

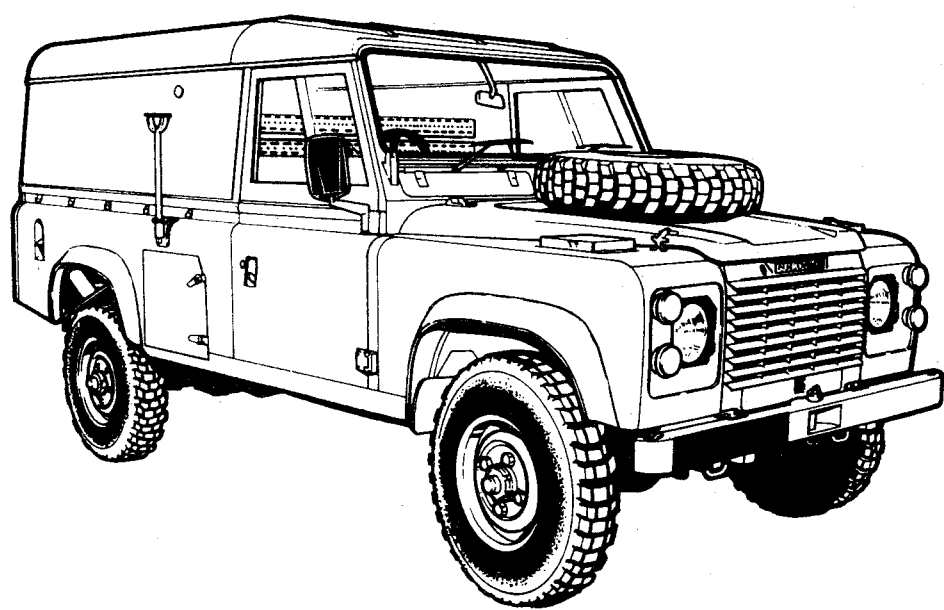
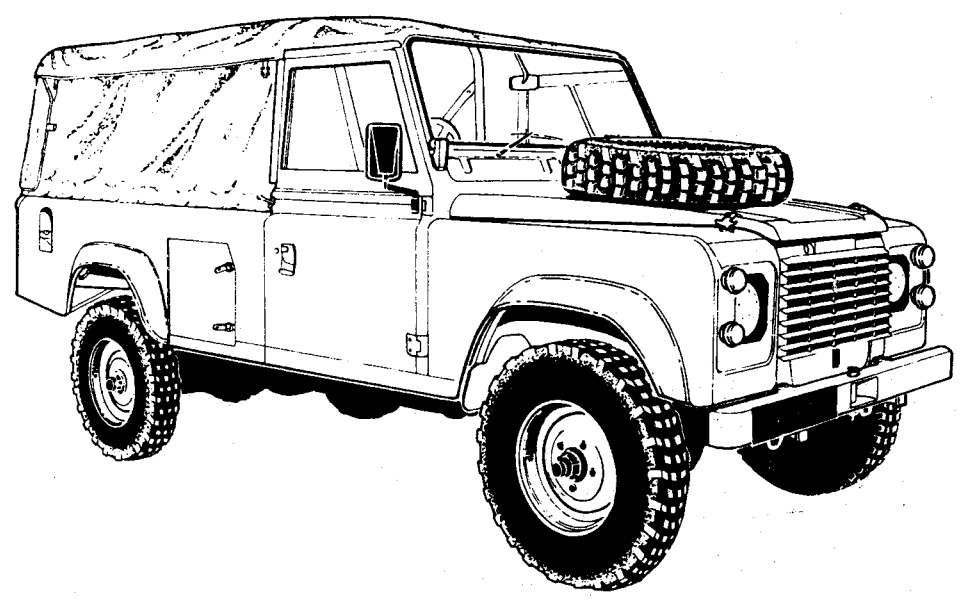


RANGE ROVER

**MILITARY LAND ROVER 110**

**2½ DIESEL 12v ~ 12/24 VOLT**

**CONTRACT No. 22A304**



**SUPPLEMENTARY  
PARTS  
CATALOGUE**

**RTC9942**

MILITARY SUPPLEMENT

CONTRACT FVE22A/304 MOD 110 VEHICLES

BUILT 1985-1986 FISCAL YEAR

This publication is to be used for Military Vehicles provided under the following contracts and used in conjunction with the Commercial Parts List RTC 9863 CC dated February 1986.

<u>ITEM</u>	<u>DESCRIPTION</u>	<u>BUILD DATE</u>	<u>REGISTRATION NO.</u>
12A	12/24V H.T (S2822B) LHD	Nov/Dec 85	79KE06-11
12B	12/24V H.T (S2821B) RHD	Nov/Dec 85	79KE12-35
13A	12V S.T (S2820A) LHD	Oct/Nov 85	79KE36-82KE06
13B	12V S.T (S2819A) RHD	Sept/Nov 85	82KE07-87KE46
14	12V S.T (S2819A) RHD	Nov 85	87KE47
15A	12V S.T (S2820A) LHD	Nov 85	87KE48-60
15B	12V S.T (S2819A) RHD	Nov 85	87KE61-63
19A	12V H.T. (S2820B) LHD	Oct 85 to Jan 86	88KE87-89KE06
19B	12V H.T. (S2819B) RHD	Oct 85 to Jan 86	89KE07-86
20A	12/24V H.T.(S2824B) LHD	Nov 85 to Jan 86	89KE87-91KE09
20B	12/24V H.T.(S2823B) RHD	Oct 85 to Jan 86	91KE10-94KE22
21	12/24V H.T.(S2823B) RHD	Dec 85	94KE23-24
22	12/24V H.T.(S2823B) RHD	Jan 86	94KE25-53
23A	12V S.T. (S2820A) LHD	Nov 85 to Jan 86	94KE54-96KE87
23B	12V S.T. (S2819A) RHD	Nov 85-Jan 86	96KE98-99KE99
			00KF01-01KF52
24	12V S.T. (S2819A) RHD	Jan 86	01KF53-62
25A	12V H.T. (S2820B) LHD	Jan 86	01KF63-72
25B	12V H.T. (S2819B) RHD	Jan 86	01KF72-02KF02
26A	12/24V H.T (S2822B) LHD )		10KF76-84
26B	12/24V H.T (S2821B) RHD )		10KF85-87
27A	12/24V H.T (S2824B) LHD )	FISCAL YEAR 1986	10KF88-13KF34
27B	12/24V H.T (S2823B) RHD )		13KF35-16KF66

NOTE: ALL 4 CYL DIESEL LAND ROVERS SUPPLIED ON THIS CONTRACT ARE FITTED WITH LOW RATIO GEARBOXES (VARIANT VC71D) REFER TO PAGE 60-61 THIS SUPPLEMENT.

ABBREVIATIONS: Standard abbreviations are employed in this supplement listed below.

ALT	Alternative
A/R	As required
ATU	Aerial turner unit
DE	Drive end
H.T.	Hard top
ILL	Illustration
KPH	Kilometres per hour
LH	Left hand
LHD	Left hand drive
MPH	Miles per hour
NEG	Negative
POS	Positive
PDWA	Pressure differential warning actuator
PU	Pick up
RE	Rotor end
RH	Right hand
RHD	Right hand drive
S.T.	Soft top
SUB	Subscale
SW	Station wagon
TF	To Follow
TUAAM	Tuner unit and aerial mast

SUPPLEMENTARY VARIANTS.

PAGE NO		ITEM NO:							
		12A 26A	12B 26B	13A 23A	13B 14 15B 23B 24	19A 25A	19B 25B	20A 27A	20B 21 22 27B
7	Engine Major Assemblies	X	X	X	X	X	X	X	X
8	VA01B Cargo Lashing Cleats	X	X	X	X	X	X	X	X
9	VA02A Small Arms Clips	X	X	X	X	X	X	X	X
10	VA03A Lashing/Recovery Shackless Front & Rear	X	X	X	X	X	X	X	X
11-18	VA35C Body Rear Lower	X	X	X	X	X	X	X	X
19	VA36E Roll Over Bar (Provisions for Radio Rack)			X	X				
20	VBO6B Rear Bumperette	X	X	X	X	X	X	X	X
21	VB19A Fire Extinguisher Bracket	X	X	X	X	X	X	X	X
22	VB23C Laminated Windscreen	X	X	X	X	X	X	X	X
23-25	VB29A Polyester/Cotton Hood - (O Drab).			X	X				
26	VB38W Safety Harness - Inertia Reel	X	X	X	X	X	X	X	X
27	VB53B Bumper with Integral Pintle & Flag Holder	X	X	X	X	X	X	X	X
28	VB54L FV Rotating Towing Pintle	X	X	X	X	X	X	X	X
29	VB58B Rear Lifting Rings	X	X	X	X	X	X	X	X
30	VB60E Two Piece Door with Sliding Windows		X		X		X		X
33	VB60F Two Piece Door with Sliding Windows	X		X		X		X	
34-39	VB62N Rear Door	X	X			X	X	X	X
40-41	VB63B Tailboard Lower			X	X				
42-44	VB64A Hard Top	X	X			X	X	X	X
45-47	VC09B M1 Braking System	X	X	X	X	X	X	X	X
48	VC18A Heater RHD			X		X			
48	VC18C Heater LHD			X		X			
49	VC18G Heater RHD		X						X
53	VC18H Heater LHD	X						X	
54	VC21B Fuel Cap - Non Locking	X	X	X	X	X	X	X	X
55	VC23A Fuel Filler - Extending Neck	X	X	X	X	X	X	X	X
56	VC25A Fuel Cap Padlock Facility	X	X	X	X	X	X	X	X
57-58	VC53E Spare Wheel On Bonnet	X	X	X	X	X	X	X	X
59	VC62A Michelin XCL 750 x 16 Tyres	X	X	X	X	X	X	X	X
60-61	VC71D Lowered 1st/2nd Speed Ratios	X	X	X	X	X	X	X	X
62	VC91B Swivel Pin Housing Gaiters	X	X	X	X	X	X	X	X
63	VC92C Prop Shaft Gaiters	X	X	X	X	X	X	X	X
64	VD03T Battery with Air Portable Caps	X	X	X	X	X	X	X	X
65-77	VD14X Add on 24 Volt Charging	X	X					X	X
73	VD15A Hazard Warning System	X	X	X	X	X	X	X	X
79-85	VD16C MOD Lighting System	X	X	X	X	X	X	X	X
86	VD18A Suppressed Wiper Motor RHD		X					X	X
87	VD18B Suppressed Wiper Motor LHD	X						X	X
88	VD28A Map Lamp	X	X	X	X	X	X	X	X
89	VD32G FV Fog Lights	X	X	X	X	X	X	X	X
90	VD37B Speedometer KPH C/W MPH Subscale	X	X	X	X	X	X	X	X
90.1	VD75D Oil Temp Gauge	X	X					X	X
91	VD87C Radio Suppression Bonding Lead	X	X					X	X
92	VE08D Thermostatic Fan Drive			X	X	X	X		
93-94	VE10A Additional Sedimentor	X	X	X	X	X	X	X	X
95-98	VE14G Oil Cooler	X	X					X	X
99	VE61D Air Intake - MOD	X	X	X	X	X	X	X	X
100	VF63A Pick & Shovel Stowage on Tailboard			X	X				
101	VF63B Pick & Shovel Stowage on Rear Door	X	X			X	X	X	X
102	VF84B Rubbing Strips - Bulkhead & Wheelboxes	X	X	X	X	X	X	X	X
103	VF85B Bonnet Catches - Series 1	X	X	X	X	X	X	X	X
104	VG09P Military Chassis Frame - 4 Cyl	X	X	X	X	X	X	X	X
105-106	VG22E Hand Speed Control RHD		X						X
107-108	VG22F Hand Speed Control LHD	X						X	
109	VG35A Windscreen Fold Down	X	X	X	X	X	X	X	X
110	VG36H Holders - Jerrycan R/LH Side	X	X	X	X	X	X	X	X
111-112	VG84B Seats 2 Front ECE 17 Black Vinyl	X	X	X	X	X	X	X	X
113	VG86G Rear Seats - 8 Persons			X	X	X	X		
114	VG87D Trim Retention Board	X	X	X	X	X	X	X	X
115	VG88D Radio Operations Seat	X	X					X	X
116	VH01J 12 Pin Trailer Socket	X	X	X	X	X	X	X	X
117	VH49A Rear Wheelbox Stiffeners	X	X	X	X	X	X	X	X
118	VW11A Additional Radio Mounting							X	X
119-120	VW12A Radio Equipment							X	X
121	VW13E Clansman Aerial Leads							X	X
122	VW39A Lock Barrels			X	X				
122	VW39B Lock Barrels	X	X			X	X	X	X
123	VW57Z Eyebrows	X	X	X	X	X	X	X	X
124	VX43D Headlamps MVEE RHD		X		X		X		X
125	VX43K Headlamp LHD	X		X		X		X	
	VX81A Astrolan Underbody	X	X	X	X	X	X	X	X
126	VZ32A Extended Axle Breathers	X	X	X	X	X	X	X	X

GENERAL DESCRIPTION

BASIC VEHICLE

110 2½ Litre Diesel.

ENGINE 12 VOLT

2½ Litre Diesel Engine of 21:1 Compression Ratio fitted with Thermostatic Fan Drive & Air Intake fully sealed.

ENGINE 12/24 VOLT

As 12 Volt with the addition of Oil Cooler; 24 Volt Alternator mounted on RH Side of Engine with Associated Bracketry; Twin Groove Crankshaft Pulley, Hand Throttle Control.

GEARBOX

Gearbox with lowered 1st & 2nd Gears.

FRONT AXLE

Basic type Axle fitted with Swivel Housing Gaiters; Breather Pipes Extended; Gaiters on Propshaft.

REAR AXLE

Basic type Axle fitted with Breather Pipes Extended; Gaiters on Propshaft.

CHASSIS

Rear Crossmember to take N.A.T.O. Towing Socket; Rotating Towing Pintle on Rear Crossmember; Rear Lifting Rings; Rear Bumperettes; Front & Rear Lashing/Recovery Shackles; Front Bumper with Integral Towing Pintle plus Flag Holder at either end.

SUSPENSION

As Basic

BRAKES

Type 80 Servo with Pressure Differential Warning Actuator (P.D.W.A.) combined with Brake Failure Warning Switch.

GENERAL DESCRIPTION - CONTINUED.

FUEL SYSTEM

As Basic (Single Rear Tank) with additional Sedimentor plus Telescopic Filler Neck and Integral Gauze for Jerrycan Fill Facility.

EXHAUST SYSTEM

As Basic.

COOLING SYSTEM

Filled with Anti-Freeze AL39 (50%).

UNDERSEAL

Astrolan Underbody Protection.

ELECTRICAL EQUIPMENT  
12 VOLT

Combined Starter/Heater Plug; Speedometer in KPH with MPH Subscale Trip Meter; Wiring Harness to suit Military Lighting; Head Side & Turn Light to M.V.E.E. requirements; Convoy Lamp mounted under of vehicle; Inspection Light Sockets mounted on 6 Way Switch Panel; Map Light mounted on Passenger Side; Battery Low Maintenance with Vyon Guard Filler Caps.

ELECTRICAL EQUIPMENT  
12/24 VOLT

As 12 Volt with the addition of Wiring Harness to suit 24 Volt Supply; 24 Volt Auxiliary Charge Warning Light; Suppressed Wiper Motor & Heater; Radio Table/Battery Box/Equipment Rack mounted in Rear Body; Battery Box for four Batteries; Small Arms Clip; Aerial Leads & Aerial Masts; Radio Operators Seat.

BODY ITEMS

One Piece Laminated Windscreen; Sliding Door Glass Toughened; Fire Extinguisher mounted in Passenger Footwell; Jerrycan Stowage in each Bodyside for 4 Jerrycans; Stowage on rear of vehicles for Shovel, Pickhead & Helve; Spare Wheel mounted on Bonnet.

GENERAL DESCRIPTION CONTINUED

BODY COLOUR

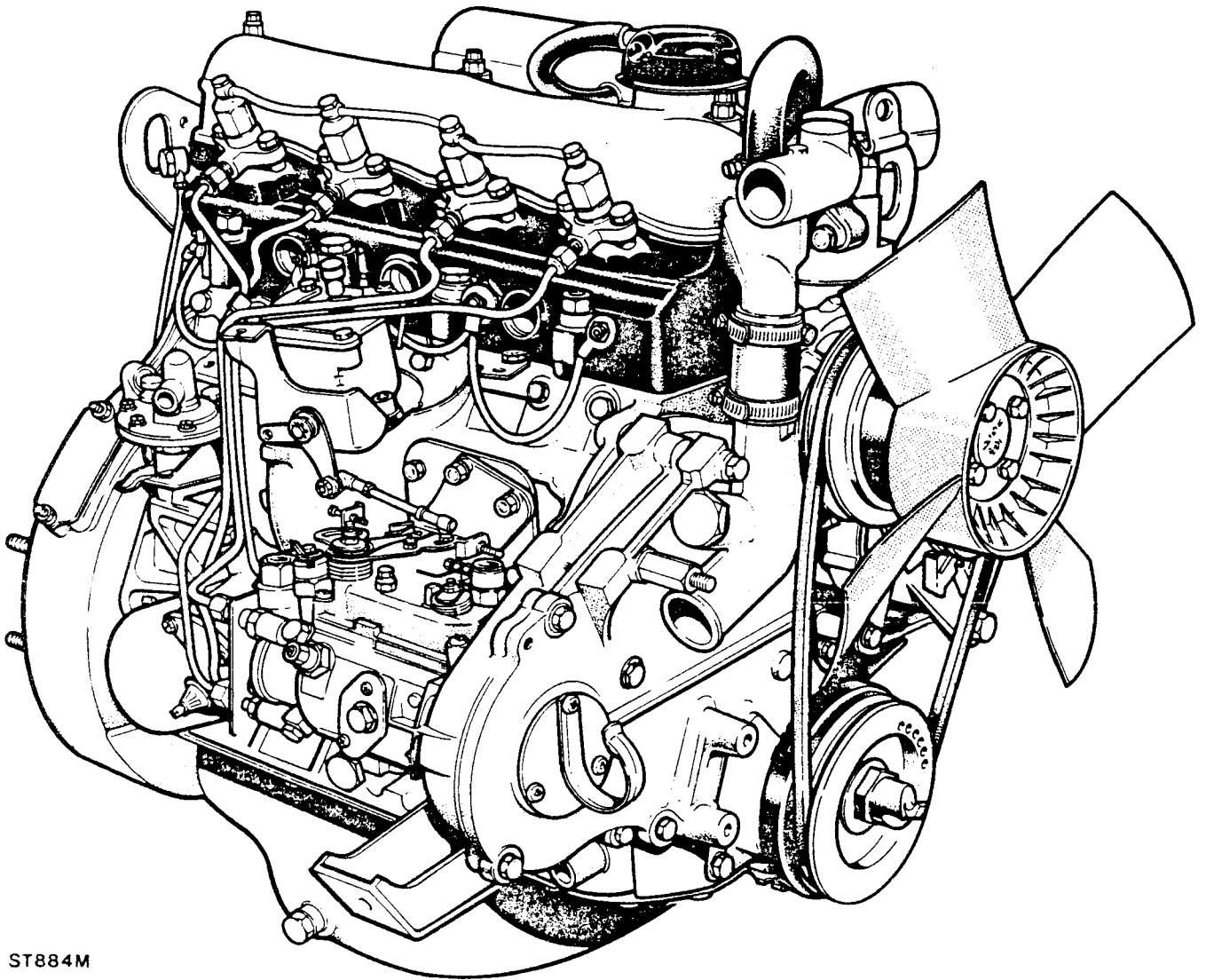
N.A.T.O Green.

HOOD

Olive/Drab Detachable Hood with Roll Up Rear Curtain; Front Hood Stick replaced by Roll Overbar.

TRIM

Black Vinyl.



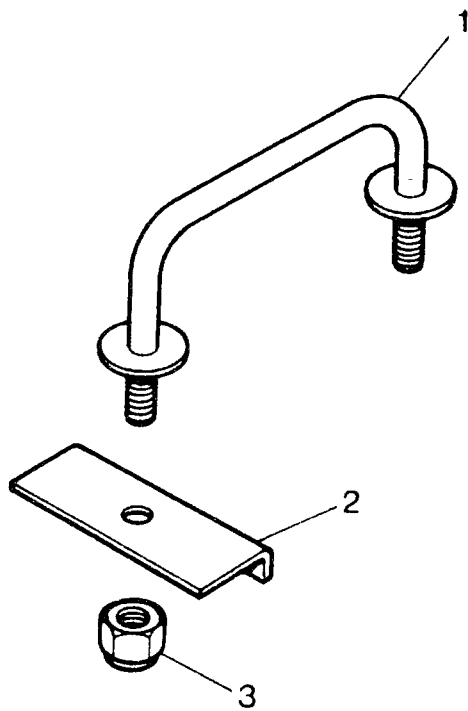
ST884M



ENGINE - MAJOR ASSEMBLIES

ILL	PART NO	DESCRIPTION	QTY	REMARKS
1	PUB2013	Engine & Clutch Assembly 12 Volt Complete with Ancillaries	1	
2	RTC4676	Engine & Clutch Assembly 12/24 Volt Complete with Ancillaries	1	

VA 01B  
CARGO LASHING CLEATS



TS 6130

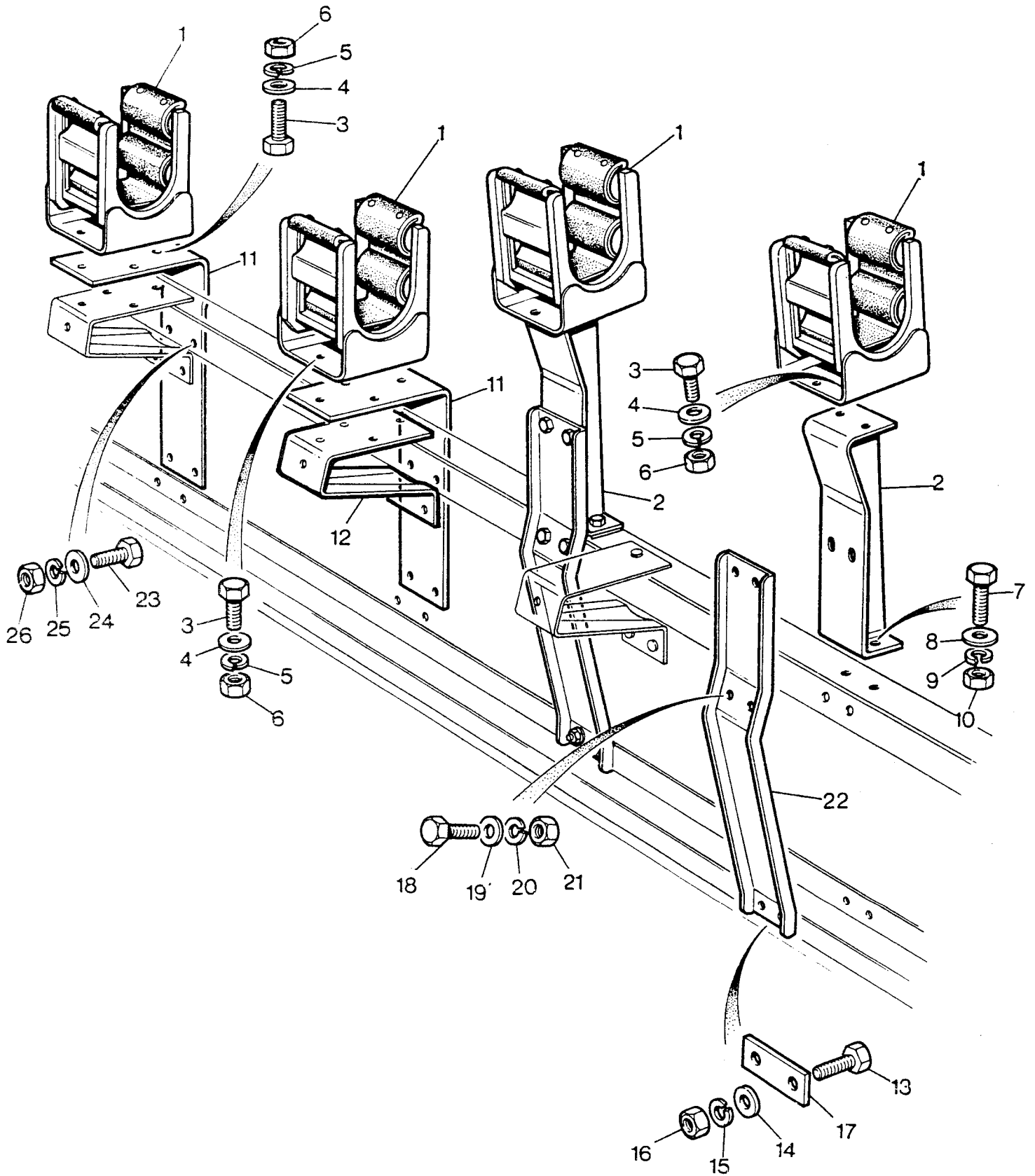
MODEL LAND ROVER  
BLOCK TS 6130

VARIANT VA 01C

BODY - CARGO LASHING CLEATS

ILL	PART NO	DESCRIPTION	QTY	REMARKS
1	RRC3588	Lashing Cleat	12	
2	RRC3674	Angle Plate	24	
3	NY106041L	Locknut	24	

VA 02A  
SMALL ARMS CLIP

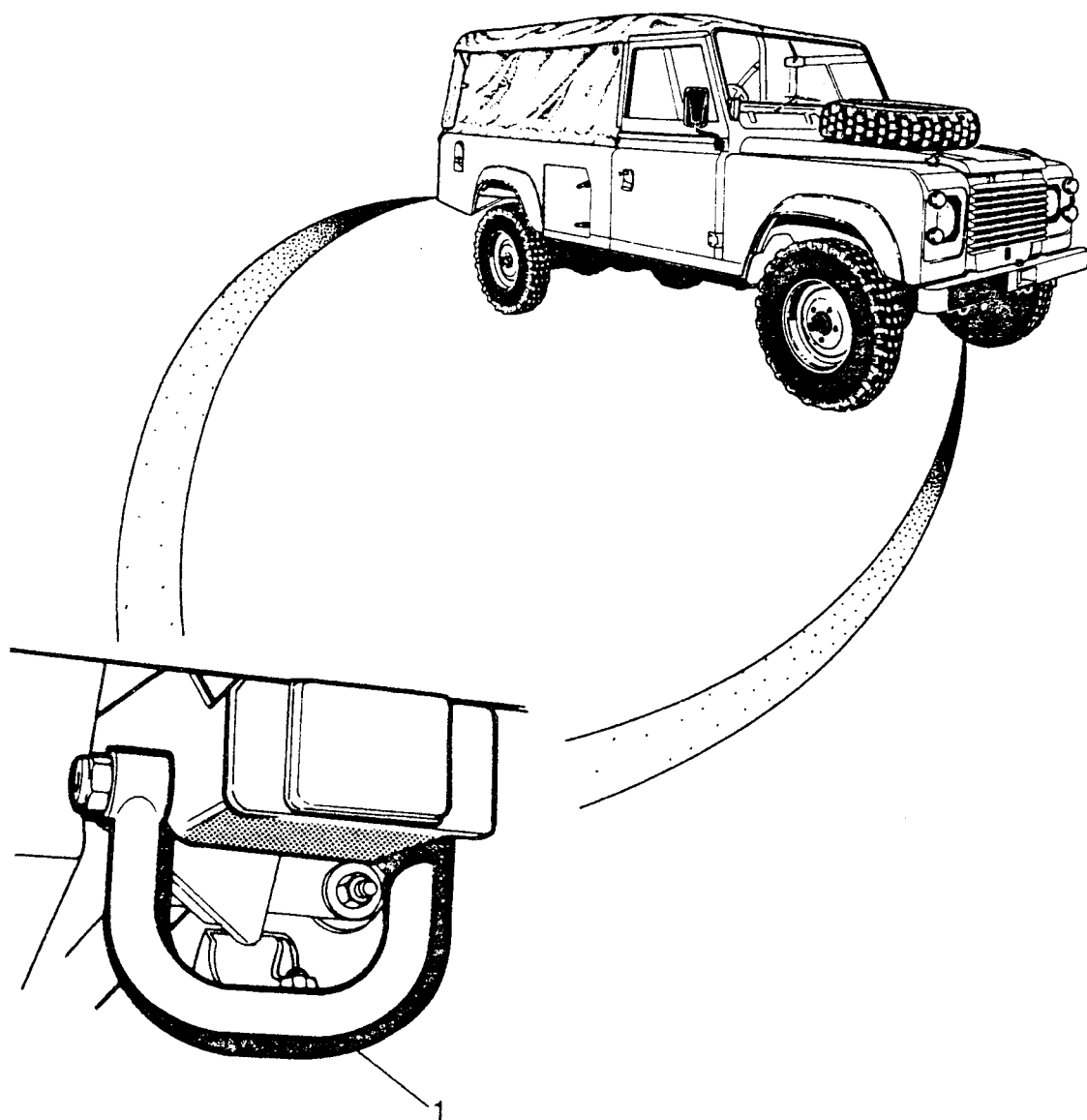


VS 375,

BODY - SMALL ARMS CLIP

ILL	PART NO	DESCRIPTION	QTY	REMARKS
1	348943	Small Arms Clip	4	
2	348931	Mounting Bracket	2	
3	SH105121L	Screw )Fixing Small Arms	12	
4	WA106041L	Washer Plain )Clip to Mounting	12	
5	WL106001L	Washer Spring)Brackets	12	
6	NH106041L	Nut )	12	
7	SH106251L	Screw )Fixing Mounting	4	
8	WA105001L	Washer Plain )Brkts to Top	4	
9	WL105001L	Washer Spring )Capping	4	
10	NH105041L	Nut )	4	
11	MRC6860	Reinforcment Angle Bracket	2	
12	MRC6867	Squab Buffer Bracket	2	
13	SH105161L	Screw )Fixing Angle Brkt	6	
14	WA105001L	Washer Plain )& Buffer Bracket	6	
15	WL105001L	Washer Spring)to Bulkhead	6	
16	NH105041L	Nut )	6	
17	MRC6635	Reinforcement Plate	4	
18	SH106161L	Screw )Fixing Reinforce-	6	
19	WA106041L	Washer Plain )ment Plate and	6	
20	WL106001L	Washer Spring)Reinforcement Brkt	6	
21	NH106041L	Nut )to Bulkhead	6	
22	MRC6634	Reinforcement Bracket	2	
23	SH106161L	Screw )Fixing Reinforce-	4	
24	WA106041L	Washer Plain )ment Brkt to	4	
25	WL106001L	Washer Spring)Mounting Bracket	4	
26	NH106041L	Nut )	4	
	348430	Stud Seat Retaining Strap	2	
	WA105001L	Washer Plain )Fixing	2	
	WL105001L	Washer Spring)Seat Stud	2	
	NH105041L	Nut )	2	

VA 03A  
LIFTING & LASHING RINGS



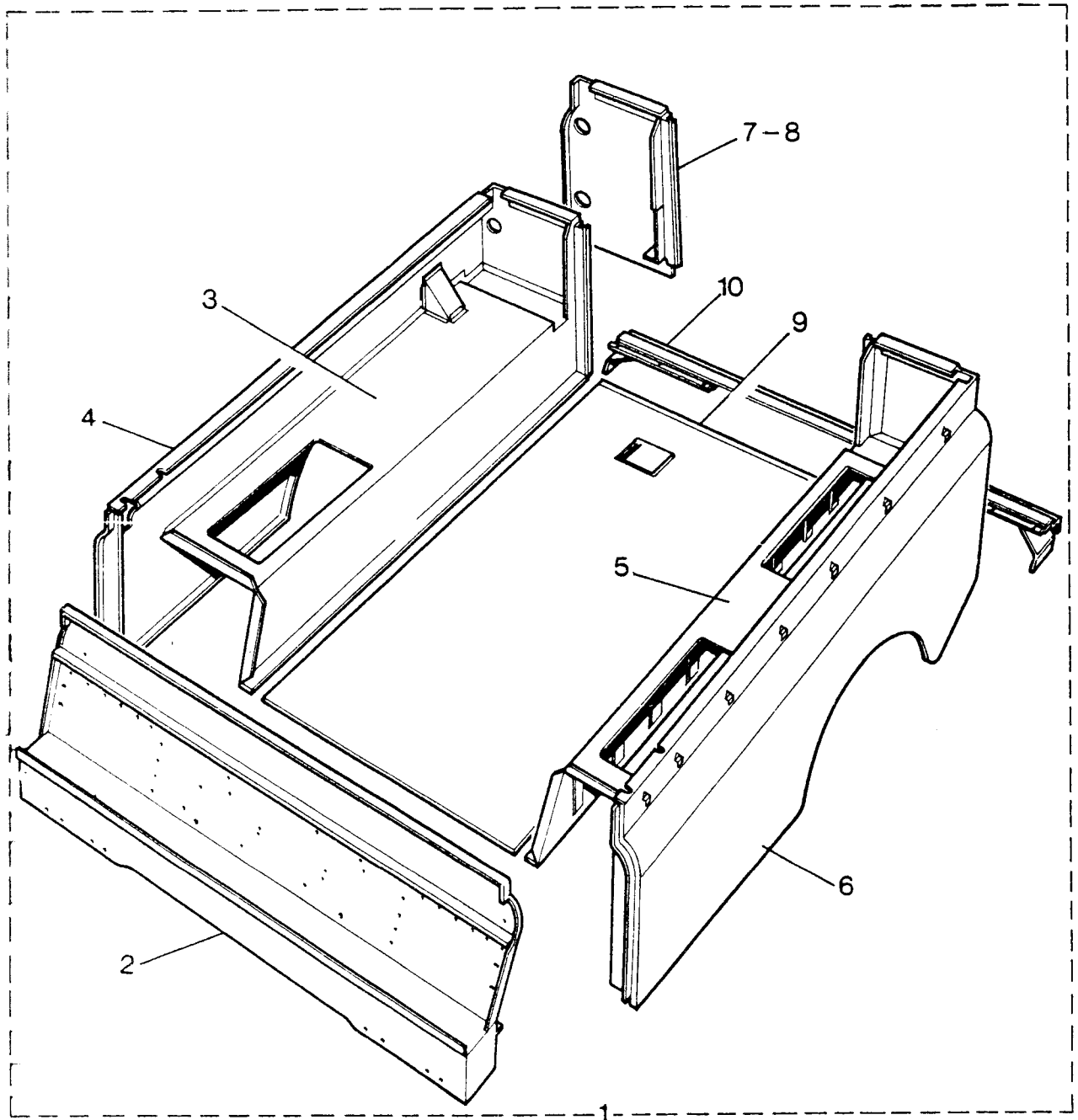
TS 6131

MODEL LAND ROVER  
BLOCK TS6131  
VARIANT VA 03A

BODY - LIFTING & LASHING RINGS

ILL	PART NO	DESCRIPTION	QTY	REMARKS
1	RRC3237	Lifting & Lashing Rings	4	
	BH110281L	Bolt )Fixing Lifting & Lashing	4	
	WC110061L	Spacer)Ring	4	
	NY110041L	Nut )	4	

VA 35C  
REAR LOWER BODY



VS 3860

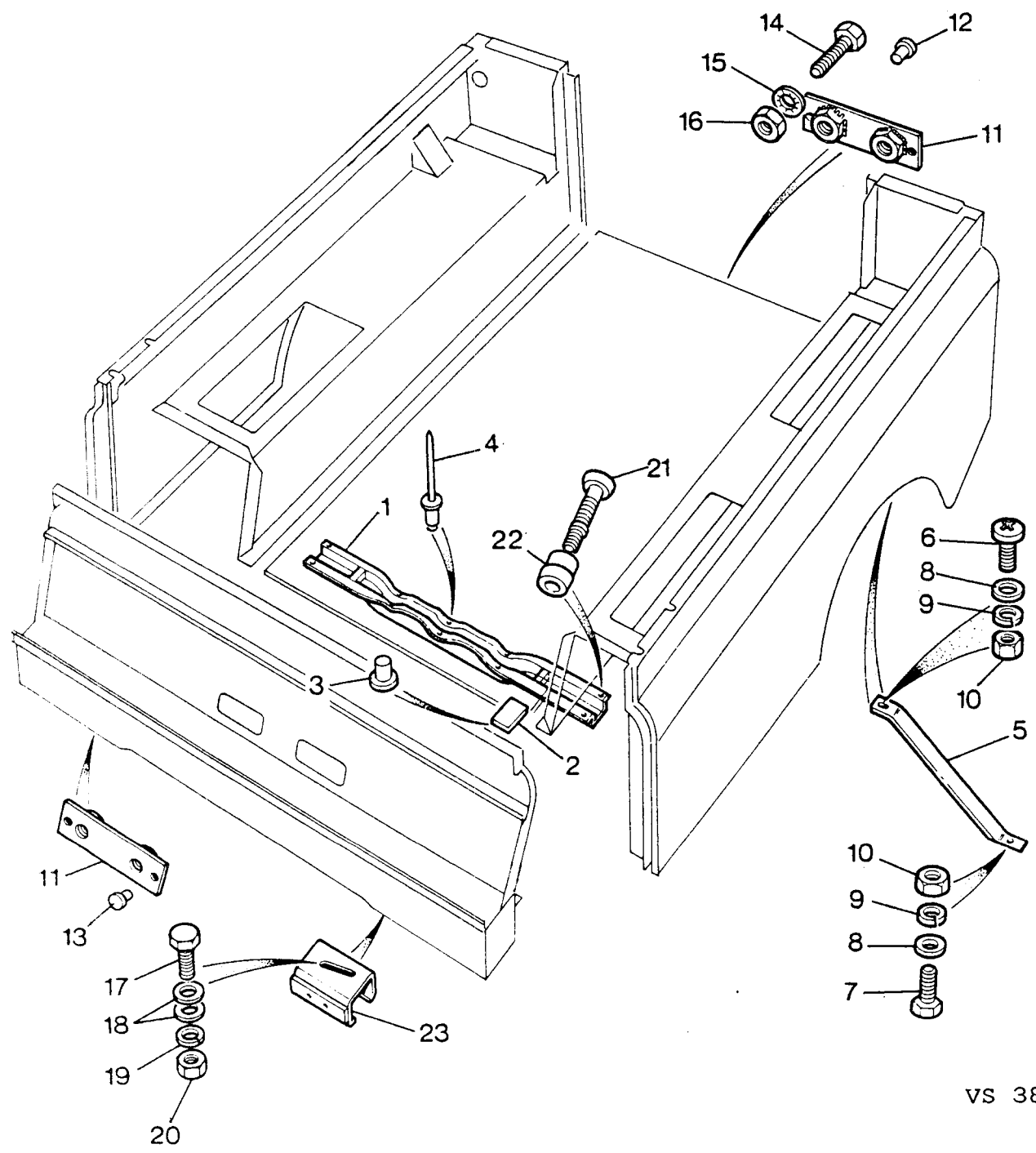


MODEL LAND ROVER  
BLOCK VS 3860  
VARIANT VA 35C

BODY - REAR LOWER BODY

ILL	PART NO	DESCRIPTION	QTY	REMARKS
1	MUC3958	Rear Body Complete Assembly	1	
2	MTC8983	Front Panel Assembly	1	
3	MUC3964	Bodyside Assembly RH	1	
4	MUC3302	Bodyside Panel RH	1	
5	MUC3963	Bodyside Assembly LH	1	
6	MUC3303	Bodyside Panel LH	1	
7	MTC7980	Rear End Panel RH	1	
8	MTC7981	Rear End Panel LH	1	
9	MUC3962	Floor Plate	1	
10	330271	Rear Mounting Angle	1	
	RU612253L	Pop Rivet	A/R	
	RU612373L	Pop Rivet	A/R	

VA 35C  
REAR LOWER BODY

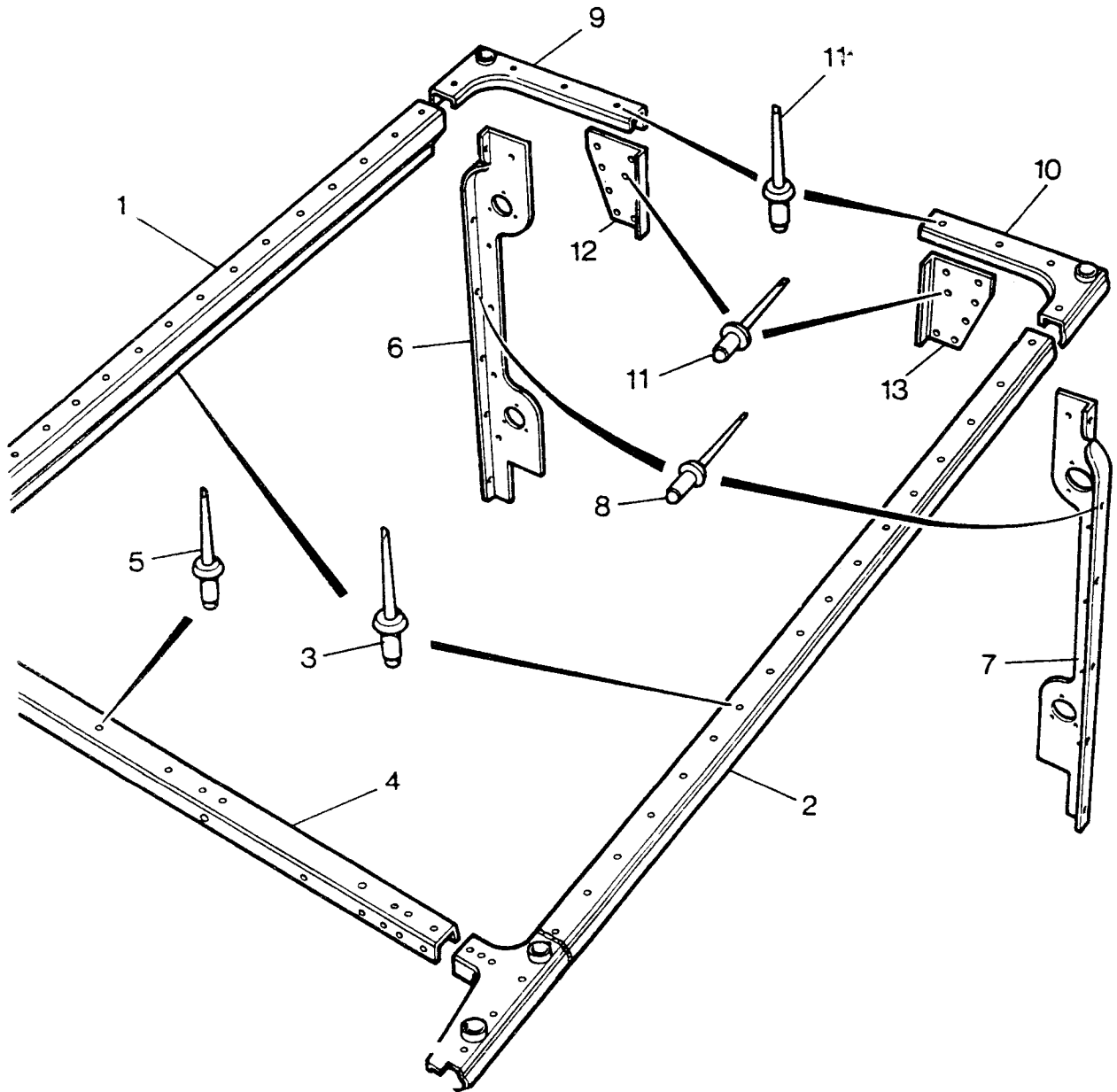


VS 3867C

BODY - REAR LOWER BODY

ILL	PART NO	DESCRIPTION	QTY	REMARKS
1	MUC8949	Crossmember Assembly	6	
2	332582	Mounting Pad	12	
3	RU612373L	Pop Rivet-Fixing Pad to Crossmbr	24	
4	RU612253	Pop Rivet-Crossmember to Floor	36	
5	MRC6027	Stay RH) Bodyside to Floor	1	
	MRC6028	Stay LH) Bodyside to Floor	1	
6	SE106201L	Screw-Stay to Floor	2	
7	SH106201L	Screw-Stay to Wing	2	
8	WA106041L	Washer Plain )	4	
9	WL106001L	Washer Spring) Fixing Stay	4	
10	NH106041L	Nut )	4	
11	MRC8736	Nut Plate	7	
12	RB610082	Pop Rivet-Nut Plate to Rear Mounting Angle	6	
13	RU612253L	Pop Rivet-Nut Plate to Front Panel	8	
14	SX108251	Screw )Body to	8	
15	WF600051L	Washer-Shakeproof)Chassis at	14	
16	NH108041L	Nut )Rear	14	
17	SH108201L	Screw )	4	
18	WA108051L	Washer Plain )Fixing Front Panel	8	
19	WL108001L	Washer Spring)to Bracket	4	
20	NH108041L	Nut )	4	
	SH108201L	Screw )Fixing Front Mtg	8	
	WA108051L	Washer Plain )Member to Chassis	8	
	WL108001L	Washer Spring )	8	
	NH108041L	Nut )	8	
21	79283	Pin ) Fixing Crossmemeber	24	
22	79289	Collar ) Assembly	24	
23	MTC3046	Mounting Bracket Front Panel to Chassis	2	

VA 35C  
REAR LOWER BODY

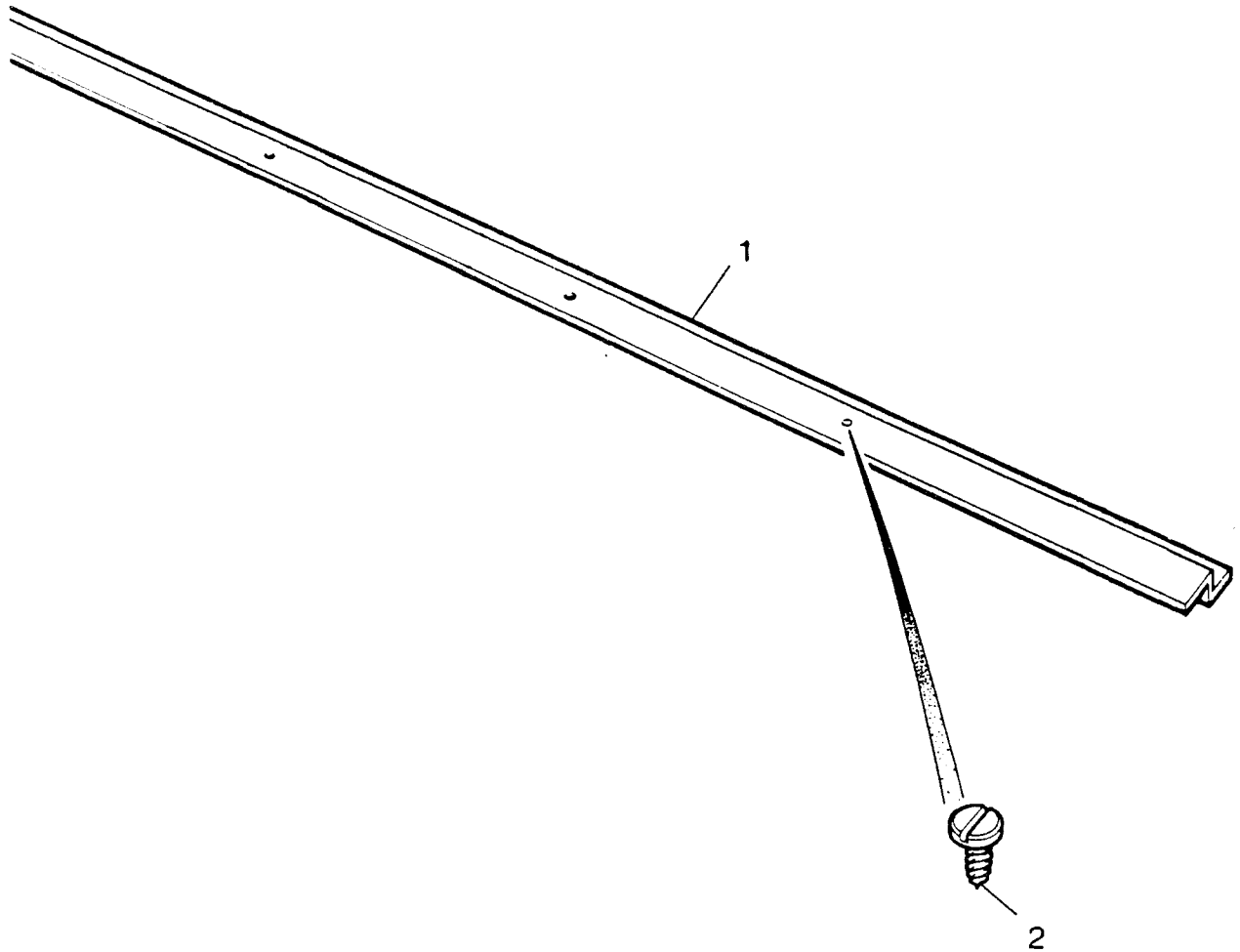


VS 386...

MODEL LAND ROVER  
BLOCK VS 3865A  
VARIANT VA 35C

BODY - REAR LOWER BODY

ILL	PART NO	DESCRIPTION	QTY	REMARKS
1	MTC5172	Top Capping RH	1	
2	MTC5171	Top Capping LH	1	
3	612253	Pop Rivet	5	
4	330245	Capping-Front Panel	1	
5	RA612373L	Pop Rivet	39	
6	MTC2134	Protection Angle Rear RH	1	
7	MTC2135	Protection Angle Rear LH	1	
8	RU612253L	Pop Rivet	22	
9	330315	Rear Corner Capping RH	1	
10	330316	Rear Corner Capping LH	1	
11	RA612273L	Pop Rivet	A/R	
12	330238	Rear Corner Bracket RH	1	
13	330237	Rear Corner Bracket LH	1	

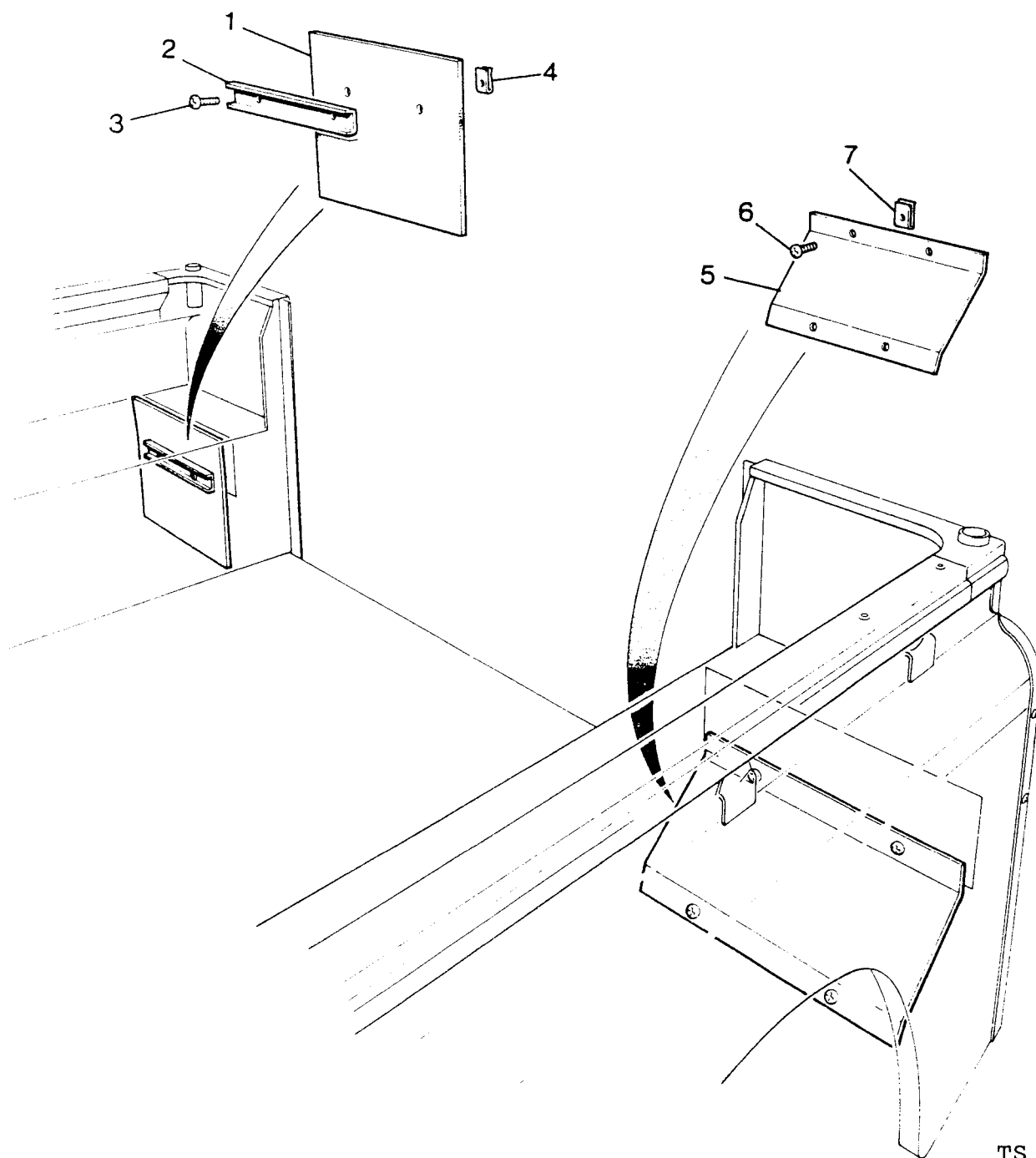


MODEL LAND ROVER  
BLOCK VS 3937A  
VARIANT VA 35C

BODY - REAR LOWER BODY

ILL	PART NO	DESCRIPTION	QTY	REMARKS
1	330145	Protection Strip Floor	1	
2	AB606041L	Drive Screw	7	

VA 35C  
REAR LOWER BODY



TS 5177

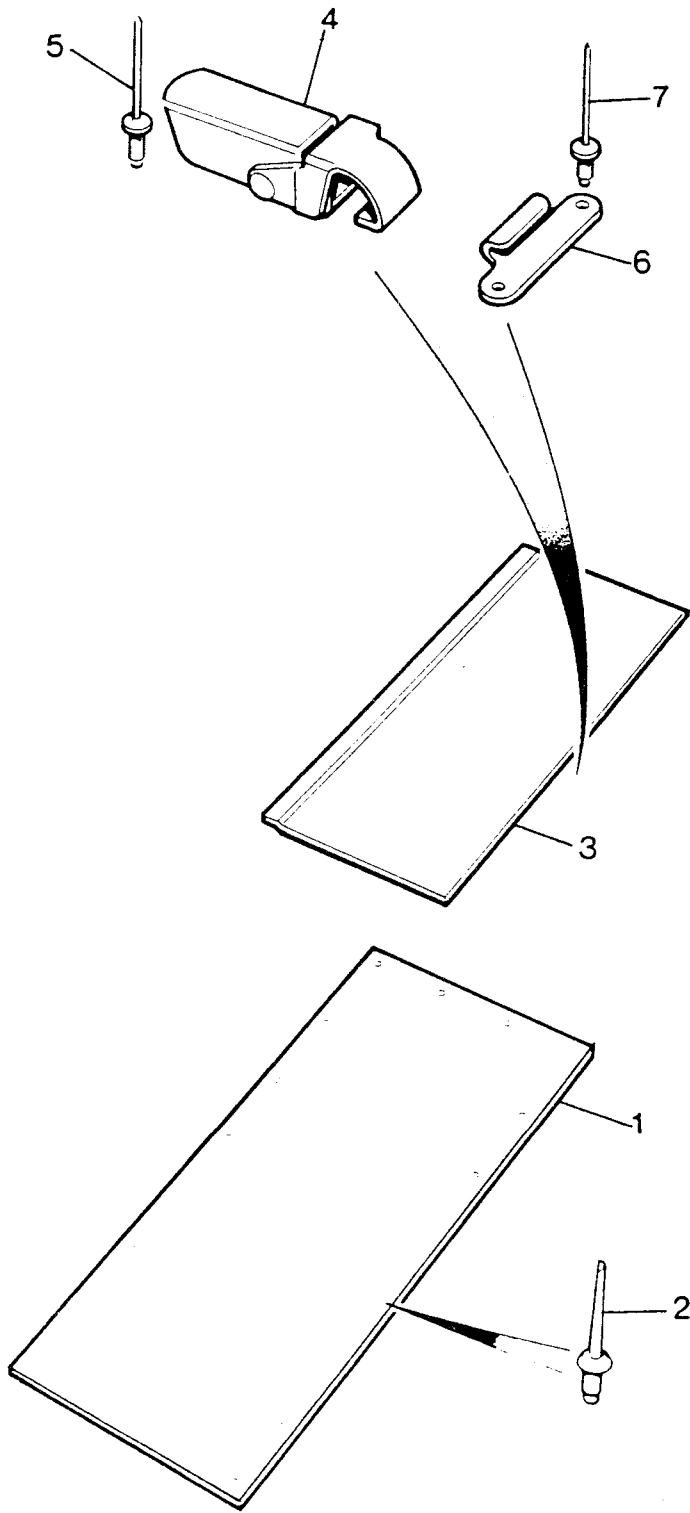


MODEL LAND ROVER  
BLOCK TS 5177  
VARIANT VA 35C

BODY - REAR LOWER BODY

ILL	PART NO	DESCRIPTION	QTY	REMARKS
1	MTC7861	Mudshield Rear Lamps	1	
2	MTC3509	Channel-Fixing Mudshield	1	
3	AR610051L	Screw ) Fixing Channel To	2	
4	AK610021L	Spire Nut ) Mudshield	2	
5	MRC8094	Protection Plate LH	1	
6	AR610051L	Screw ) Fixing Protection	4	
7	AK610021L	Spire Nut ) Plate	4	

VA 35C  
REAR LOWER BODY



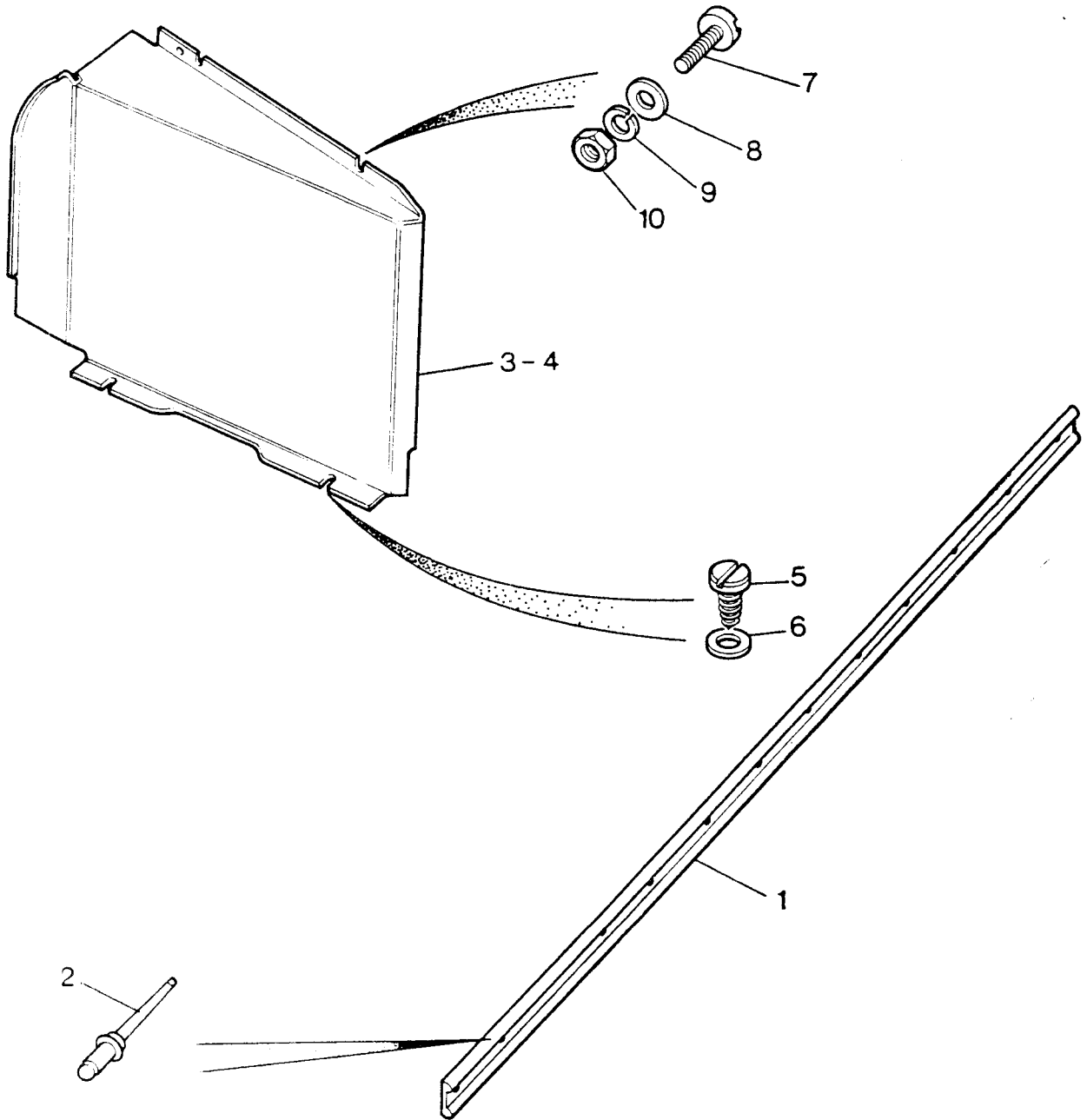
TS 5133A

MODEL LAND ROVER  
BLOCK TS 5133A  
VARIANT VA 35C

BODY - REAR LOWER BODY

ILL	PART NO	DESCRIPTION	QTY	REMARKS
1	330616	Cover Plate Wheelarch	1	
2	RU612253L	Pop Rivet	16	
3	MRC9627	Locker Lid Complete	1	
4	MRC8388	Catch Locker Lid	1	
5	RA608236L	Pop Rivet-Fixing Catch Locker	2	
6	MRC9632	Hook for Locker Lid Catch	1	
7	RA608236L	Pop Rivet-Fixing Hook	2	

VA 35C  
REAR LOWER BODY



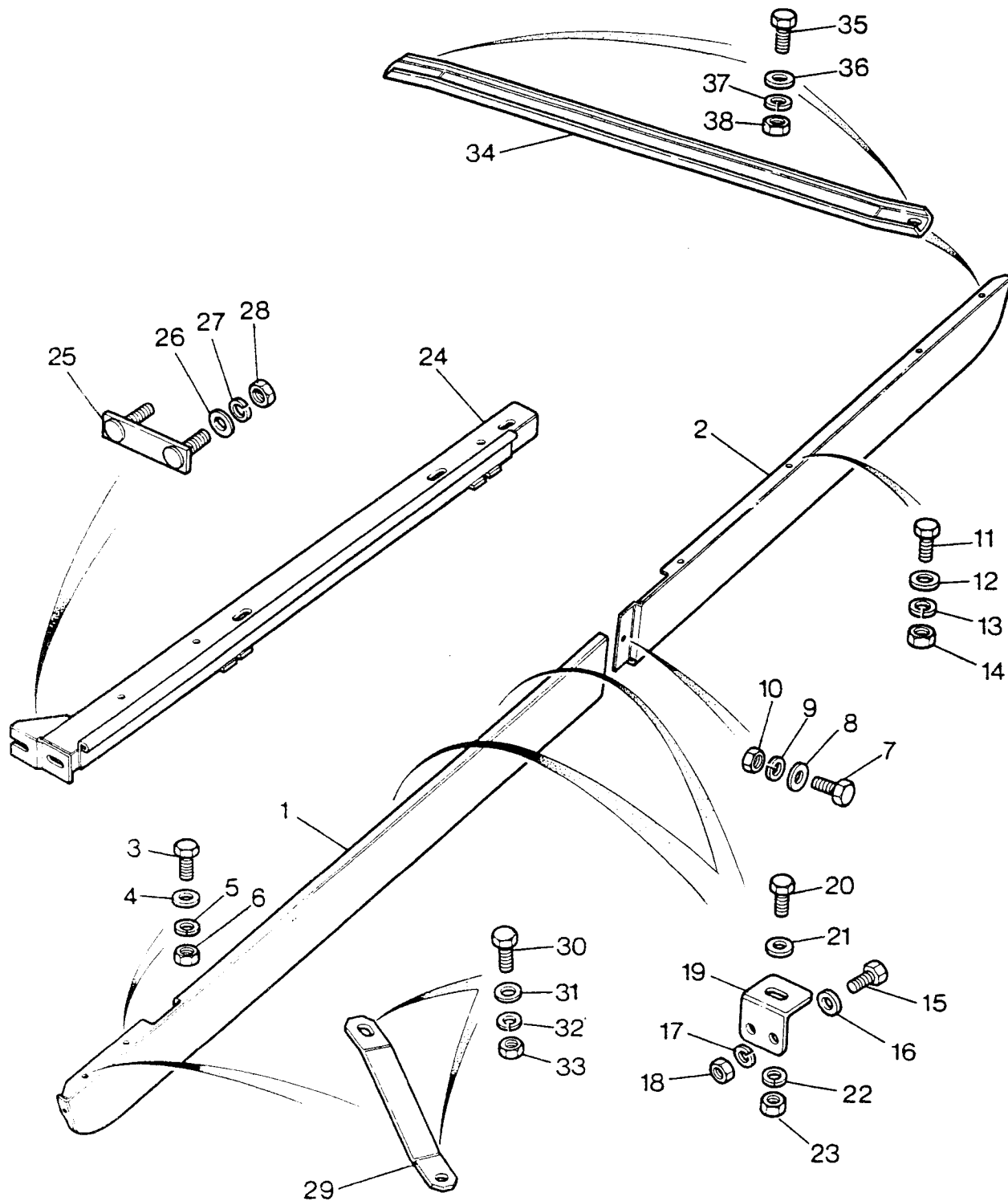
TS 5179

MODEL LAND ROVER  
BLOCK TS 5179  
VARIANT VA 35C

BODY - REAR LOWER BODY

ILL	PART NO	DESCRIPTION	QTY	REMARKS
1	330615	Tread Plate	5	
2	RU612253L	Pop Rivet	39	
3	MTC7878	Cover Panel Rear Lamp RH	1	
4	MTC7879	Cover Panel Rear Lamp LH	1	
5	AB608031L	Drive Screw )Fixing Cover Panel	4	
6	WC105001L	Washer Plain)To Floor	4	
7	SP105121	Screw )	4	
8	WC105001L	Washer Plain )Fixing Cover Panel	4	
9	WL105001L	Washer Spring)To Rear Body	4	
10	NM105011	Nut	4	

VA 35C  
REAR LOWER BODY

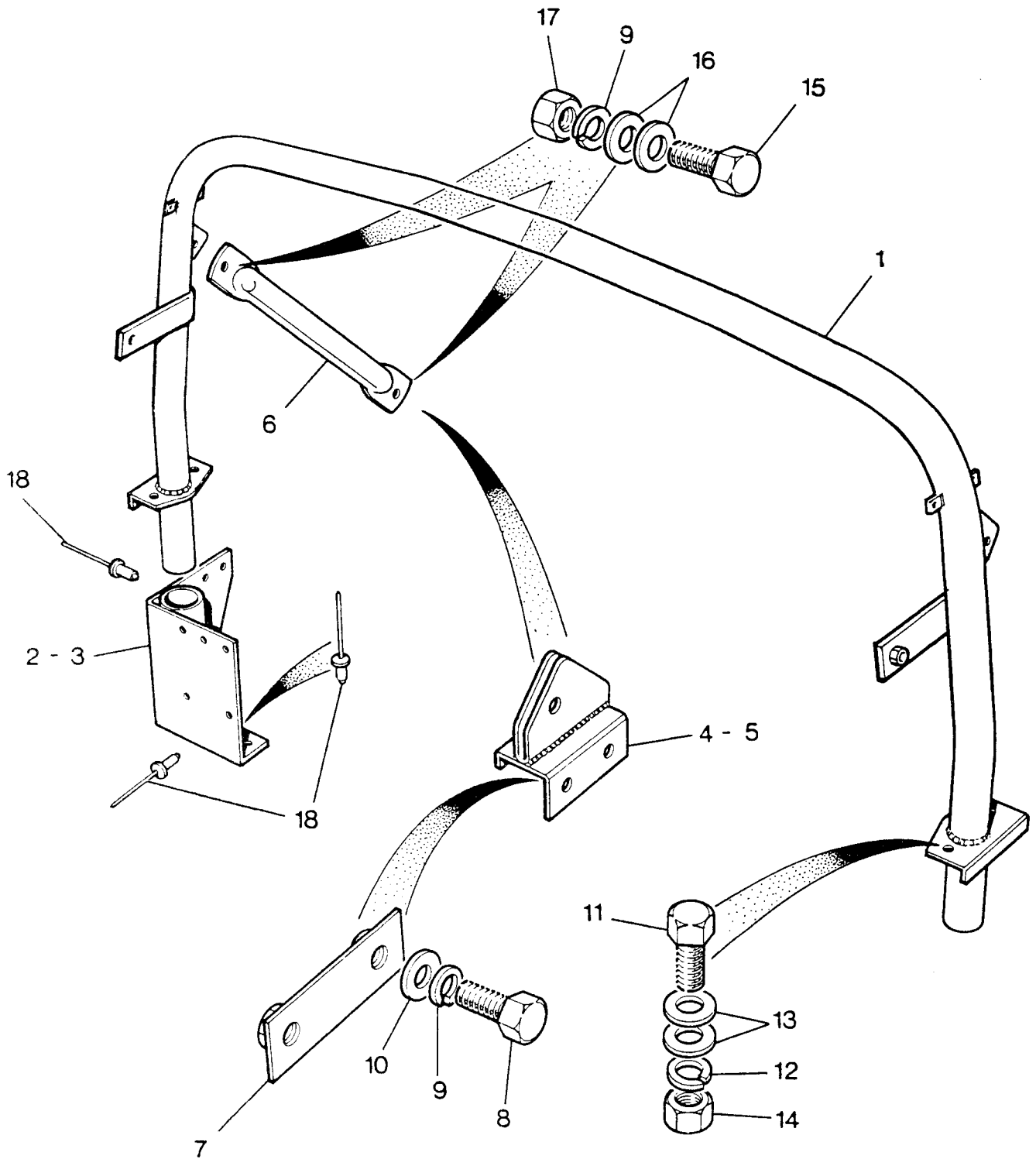


VS 3811

BODY - REAR LOWER BODY

ILL	PART NO	DESCRIPTION	QTY	REMARKS
1	MRC4981	Sill Panel Front RH	1	
	MRC4982	Sill Panel Front LH	1	
2	MRC5049	Sill Panel Rear RH	1	
	MRC5050	Sill Panel Rear LH	1	
3	SH106161L	Bolt-Front Sill Panel to Wing Outer Panel	4	
4	MTC5525	Plain Washer	8	
5	WL106001L	Spring Washer	4	
6	NH106041L	Nut	4	
7	SH106161L	Bolt-Front to Rear Sill Panel	2	
8	RTC609	Plain Washer	4	
9	WM106001L	Spring Washer	2	
10	NH106041L	Nut	2	
11	SH106161L	Bolt-Rear Sill Panel	14	
12	RTC609	Plain Washer	12	
13	WM106001L	Spring Washer	6	
14	NH106041L	Nut	14	
15	SH106161L	Bolt-Sill Panel to Channel Brkt	4	
16	RTC609	Plain Washer	8	
17	WM106001L	Spring Washer	4	
18	NH106041L	Nut	4	
19	MRC9438	Bracket	4	
20	SH106201L	Bolt-Bracket to Sill Channel	4	
21	AFU1069	Plain Washer	8	
22	WL106001L	Spring Washer	4	
23	NH106041L	Nut	4	
24	MRC9904	Sill Channel RH	1	
	MRC9905	Sill Channel LH	1	
25	MRC2481	Bolt Plate-Sill Channel to Dash	2	
26	RTC601	Plain Washer	4	
27	WM600051L	Spring Washer	4	
28	NH605041L	Nut	4	
29	MRC5153	Front Stay	2	
30	SH106161L	Bolt-Front Stay	4	
31	WA106041L	Plain Washer	4	
32	WL106001L	Spring Washer	4	
33	NH106041L	Nut	4	
34	MRC6019	Centre Stay	2	
35	SH106161L	Bolt	4	
36	WA106041L	Plain Washer	4	
37	WL106001L	Spring Washer	4	
38	NH106041L	Nut	4	

VA 36E  
ROLL OVER BAR



TS 5407

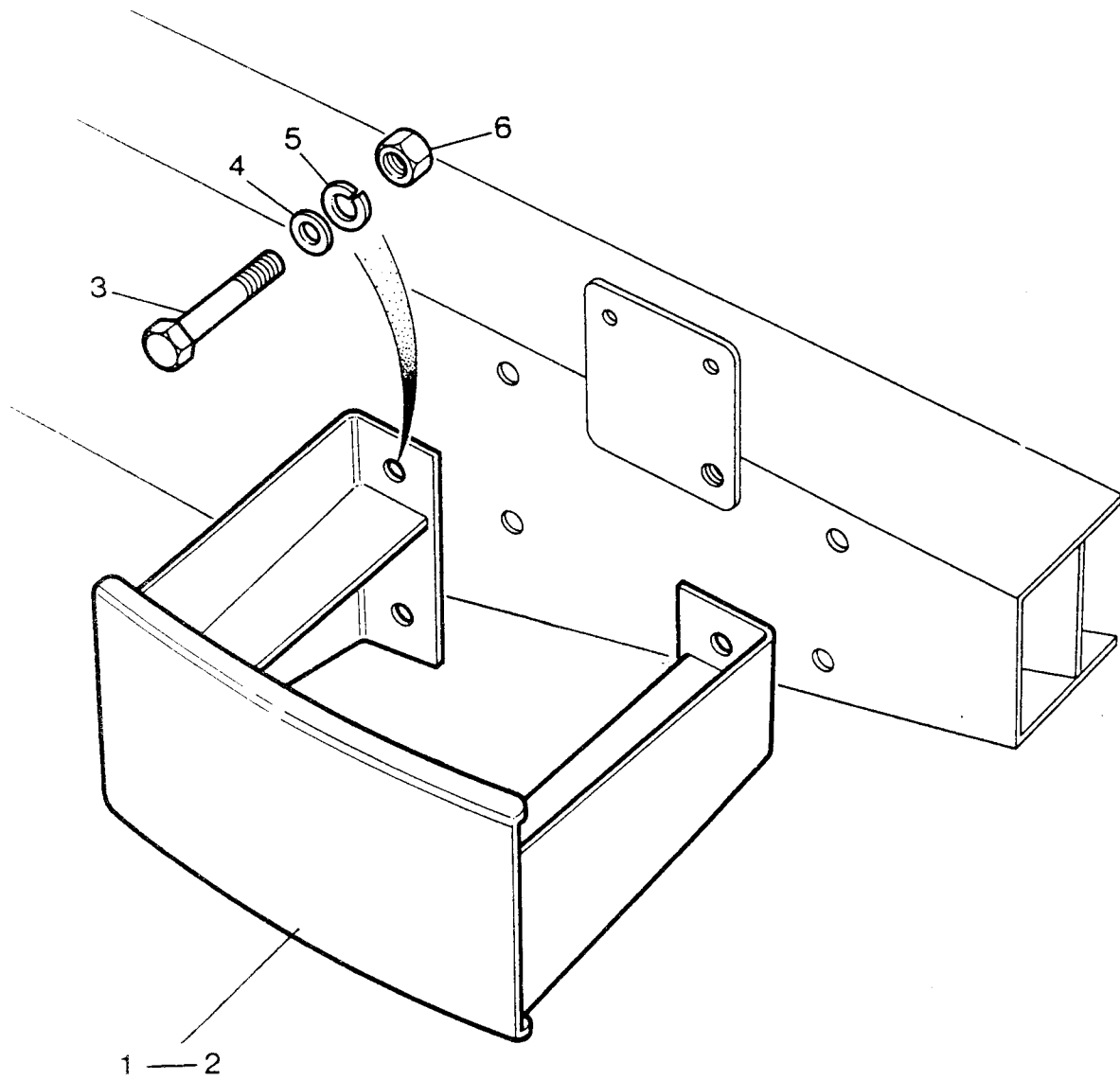


MODEL LAND ROVER  
 BLOCK TS 5407  
 VARIANT VA 36E

BODY - ROLL OVER BAR

ILL	PART NO	DESCRIPTION	QTY	REMARKS
1	RRC3574	Roll Over Bar	1	
2	RRC2922	Support Bracket RH	1	
3	RRC2921	Support Bracket LH	1	
4	RRC2919	Stay Bracket LH	1	
5	RRC2920	Stay Bracket RH	1	
6	MTC5516	Rear Stay	2	
7	MTC5519	Nut Plate-Fixing Stay Bracket	2	
8	SH110201L	Screw ) Fixing Stay	4	
9	WL110001L	Washer Spring) Bracket to	4	
10	WA110061L	Washer Plain ) Bodyside	4	
11	SH108201L	Screw )Fixing Roll Bar	4	
12	WL108001L	Washer Spring )to Bodyside	4	
13	WA108051L	Washer Plain )	4	
14	NH108041L	Nut )	4	
15	SH110301L	Screw ) Fixing Rear	8	
16	WA110061L	Washer Spring) Stay	4	
17	NH110041L	Nut )	4	
18	RA612207L	Pop Rivet-Fixing Support Bracket to Body	24	

VB 06B  
REAR BUMPERETTES



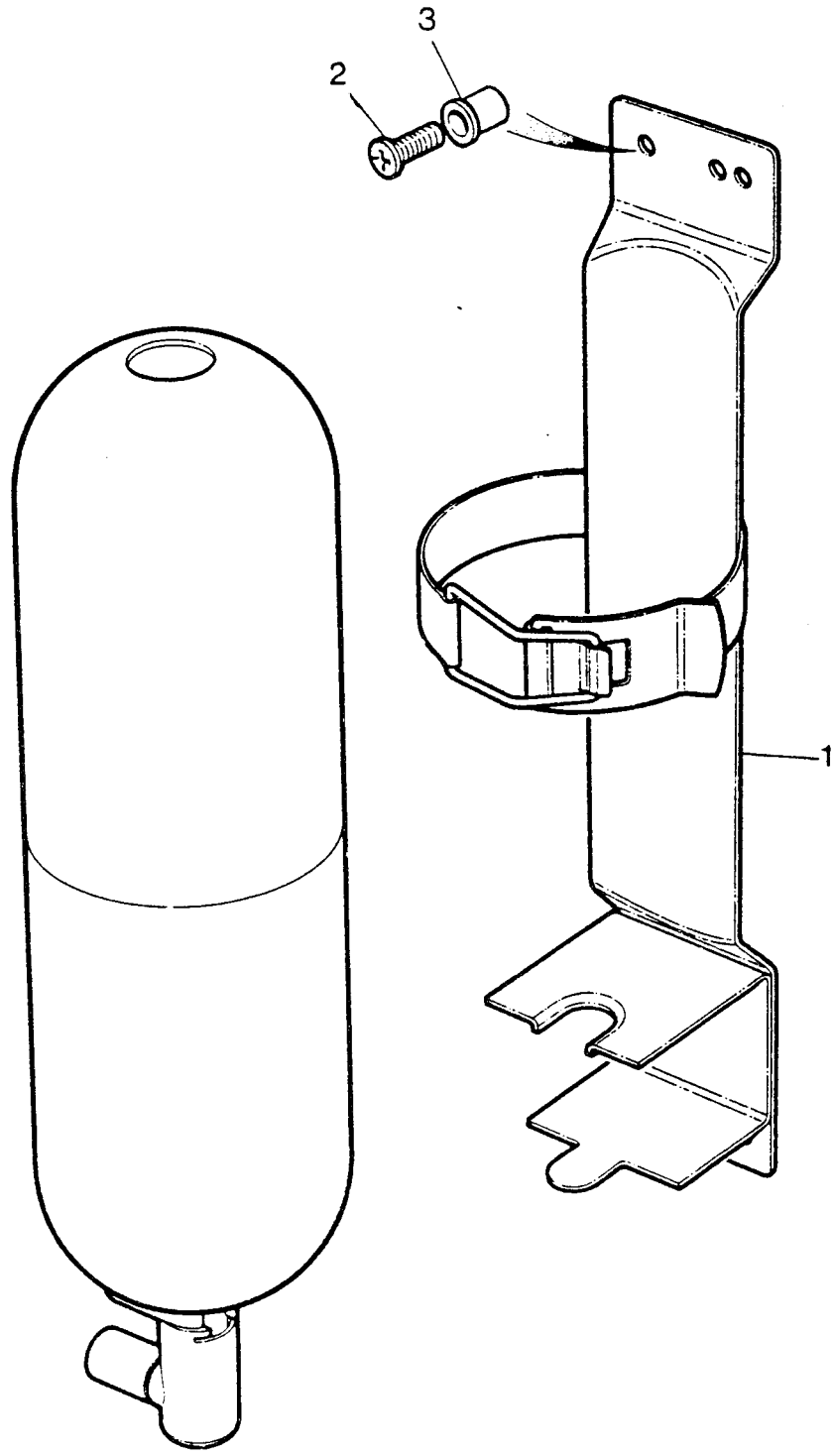
TS 5130A

MODEL LAND ROVER  
BLOCK TS 5130A  
VARIANT VB 06B

BODY - REAR BUMPERETTES

ILL	PART NO	DESCRIPTION	QTY	REMARKS
1	NRC4708	Bumperette-RH	1	
2	NRC4709	Bumperette-LH	1	
3	BH110141L	Bolt )Fixing Bumperette	8	
4	WA110061L	Washer Plain )to Rear	8	
5	WL110001L	Washer Spring)Crossmember	8	
6	NH110041L	Nut )	8	

VB 19A  
FIRE EXTINGUISHER BRACKET

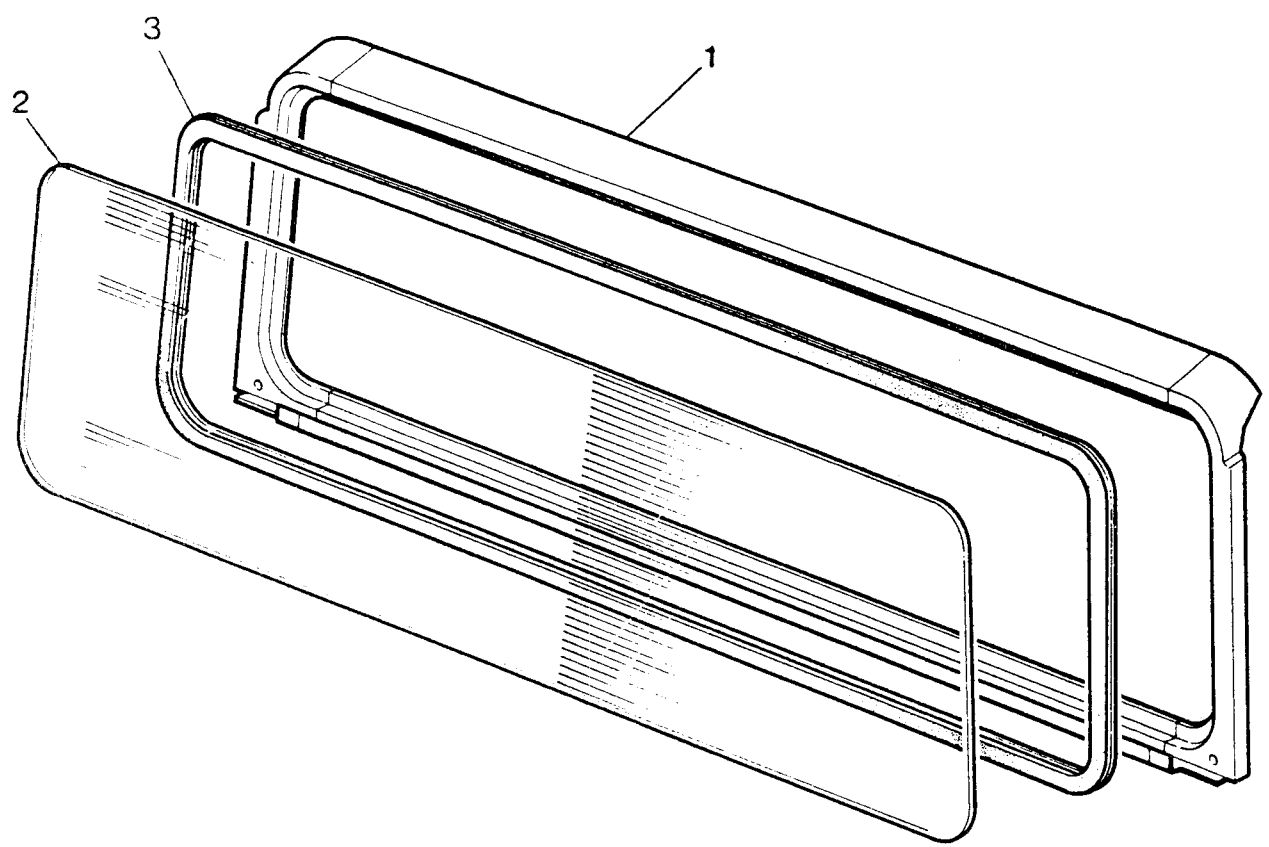


VS3500

MODEL LAND ROVER  
BLOCK VS 3500  
VARIANT VB 19A

BODY - FIRE EXTINGUISHER BRACKET

ILL	PART NO	DESCRIPTION	QTY	REMARKS
1		Bracket Fire Extinguisher	1	)Embodiment )Loan
2	MM105301	Riv Nut)	4	
3	SF106161L	Screw )	4	

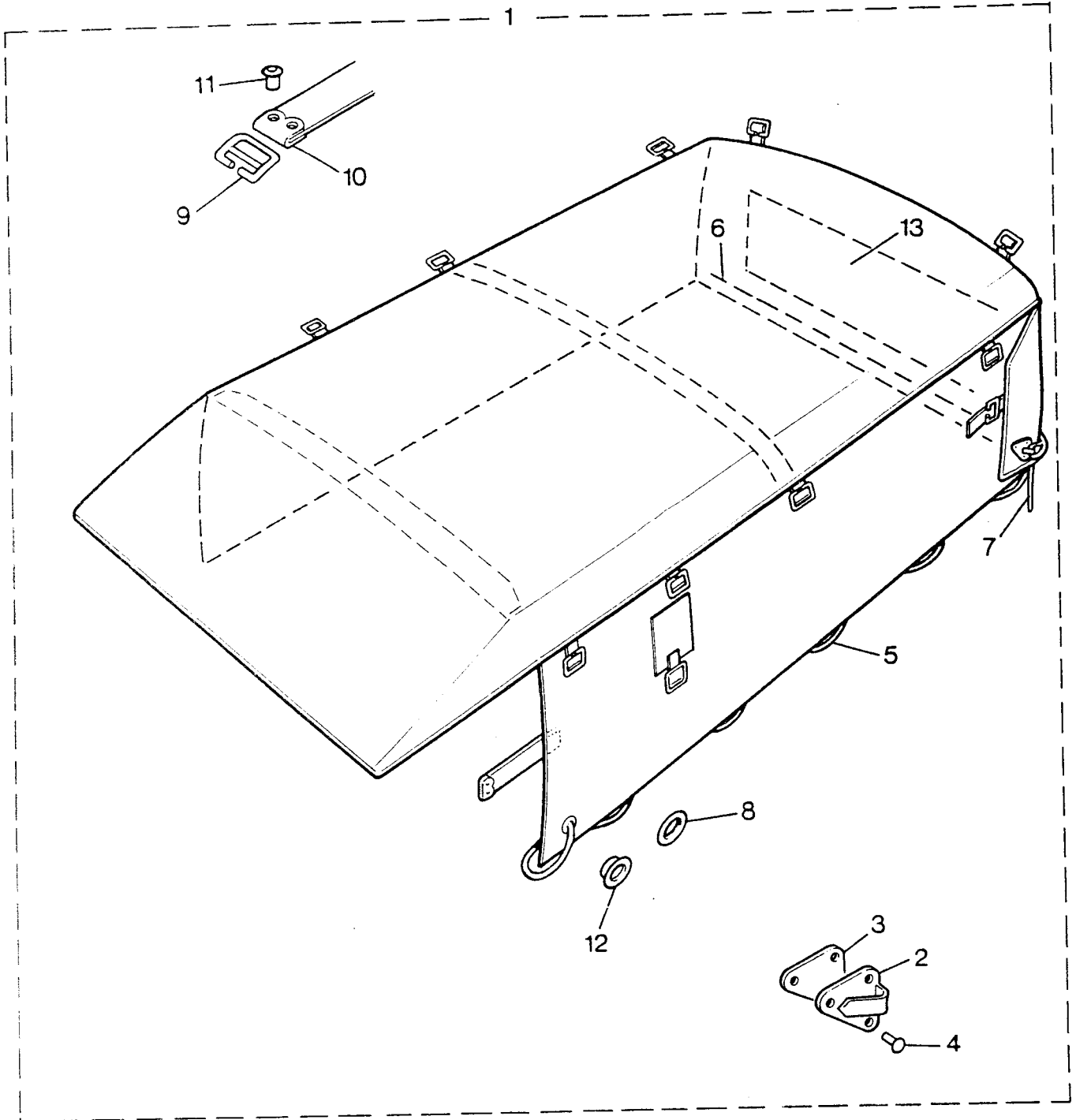


MODEL LAND ROVER  
BLOCK VS 3801  
VARIANT VB 23C

BODY - WINDSCREEN

ILL	PART NO	DESCRIPTION	QTY	REMARKS
1	MUC2594	Windscreen Frame	1	
2	MTC2864	Glass - Laminated Clear	1	
3	MUC3733	Glazing Rubber	1	

VB 29A  
HOOD



TS 55

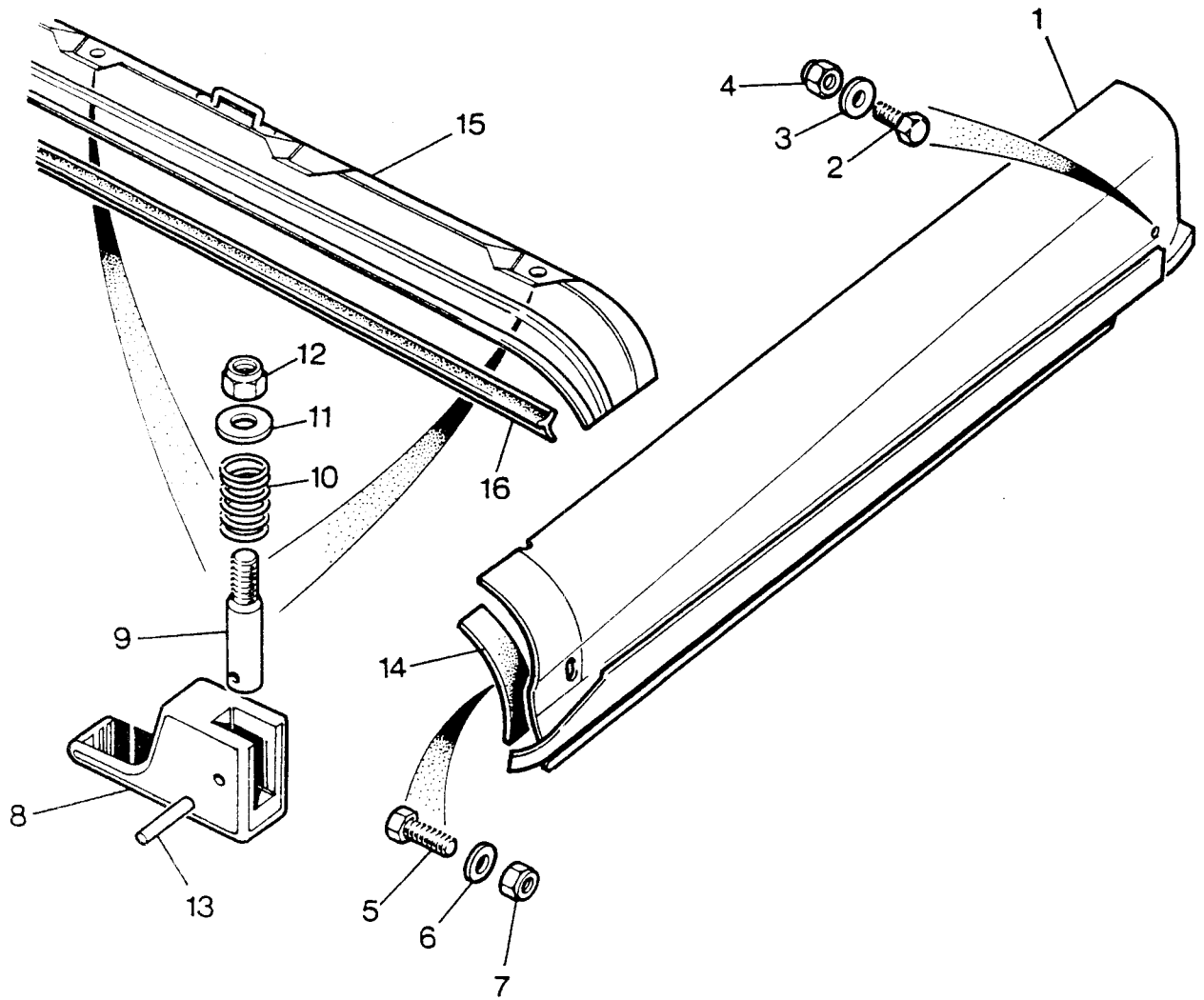


MODEL LAND ROVER  
BLOCK TS 5525  
VARIANT VB 29A

BODY - HOOD (OLIVE DRAB)

ILL	PART NO	DESCRIPTION	QTY	REMARKS
1	RRC3453HE	Hood Assembly	1	
2	304797	Rope Hook	2	
3	301343	Washer Plate Fixing Rope Hook	2	
4	RF608041L	Rivet	6	
5	331317	Rope-Side Curtain	2	
6	331221	Rope-Rear Curtain	1	
7	331222	Rope-Hood Top & Sides	1	
8	331320	Sail Eyelet	A/R	
9	300953	Buckle	A/R	
10	300954	End Cap	A/R	
11	396800	Eyelet	A/R	
12	301321	Ring Eyelet	A/R	
13	MTC4313	Backlight	1	

VB 29A  
HOOD FRONT FITTINGS

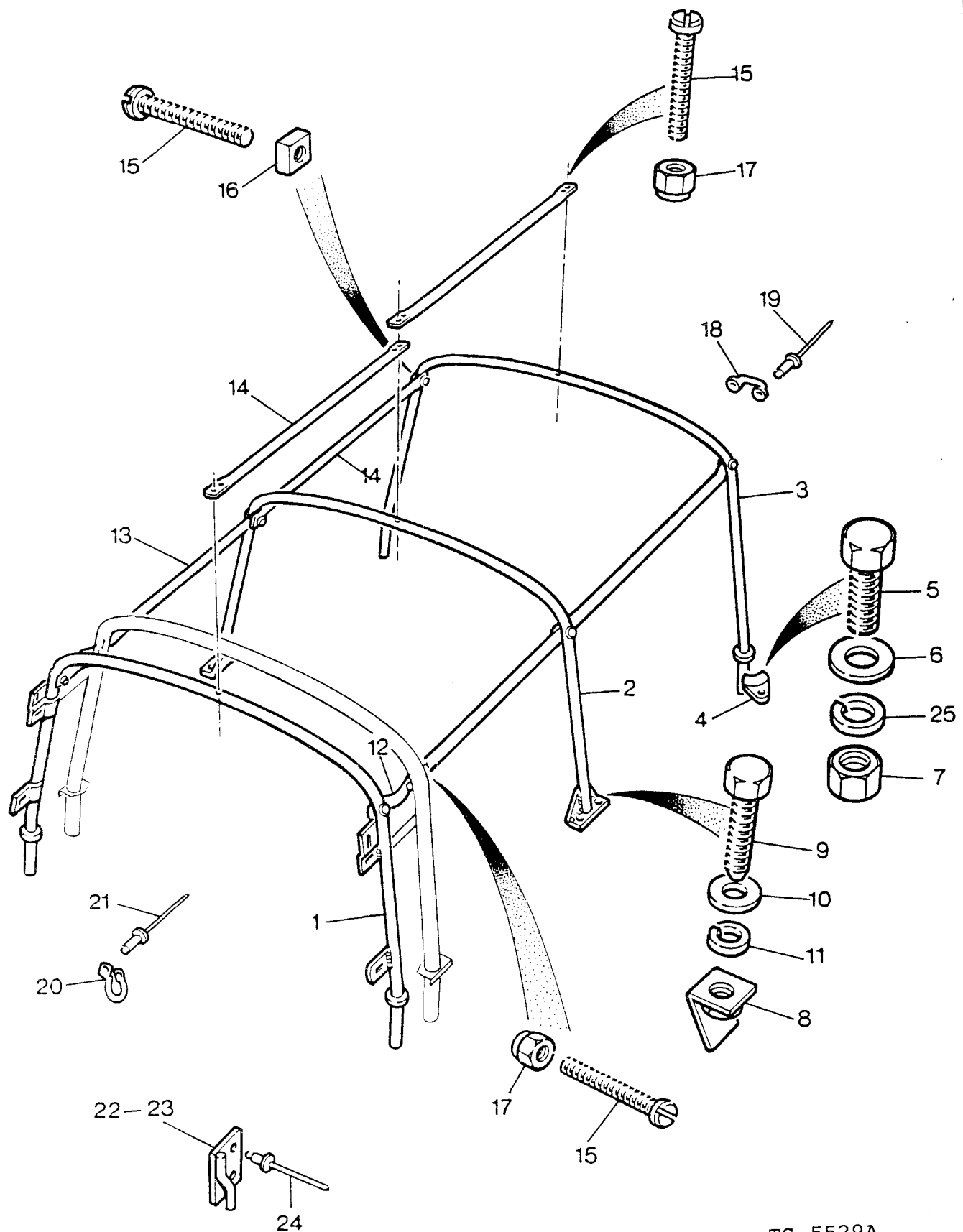


VS 4079C

BODY - HOOD FRONT FITTINGS

ILL	PART NO	DESCRIPTION	QTY	REMARKS
1	MUC4042	Drain Channel Top RH	1	
	MUC4043	Drain Channel Top LH	1	
	AFU4162	Hook Top Drain Channel	4	
2	SH106201L	Screw )Fixing Drain	2	
3	AFU1080L	Washer Plain )Channel Rear	2	
4	NY106041L	Nyloc Nut )	2	
5	SH106161L	Screw )Fixing Drain	2	
6	AFU1080L	Washer Plain)Channel Front	4	
7	NY106041L	Nyloc Nut )	2	
8	MTC4581	Handle-Hood Retention	4	
9	MTC4583	Spindle-Hood Retention	4	
10	MTC4584	Spring-Hood Retention	4	
11	WC106041L	Washer Plain )Fixing Spindle to	4	
12	NY106041L	Nyloc Nut )Header Rail	4	
13	PA106201	Spring Pin-Fixing Spindle to Handle	4	
14	MTC7431	Seal-Top Drain Channel to Windscreen	2	
15	MTC9773	Header Rail	1	
16	MTC7252	Seal-Header Rail to Windscreen	1	
	MUC4061	Strap-Header Rail	2	
	MUC4538	Seal-Drain Channel to Support Bracket	2	

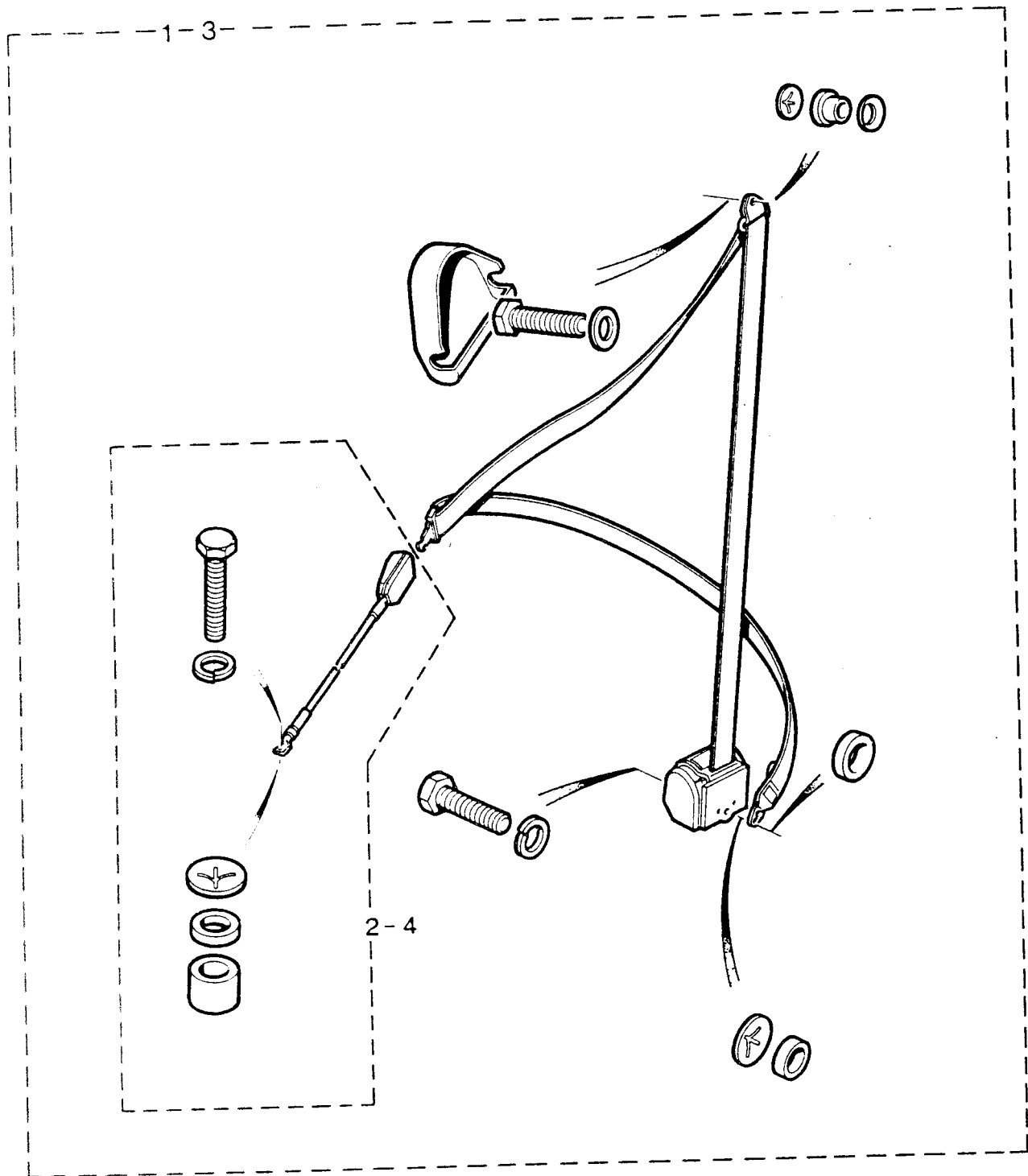
VB 29A  
HOOD STICKS



TS 5529A

BODY - HOODSTICKS

ILL	PART NO	DESCRIPTION	QTY	REMARKS
1	MUC4524	Hoodstick Front	1	
2	330699	Hoodstick Intermediate	1	
3	330553	Hoodstick Rear	1	
4	304301	Clamp Arm )Fixing Front &	4	
5	SH108251L	Bolt )Rear Hoodstick	4	
6	WA108051L	Washer Spring)to Body	4	
7	NH108041L	Nut )	4	
8	MRC9603	Nut Plate )Fixing	4	
9	SR106201L	Screw )Intermediate	4	
10	MRC5527	Washer Plain )Hoodsticks to	4	
11	WL106001L	Washer Spring )Body	4	
12	RRC2924	Tie Tube-Front	2	
13	RRC2925	Tie Tube-Intermediate	2	
14	330896	Tie Tube-Rear & Top	4	
15	SP106451L	Screw )Fixing Tie	13	
16	NS106011L	Square Nut )Tubes to	6	
17	NY106041L	Self Locking Nut)Hoodsticks And	13	
		)Roll Bar		
18	345699	Rope Hook	2	
19	RR612103L	Rivet-Hook to Body	4	
20	395143	Staple-Hood Strap	2	
21	RA612373L	Rivet-Staple to Body	4	
22	330579	Rope Hook-LH Front	1	
23	330578	Rope Hook-RH Front	1	
24	RU612253L	Rivet-Hook to Body	8	
25	WL108001L	Washer Spring	4	



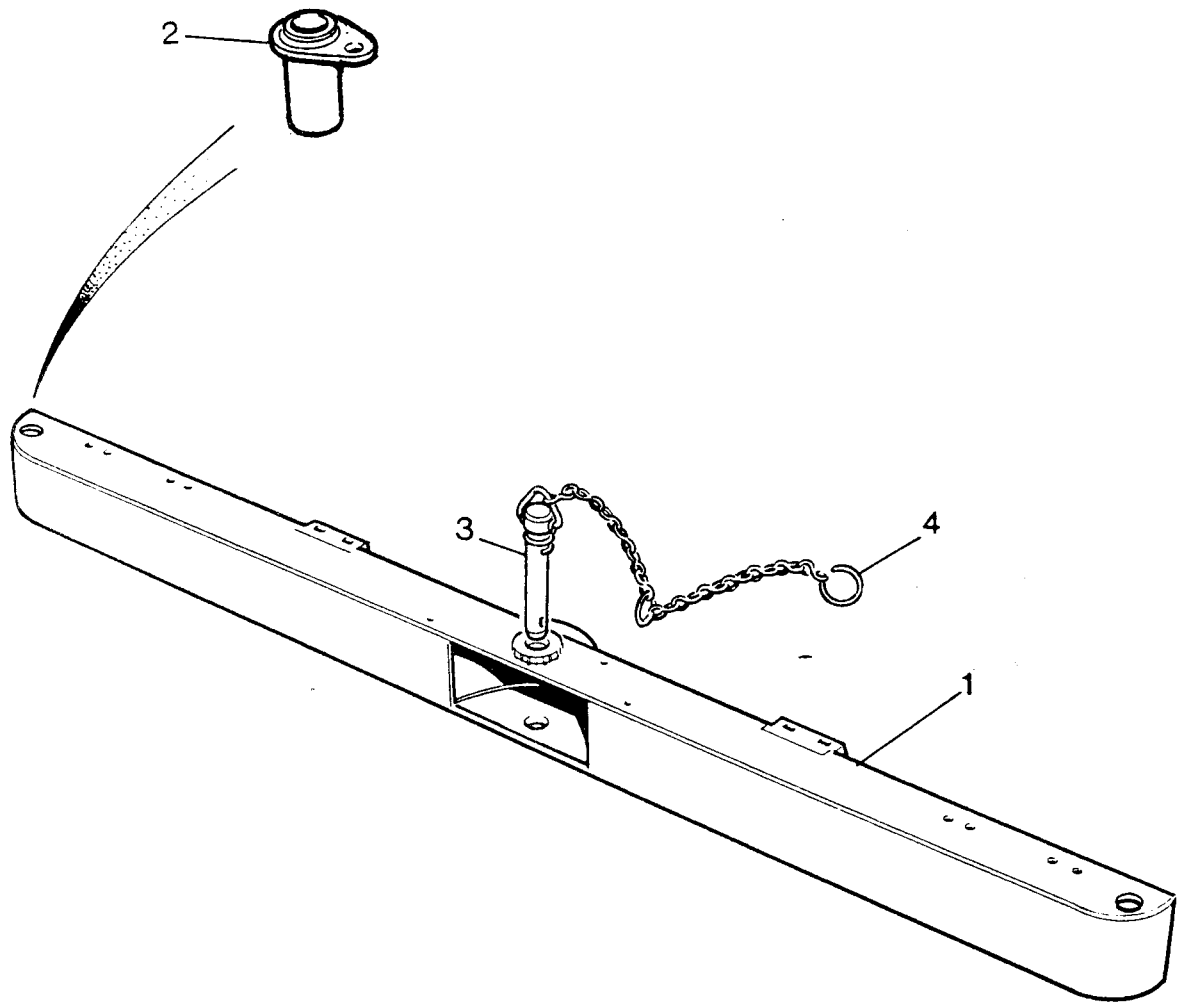
TS5795

MODEL LAND ROVER  
BLOCK TS 5795  
VARIANT VB 38W

BODY - SEAT BELTS (INERTIA REEL)

ILL	PART NO	DESCRIPTION	QTY	REMARKS
1	MUC3822	Seat Belt Assembly RH	1	
2	MTC1604	Stalk & Buckle Assembly RH	1	
3	MUC3823	Seat Belt Assembly LH	1	
4	MTC1605	Stalk & Buckle Assembly LH	1	
	RRC3339	Bracket Reel Mounting RH	1	
	RRC3338	Bracket Reel Mounting LH	1	

VB 53B  
FRONT BUMPER



TS 542'

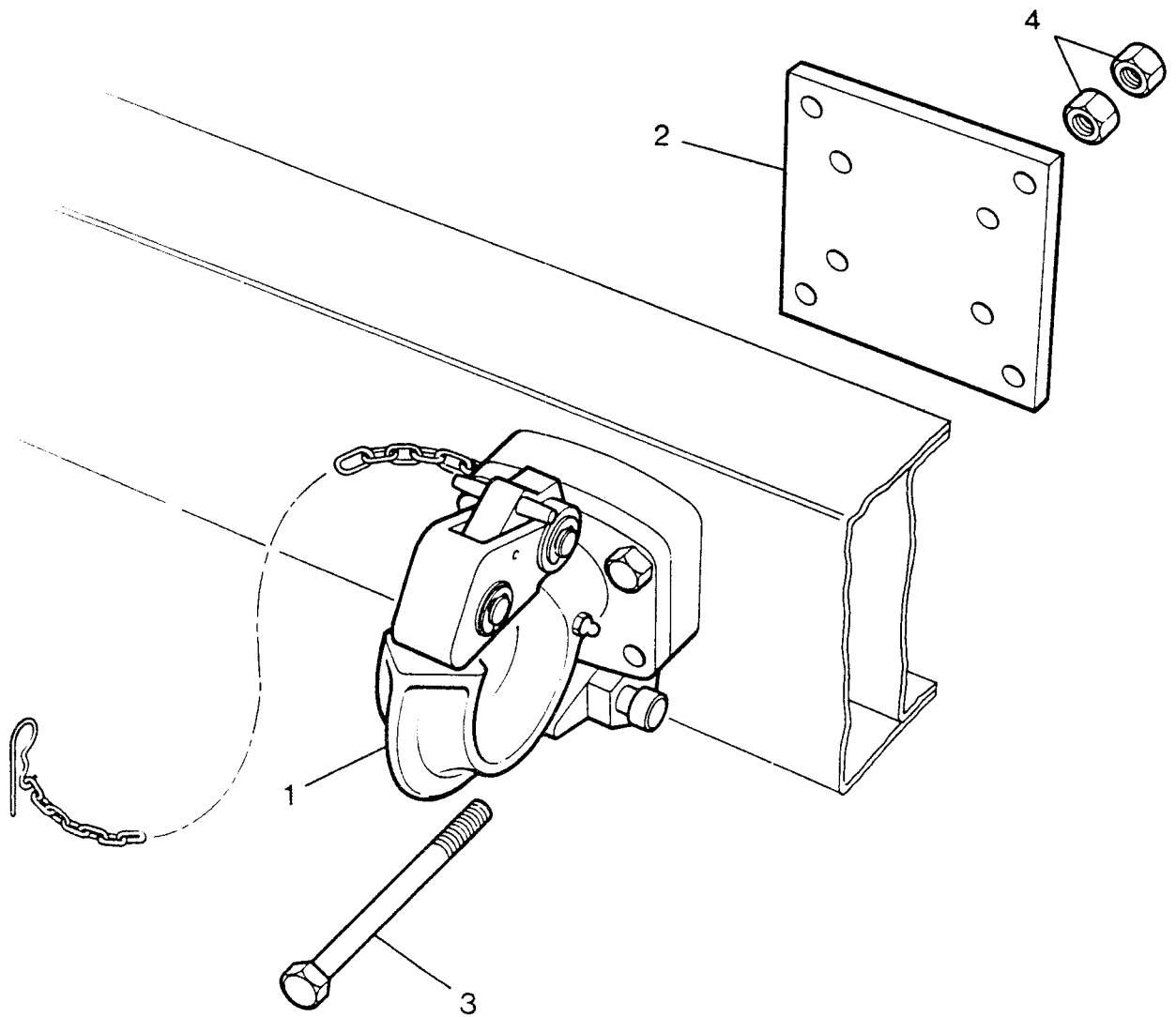


MODEL LAND ROVER  
BLOCK TS 5427  
VARIANT VB 53B

BODY - FRONT BUMPER

ILL	PART NO	DESCRIPTION	QTY	REMARKS
1	RRC3508	Front Bumper Complete with Towing Pin	1	
2	RRC2094	Flag Holder Assembly	2	
3	RRC2671	Towing Jaw Pin Assembly	1	
4	RRC2821	Retaining Ring Assembly	1	

VB54L  
ROTATING TOWING PINTLE



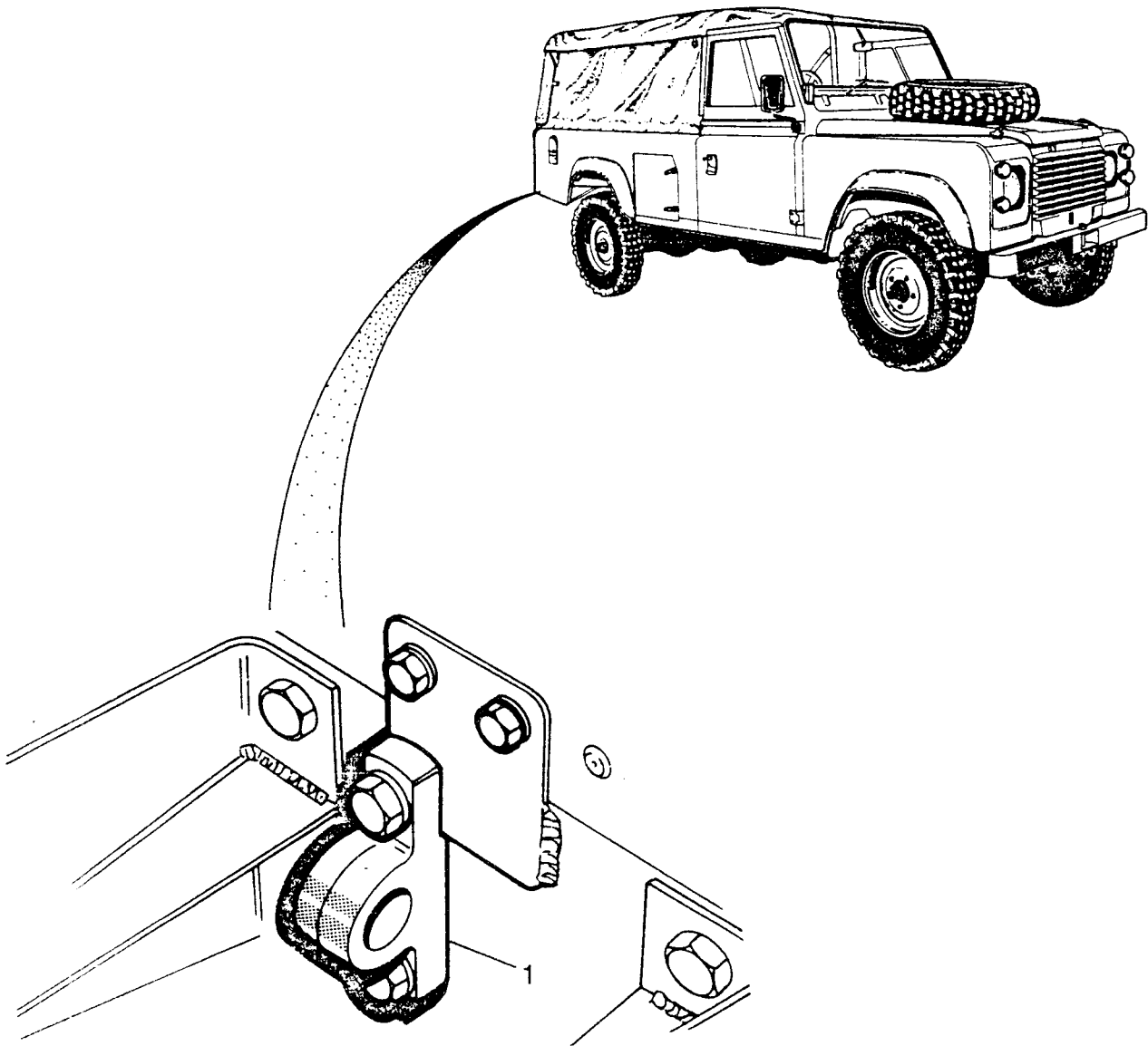
TS5131

MODEL LAND ROVER  
BLOCK TS 5131  
VARIANT VB 54L

ROTATING TOWING PINTLE

ILL	PART NO	DESCRIPTION	QTY	REMARKS
1	NRC2051	Rotating Towing Pintle	1	
2	NRC8323	Stiffener	1	
3	BH112241L	Bolt )Pintle to	4	
4	NH112041L	Nut )Crossmember	8	
	531447	Packing Piece	1	

VB 58B  
LIFTING RINGS



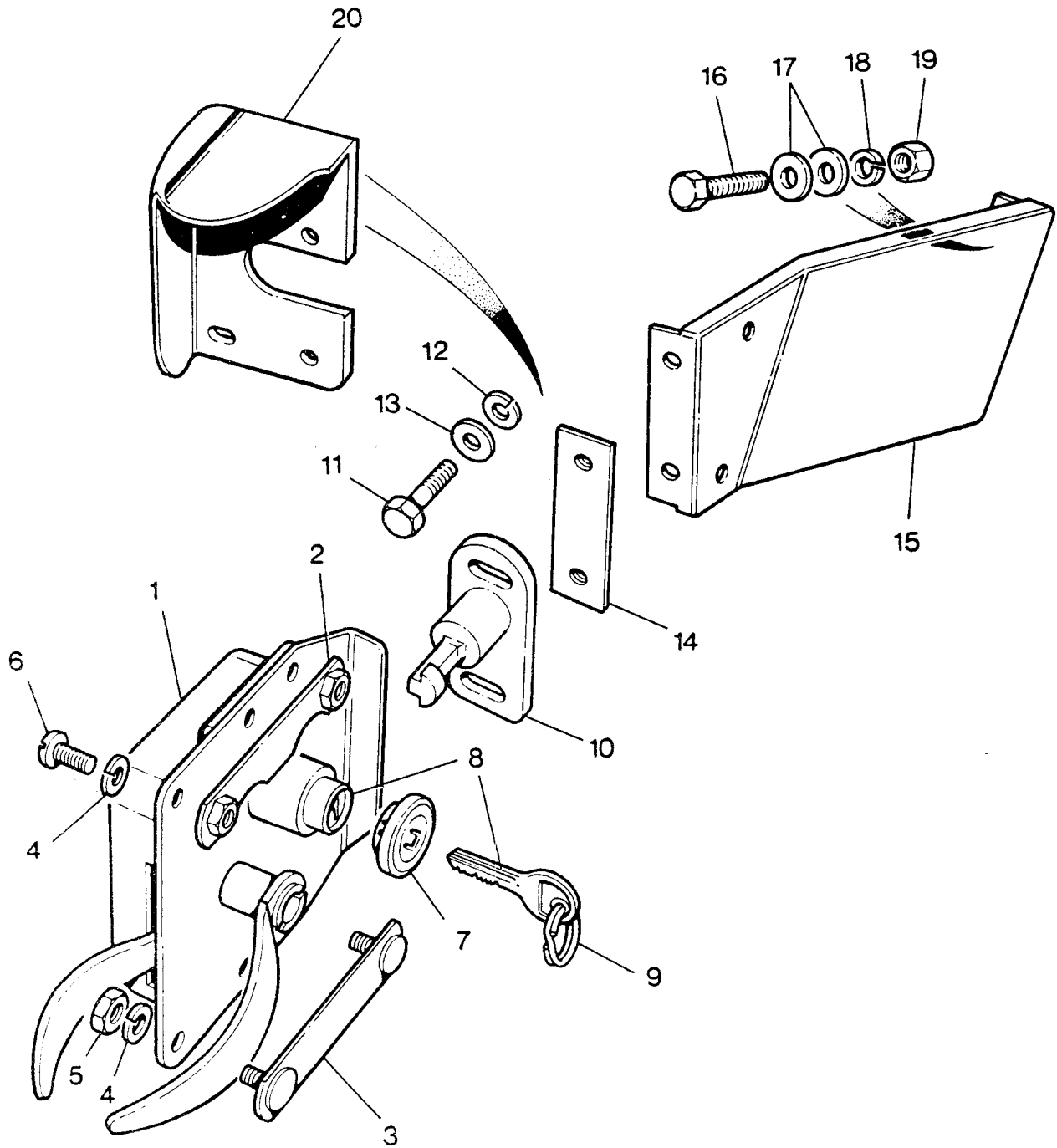
TS5130

MODEL LAND ROVER  
 BLOCK TS 5130  
 VARIANT VB 58B

BODY - LIFTING RING (REAR)

ILL	PART NO	DESCRIPTION	QTY	REMARKS
1	NRC4853	Lifting Ring	2	
	NRC4854	Backing Plate	2	
	BH110181L	Bolt )	4	
	WA110061L	Washer Plain )	4	Fixing Lifting
	WL110001L	Washer Spring )	4	Ring
	NH110041L	Nut )	4	

VB 60E & F  
FRONT DOORS



VS 3814B

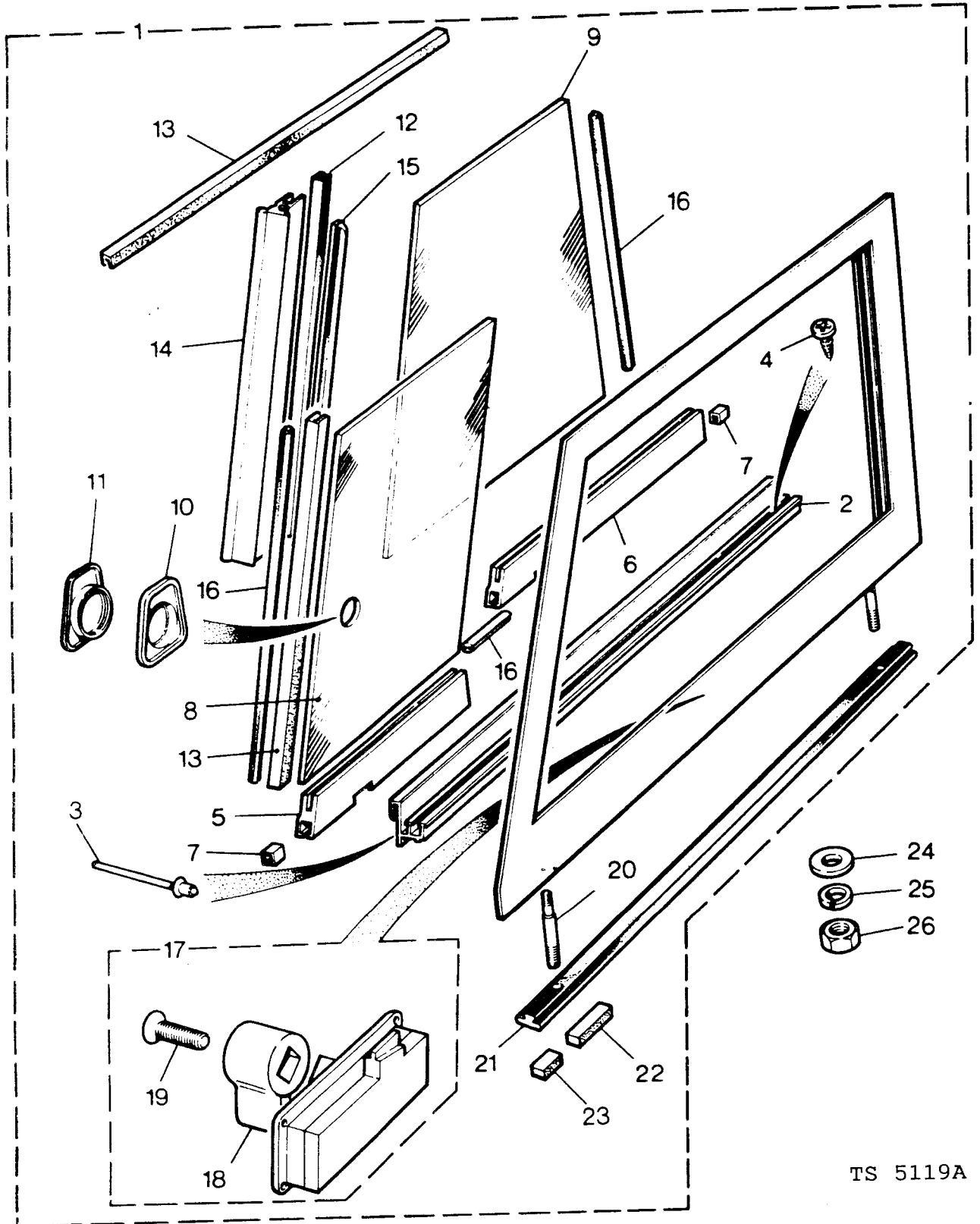
MODEL LAND ROVER  
 BLOCK VS 3814B  
 VARIANT VB 60E &  
 VB 60F

BODY - FRONT DOORS

ILL	PART NUMBER	DESCRIPTION	QTY	REMARKS
1	MUC1028	Door Lock Assembly RH	1	VB 60E
	MUC1031	Door Lock Assembly LH	1	VB 60E
	MUC1030	Door Lock Assembly RH	1	VB 60F
	MUC1029	Door Lock Assembly LH	1	VB 60F
	MTC6858	Seal - Lock to Door	2	
2	MRC9417	Nut Retainer )	2	
3	MRC9416	Screw Retainer )	2	
4	WL106001L	Spring Washer ) Fixing Lock	8	
5	NH106041L	Nut ) to Door	4	
6	SE106161L	Screw )	4	
7	347151	Seal for Lock	2	
		Barrel & Key Sets For Locks		
8	RTC3022	1 Barrel and 2 Keys	1	
	MTC6503	2 Barrels and 2 Keys	1	
	MTC6504	3 Barrels and 2 Keys	1	
	MTC6505	4 Barrels and 2 Keys	1	
	MTC6506	5 Barrels and 2 Keys	1	
	MTC6507	6 Barrels and 2 Keys	1	
	MTC6508	7 Barrels and 2 Keys	1	
	MTC6509	8 Barrels and 2 Keys	1	
9	CZK3438L	Key Blank	A/R	
10	MRC8445	Striker LH	1	
	MRC8444	Striker RH	1	
11	SH106201L	Bolt )	4	
12	WL106001L	Spring Washer) Striker to	4	
13	AFU1259	Plain Washer ) Bracket	4	
14	MRC9431	Nut Plate )	2	
15	332485	Bracket - Striker Support LH	1	
	332484	Bracket - Striker Support RH	1	
16	SH106161L	Screw )	4	
17	AFU1259	Plain Washer ) Bracket to Body	8	
18	WL106001L	Spring Washer)	4	
19	NH106041L	Nut )	4	
20	MRC9007	Shroud LH	1	
	MRC9006	Shroud RH	1	

Variant VB 60E - RHD  
 Variant VB 60F - LHD

VB 60E & F  
SIDESCREEN



TS 5119A



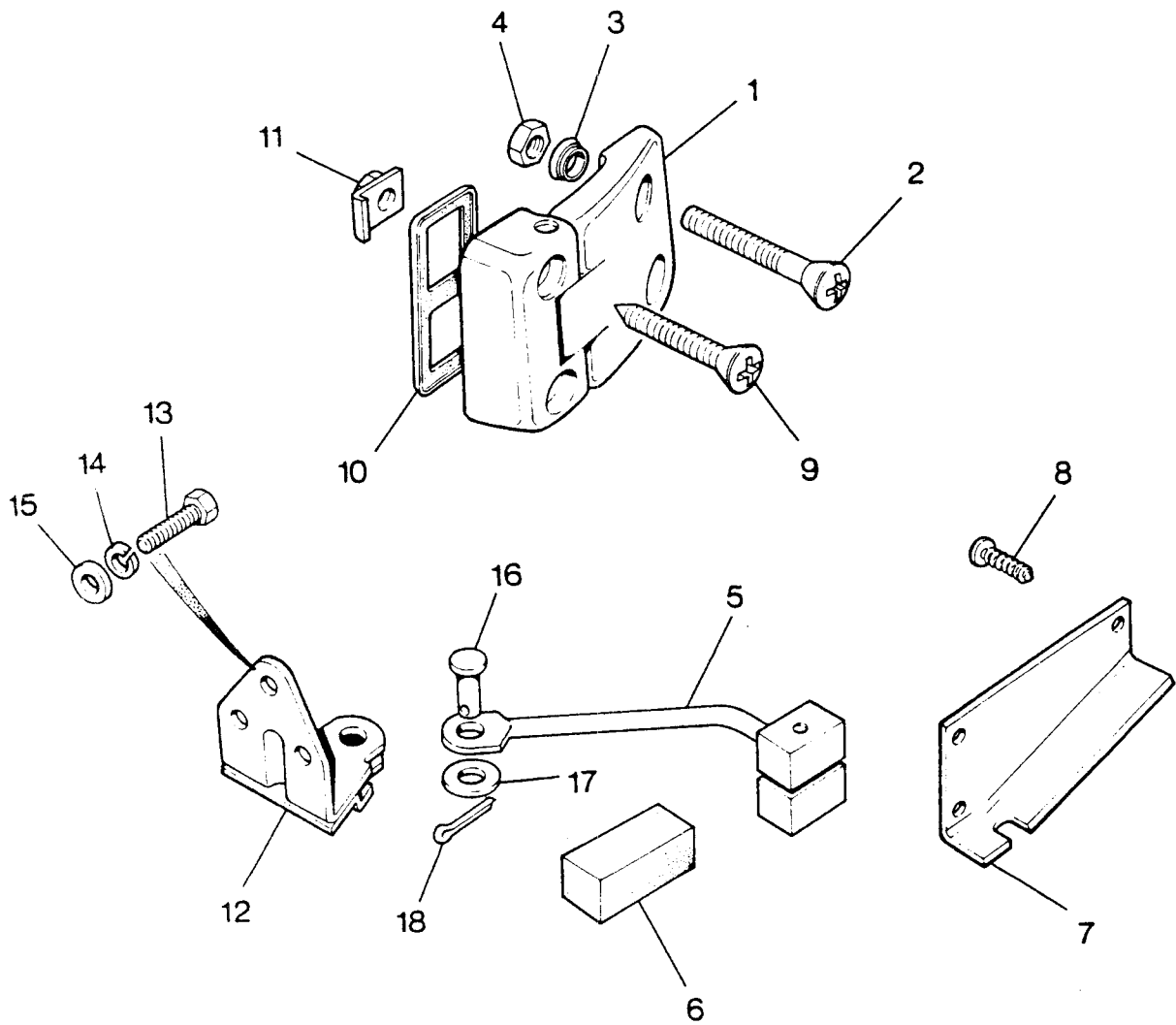
MODEL LAND ROVER  
 BLOCK TS 5119/A  
 VARIANT VB 60E  
 VB 60F

BODY - SIDESCREEN - FRONT DOOR

ILL	PART NO	DESCRIPTION	QTY	REMARKS
1	MTC8841	Sidescreen Assembly LH	1	
	MTC8840	Sidescreen Assembly RH	1	
2	MTC6207	Removable Rail LH	1	
	MTC6206	Removable Rail RH	1	
	MUC3746	Draught Seal-Removable Rail	4	
3	AFU2637	Rivet	4	
4	AB606031L	Screw-Fixing Rail	8	
5	MTC6209	Slide Rail-Outer LH	1	
	MTC6208	Slide Rail-Outer RH	1	
6	MTC6211	Slide Rail-Inner LH	1	
	MTC6210	Slide Rail-Inner RH	1	
7	MTC6221	Runner Block	6	
8	MTC6266	Window Glass-Outer	2	
9	MTC6267	Window Glass-Inner	2	
10	MTC6279	Finger Pull-Outer LH	1	
	MTC6277	Finger Pull-Outer RH	1	
11	MTC6278	Finger Pull-Inner LH	1	
	MTC6276	Finger Pull-Inner RH	1	
12	MTC7617	Glazing Rubber-Draught Rail	2	
	MTC7616	Glazing Rubber-Inner/Outer	4	
		Slide Rail		
13	MTC7622	Glazing Felt-Front/Rear	4	
		Vertical		
	MTC7622	Glazing Felt-Inner/Outer	4	
		Top		
	MTC7622	Glazing Felt-Inner/Outer	4	
		Slide Rail		
14	MTC6215	Draught Rail LH	1	
	MTC6214	Draught Rail RH	1	
15	MTC6222	Weatherseal Rubber	2	
16	MTC7611	Infill Rubber-Front/Rear	4	
		Vertical		
	MTC7611	Infill Rubber-Outer/Slide	2	
		Rail		
17	RRC4879	Window Catch LH	1	
	RRC4878	Window Catch RH	1	
18	RRC4810	Knob for Catch	2	
19	ADU1221L	Screw	2	
20	MTC6223	Stud ) Sidescreen to Door	4	
21	MTC6224	Seal )	2	
22	MTC7549	Pad-Long	4	
23	MTC7550	Pad-Short	4	
24	WC110061L	Plain Washer )	4	
25	WL110001L	Spring Washer) Sidescreen to	4	
26	NH110041L	Nut ) Door	4	

Variant VB 60E - RHD  
 Variant VB 60F - LHD

VB 60E & F  
FRONT DOORS

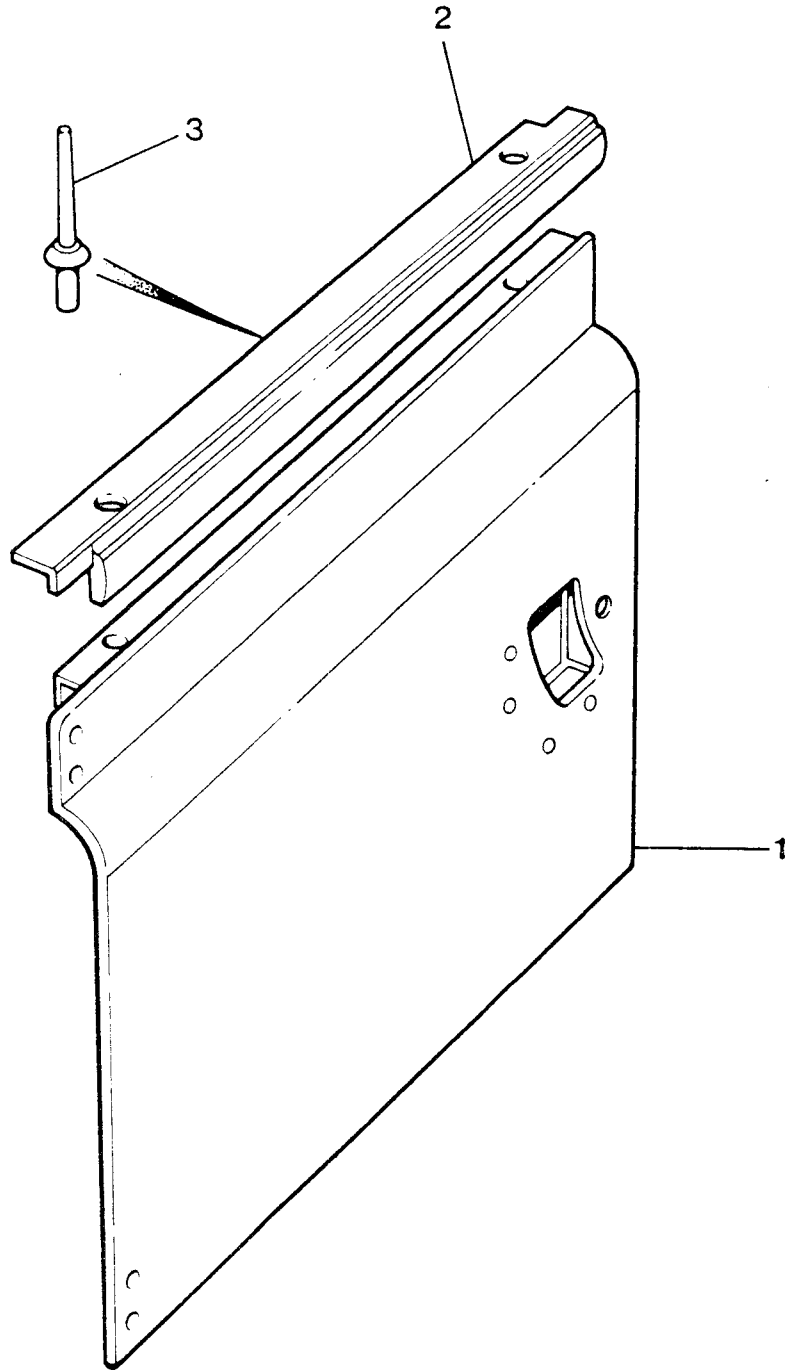


BODY - FRONT DOORS

ILL	PART NUMBER	DESCRIPTION	QTY	REMARKS
1	MRC3038	Hinge - Upper LH	1	
	MRC3037	Hinge - Upper RH	1	
	347363	Hinge - Lower LH	1	
	347362	Hinge - Lower RH	1	
2	MRC2762	Screw )	8	
3	MRC1980	Nylon Washer ) Hinge to Door	8	
4	NH605041L	Nut )	8	
5	395538	Checkstrap Rod	2	
6	395481	Buffer	2	
7	346928	Retainer LH	1	
	345927	Retainer RH	1	
8	AB606031L	Screw - Fixing Retainer	6	
9	GD110401	Screw )	8	
10	347369	Seating Washer ) Hinge to Dash	4	
11	MRC2178	Nut Retainer )	8	
12	346878	Retaining Bracket	2	
13	SH106201L	Bolt )	4	
14	WL106001L	Spring Washer ) Bracket to Dash	4	
15	WA106041L	Plain Washer )	4	
16	PC108241	Clevis Pin ) Check Strap Rod	2	
17	WA108051L	Plain Washer ) to Retaining	2	
18	PS103101	Split Pin ) Bracket	2	

Variant VB 60E - RHD  
 Variant VB 60F - LHD

VB 60E & F  
FRONT DOORS



VS 3813

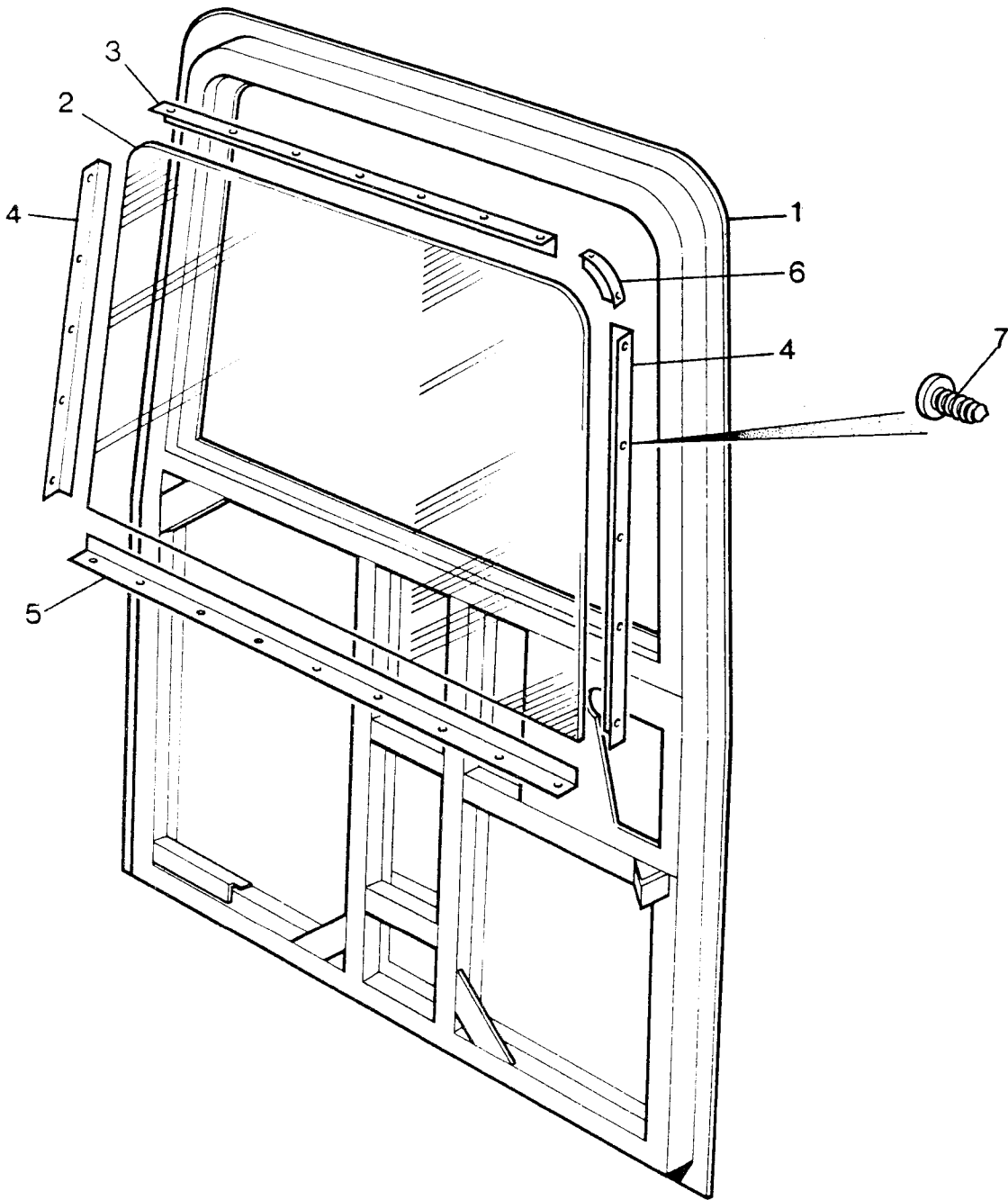
MODEL LAND ROVER  
BLOCK VS 3813  
VARIANT VB 60E &  
VB 60F

BODY - FRONT DOORS

ILL	PART NO	DESCRIPTION	QTY
1	395532	Front Door Clinched Assy-LH	1
	395531	Front Door Clinched Assy-RH	1
2	330123	Top Capping LH	1
	330122	Top Capping RH	1
3	RU612253L	Rivet	6

Variant VB 60E - RHD  
Variant VB 60F - LHD

VB 62N  
REAR END DOOR

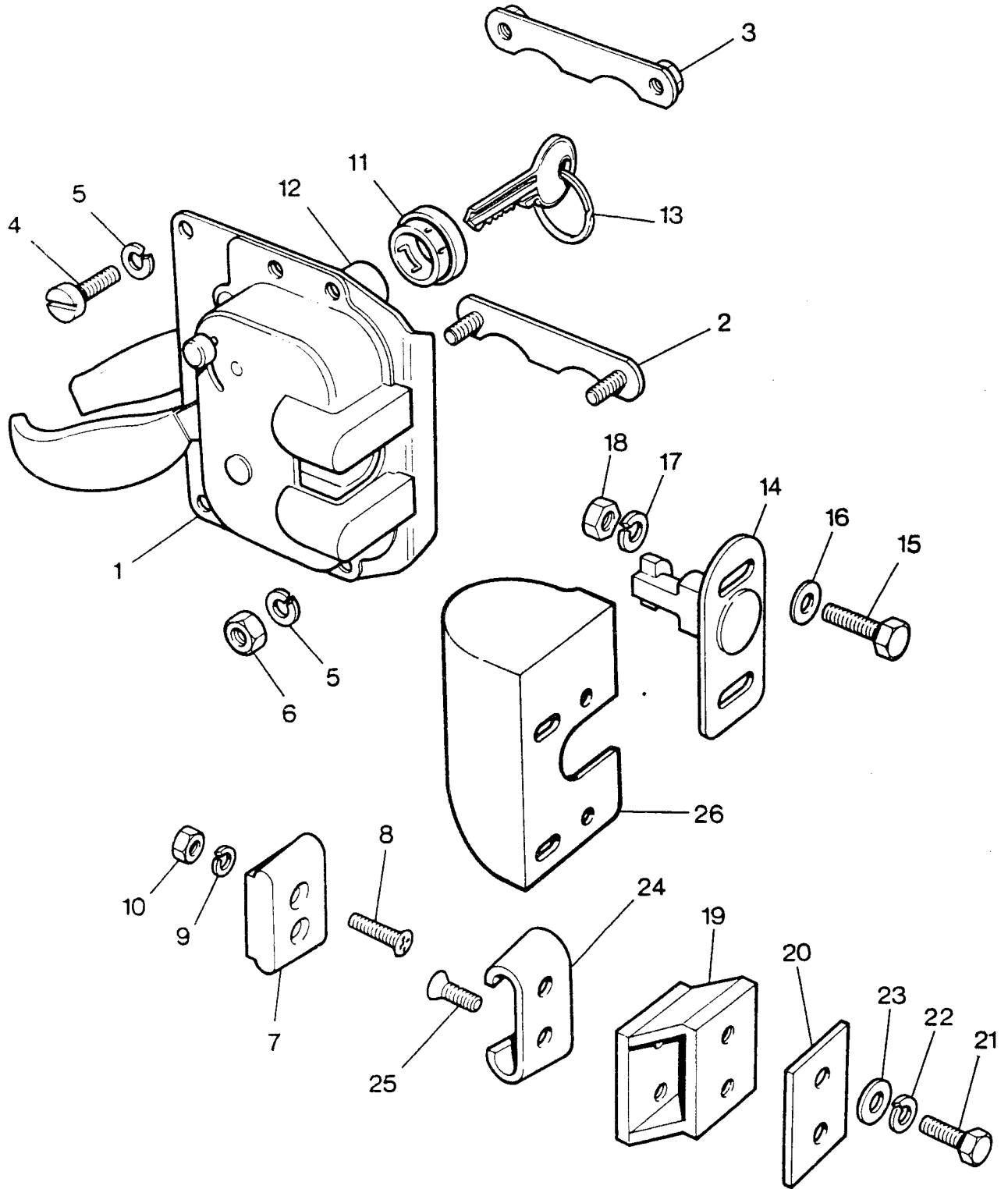


MODEL LAND ROVER  
BLOCK VS 3900  
VARIANT VB 62N

BODY - REAR END DOOR

ILL	PART NO	DESCRIPTION	QTY	REMARKS
1	RRC3664	Rear End Door Clinched Assembly	1	
2	MTC3469	Window Glass - Clear	1	
	78159	Glazing Strip	A/R	
3	333034	Retainer - Top	1	
4	333033	Retainer - Sides	2	
5	333032	Retainer - Bottom	1	
6	333035	Retainer - Corners	2	
7	AB606031L	Drive Screw - Retainers to Door Frame	30	

VB 62N  
REAR END DOOR

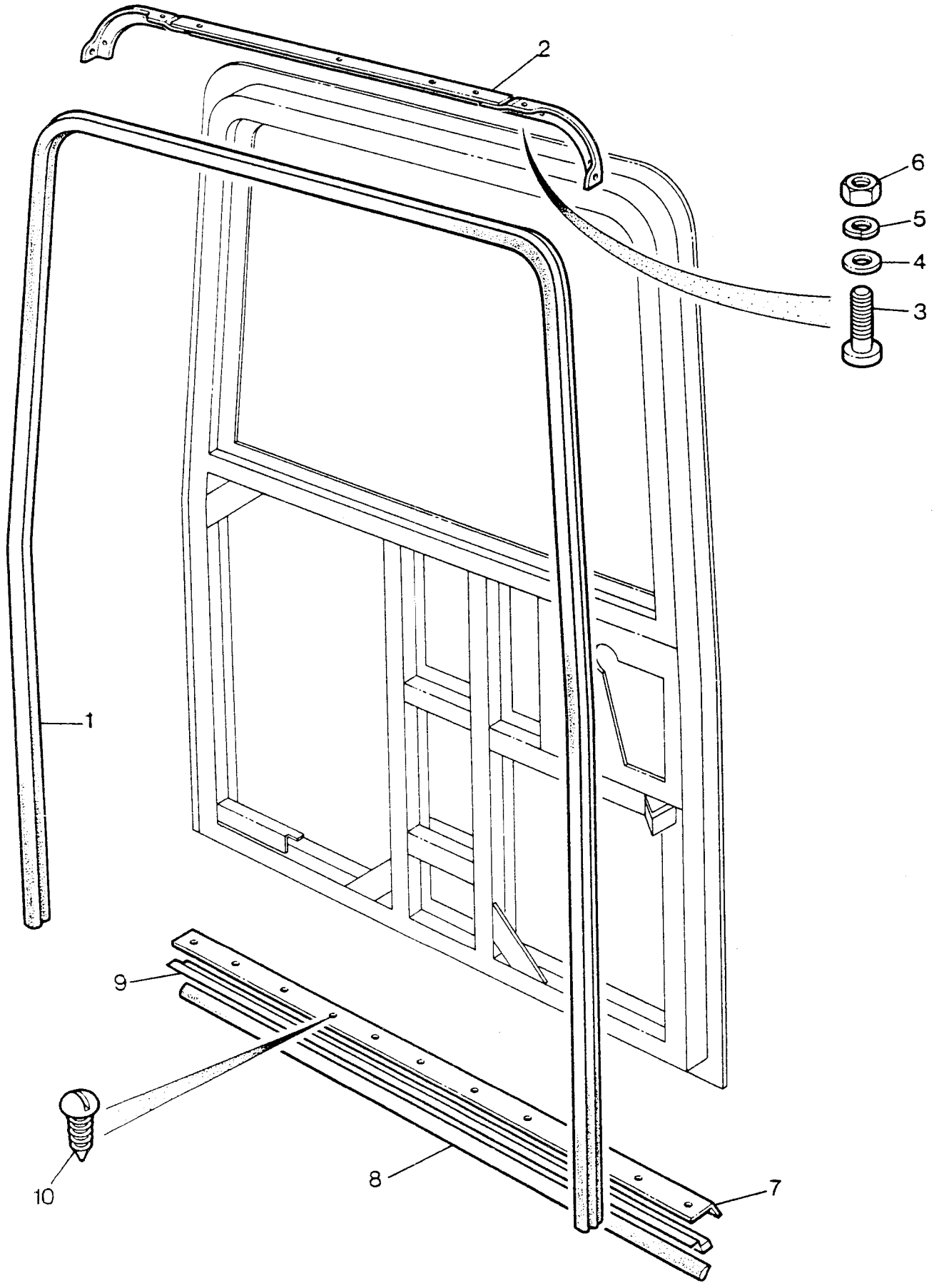




BODY - REAR END DOOR

ILL	PART NO	DESCRIPTION	QTY	REMARKS
1	MUC1030	Lock Assembly	1	
2	MRC9416	Screw Retainer )	1	
3	MRC9417	Nut Retainer )	1	
4	SE106161L	Screw ) Lock to Door	2	
5	WL106001L	Spring Washer )	4	
6	NH106041L	Nut )	2	
7	332942	Male Dovetail	1	
8	SA106251	Screw ) Dovetail to	2	
9	WL106001L	Spring Washer ) Door	2	
10	NH106041L	Nut )	2	
11	347151	Seal for Lock	1	
		Barrel & Key Sets for Locks		
12	RTC3022	1 Barrel and 2 Keys	1	
	MTC6503	2 Barrels and 2 Keys	1	
	MTC6504	3 Barrels and 2 Keys	1	
	MTC6505	4 Barrels and 2 Keys	1	
	MTC6506	5 Barrels and 2 Keys	1	
	MTC6507	6 Barrels and 2 Keys	1	
	MTC6508	7 Barrels and 2 Keys	1	
	MTC6509	8 Barrels and 2 Keys	1	
13	CZK3438L	Key Blank	A/R	
14	MRC8444	Striker	1	
15	SH106251L	Screw )	2	
16	MRC5525	Plain Washer ) Striker to	2	
17	WL106001L	Spring Washer ) Pillar	2	
18	NH106041L	Nut )	2	
19	MRC9619	Spacer	1	
20	305232	Shim )	2	
21	SH106201L	Screw ) Spacer to	2	
22	WL106001L	Spring Washer ) Pillar	2	
23	AFU1080L	Plain Washer )	2	
24	332147	Female Dovetail	1	
25	SA106161	Screw - Dovetail to Spacer	2	
26	MRC9006	Shroud	1	

VB 62N  
REAR END DOOR SEALS



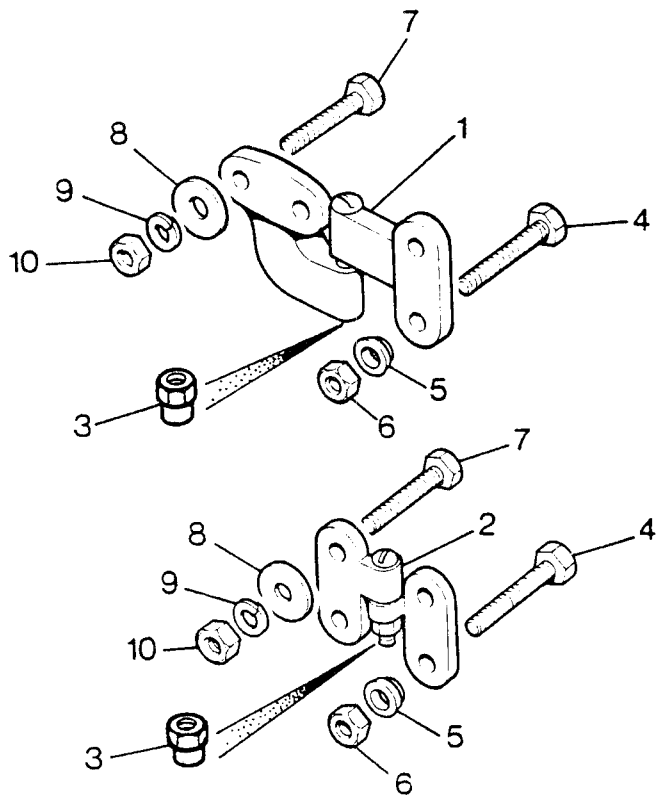
VS 3938

MODEL LAND ROVER  
BLOCK VS 3938  
VARIANT VB 62N

BODY - REAR END DOOR SEALS

ILL	PART NO	DESCRIPTION	QTY	REMARKS
1	MTC4111	Seal - Rear End Door	1	
2	MTC4290	Seal Retainer	1	
3	SE105161L	Screw-Retainer to Roof	9	)Retainer
4	AFU1256	Plain Washer	9	)to
5	WL105001L	Spring Washer	9	)Roof
6	NH105041L	Nut	9	)
7	333203	Protection Strip	1	
8	332564	Seal - Door Bottom	1	
9	332756	Seal Retainer	1	
10	AB606041L	Drive Screw	13	

VB 62N  
REAR END DOOR HINGES

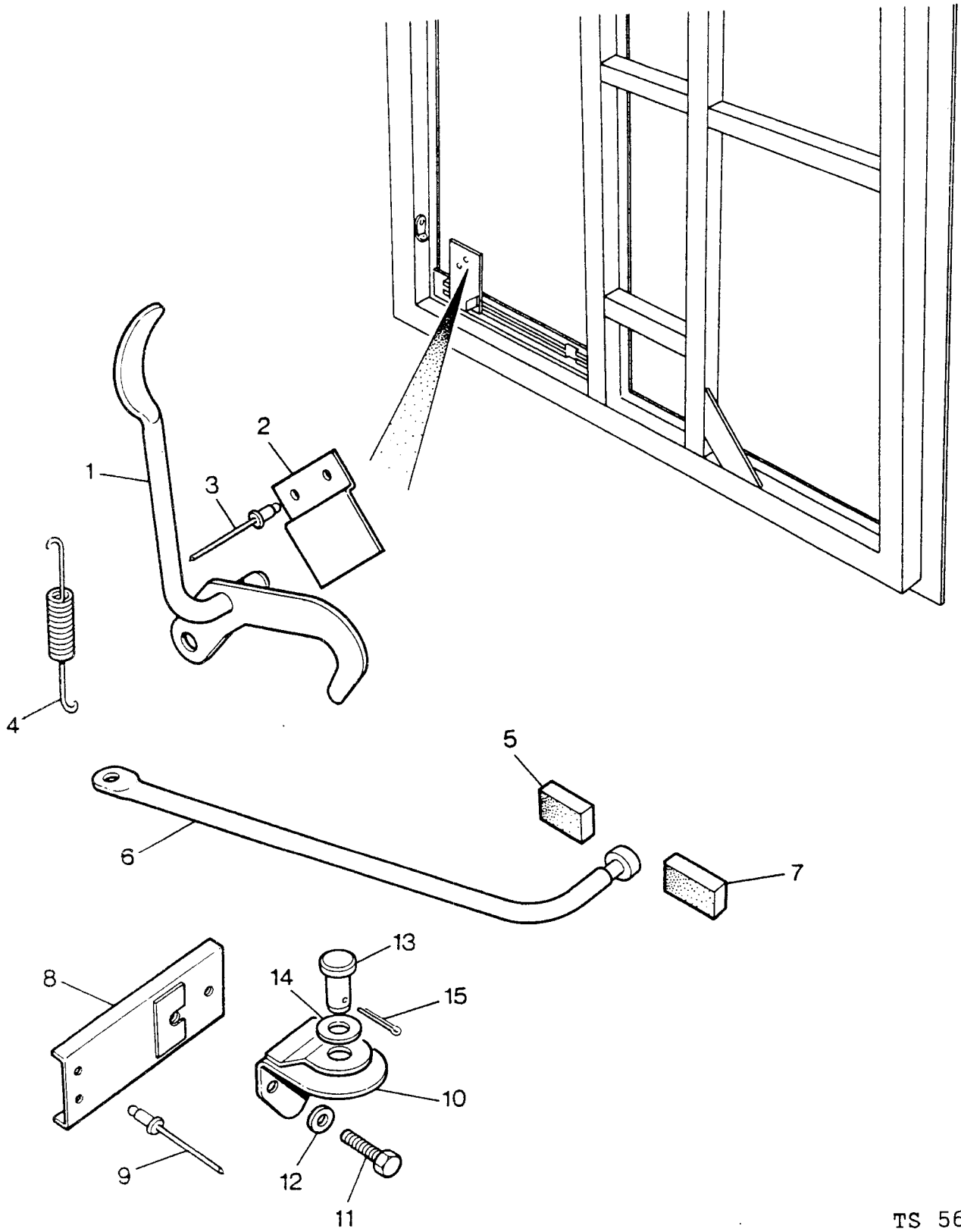


MODEL LAND ROVER  
BLOCK TS 5280  
VARIANT VB 62N

BODY - REAR END DOOR HINGES

ILL	PART NO	DESCRIPTION	QTY	REMARKS
1	333036	Hinge - Upper	1	
2	346341	Hinge - Lower	1	
3	257450	Capped Turret Nut	2	
4	SE108501	Screw )	4	
5	MRC1980	Nylon Washer ) Hinges to Door	4	
6	NH108041L	Nut )	4	
7	SE108251	Screw )	4	
8	3830L	Plain Washer ) Hinges to Body	4	
9	WM600051L	Spring Washer )	4	
10	NH108041L	Nut )	4	

VB 62N  
REAR END DOOR

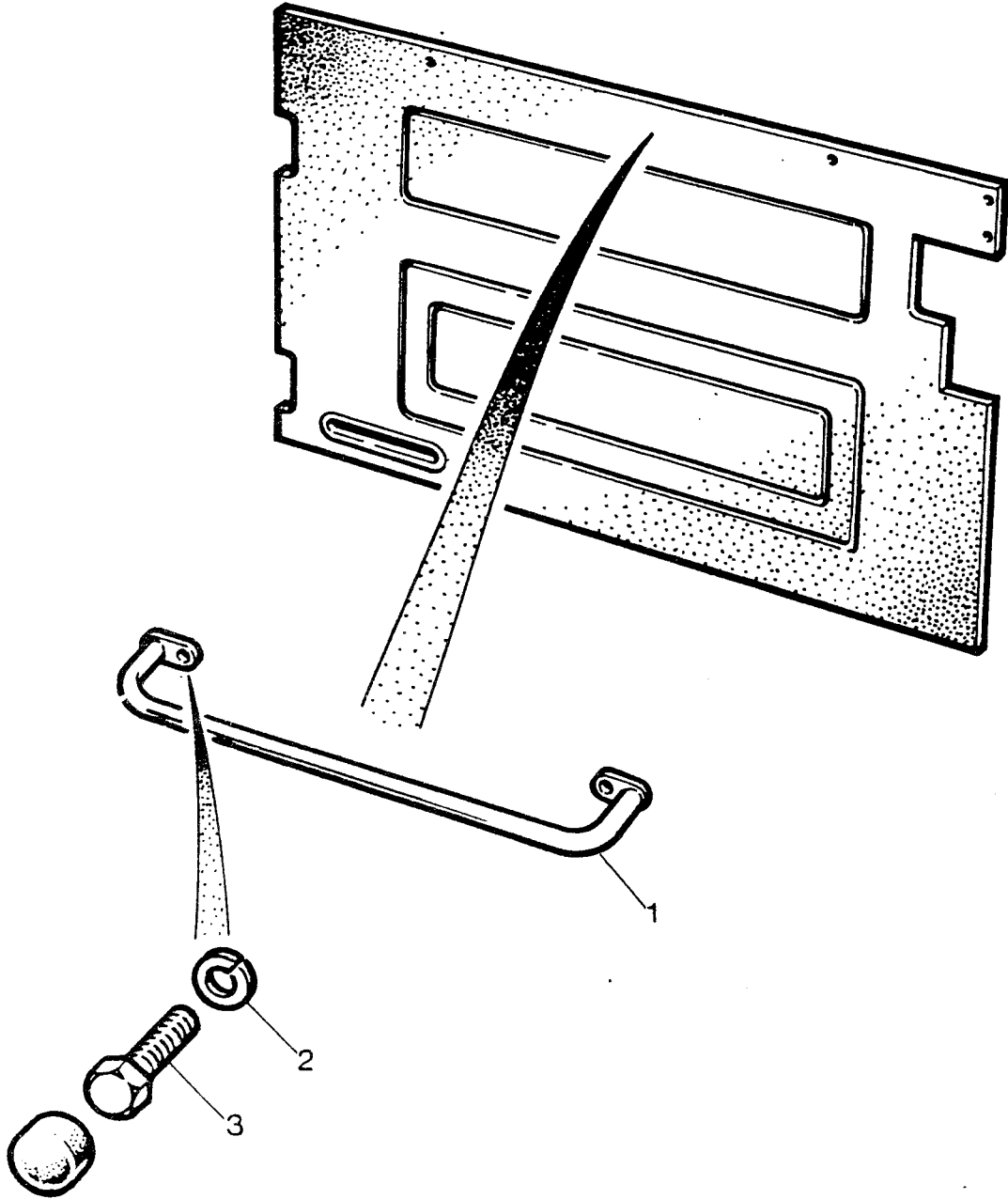


TS 5684

BODY - REAR END DOOR

ILL	PART NO	DESCRIPTION	QTY	REMARKS
1	MUC4474	Release Lever	1	
2	MUC4486	Retainer	1	
3	RA608177L	Rivet	2	
4	MUC4481	Spring	1	
5	MUC4545	Rubber Buffer - Short	1	
6	MUC4471	Checkstrap Link	1	
7	MUC4544	Rubber Buffer - Long	1	
8	MUC4477	Mounting Bracket	1	
9	RU612253L	Rivet	2	
10	346878	Retaining Bracket	1	
11	SH106201L	Screw	2	
12	WA106041L	Plain Washer	2	
13	306564	Clevis Pin	1	
14	349931	Plain Washer	1	
15	2393	Split Pin	1	

VB 62N  
REAR END DOOR



TS5139

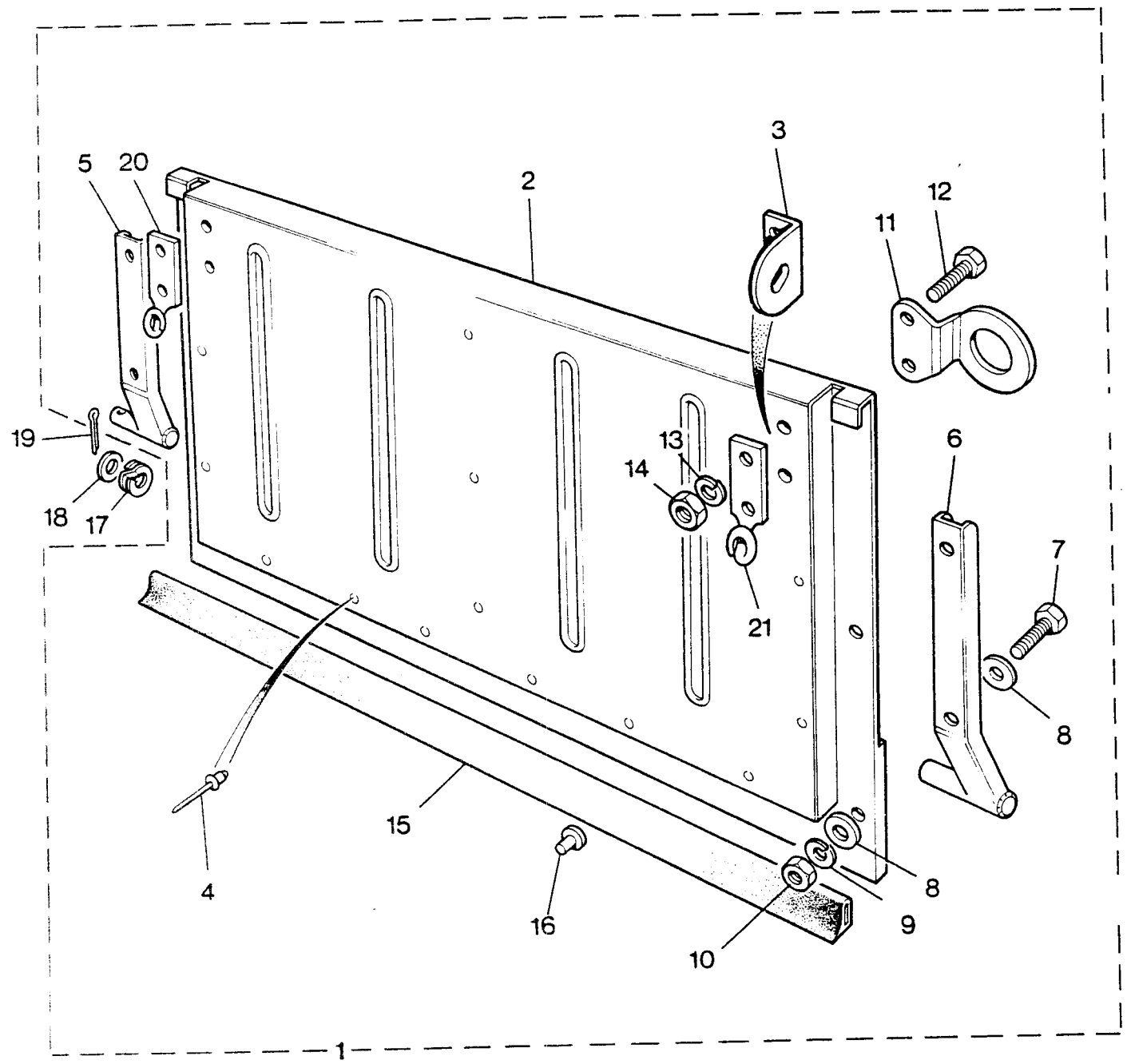


MODEL LAND ROVER  
BLOCK TS 5139  
VARIANT VB 62N

BODY - REAR END DOOR

ILL	PART NO	DESCRIPTION	QTY	REMARKS
1	MTC6456	Grab Handle	1	
2	WL106004L	Spring Washer ) Fixing Grab	2	
3	SH106204	Screw ) Handle	2	

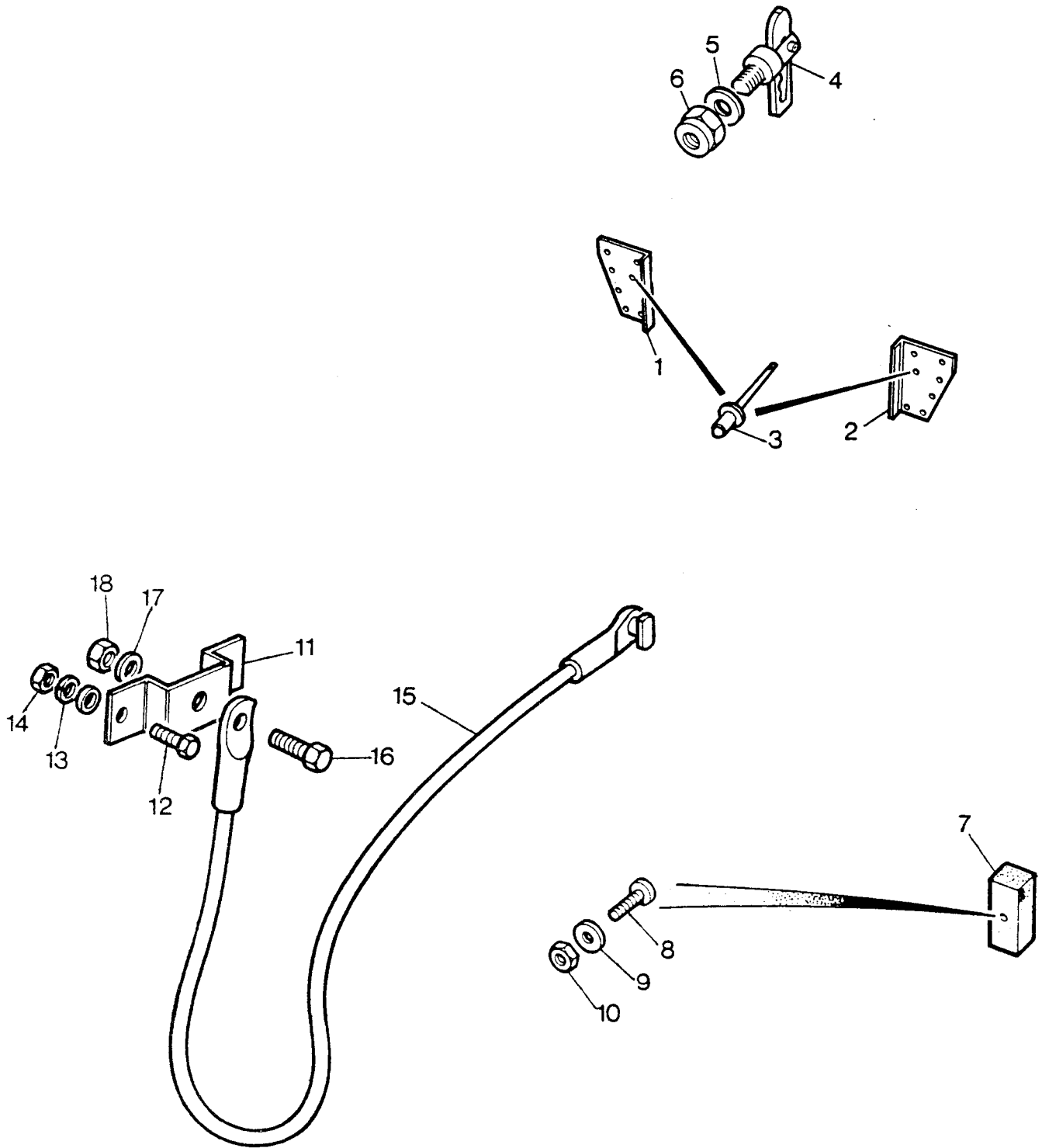
VB 63B  
TAILBOARD - LOWER



BODY - TAILBOARD - LOWER HINGED

ILL	PART NO	DESCRIPTION	QTY	REMARKS
1	MUC8736	Tailboard Assembly	1	
2	MUC8737	Reinforcing Panel	1	
3	MUC8738	Bracket Tailboard Cable RH	1	
	MUC8739	Bracket Tailboard Cable LH	1	
4	RU612253L	Rivet ) Panel to	17	
	RR612063L	Rivet ) Tailboard	8	
5	MUC8740	Hinge-RH	1	
6	MUC8741	Hinge-LH	1	
7	BH106111L	Bolt )	4	
8	MRC5528	Plain Washer ) Hinge to	10	
9	WL106001L	Spring Washer) Tailboard	4	
10	NH106041L	Nut )	4	
11	MUC8746	Locking Plate	2	
12	BH106111L	Bolt )	4	
13	WL106001L	Spring Washer ) Locking Plate	4	
14	NH106041L	Nut ) to Tailboard	4	
15	303975	Seal	1	
16	78321	Rivet-Seal to Tailboard	8	
17	WS600091L	Spring Washer )	1	
18	WA600091L	Plain Washer )Tailboard Hinge	1	
19	PS612080L	Split Pin )	1	
20	332445	Hook-RH	1	
21	332446	Hook-LH	1	

VB 63B  
TAILBOARD - LOWER

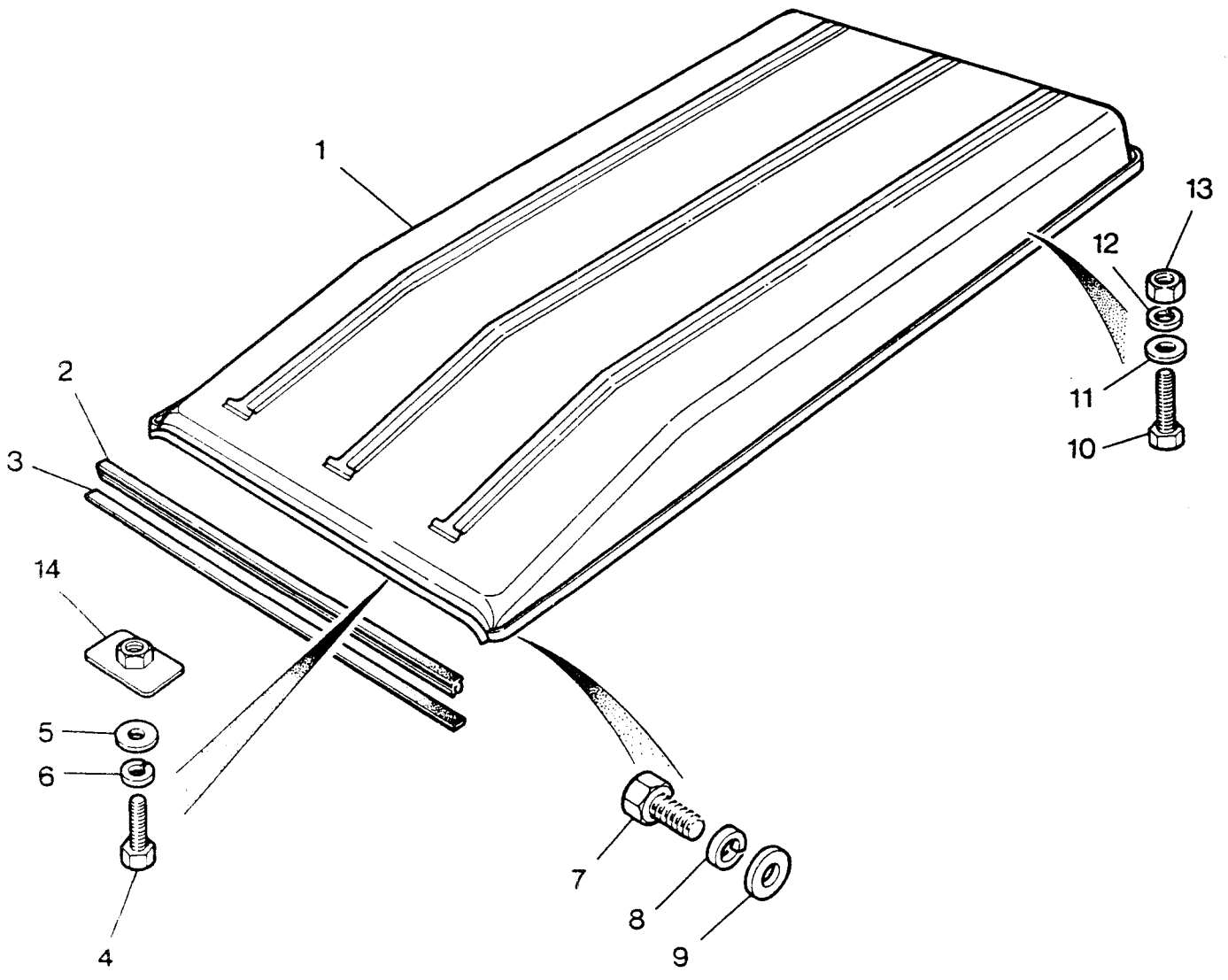


TS 6086

BODY - TAILBOARD - LOWER HINGED

ILL	PART NO	DESCRIPTION	QTY	REMARKS
1	MUC8730	Rear Corner Bracket-Inner RH	1	
2	MUC8731	Rear Corner Bracket-Inner LH	1	
3	RU612373L	Rivet ) Bracket to Body	6	
	RU612253L	Rivet )	4	
4	MUC8748	Antiluce Cotter	2	
5	WA112081L	Plain Washer	2	
6	NY112041L	Nyloc Nut	2	
7	332146	Buffer-Tailboard	2	
8	SP104121L	Screw )	2	
9	WC104001L	Plain Washer) Buffer to Body	2	
10	NH104041L	Nut )	2	
11	MUC8759	Bracket-Tailboard Cable	2	
12	SH106101L	Screw )	4	
13	WL106001L	Spring Washer) Bracket to Body	4	
14	NH106041L	Nut )	4	
15	MTC4188	Cable-Tailboard	2	
16	SH108251L	Screw )	2	
17	WA108051L	Plain Washer) Cable to Bracket	2	
18	NH108041L	Nut )	2	

VB 64A  
HARD TOP

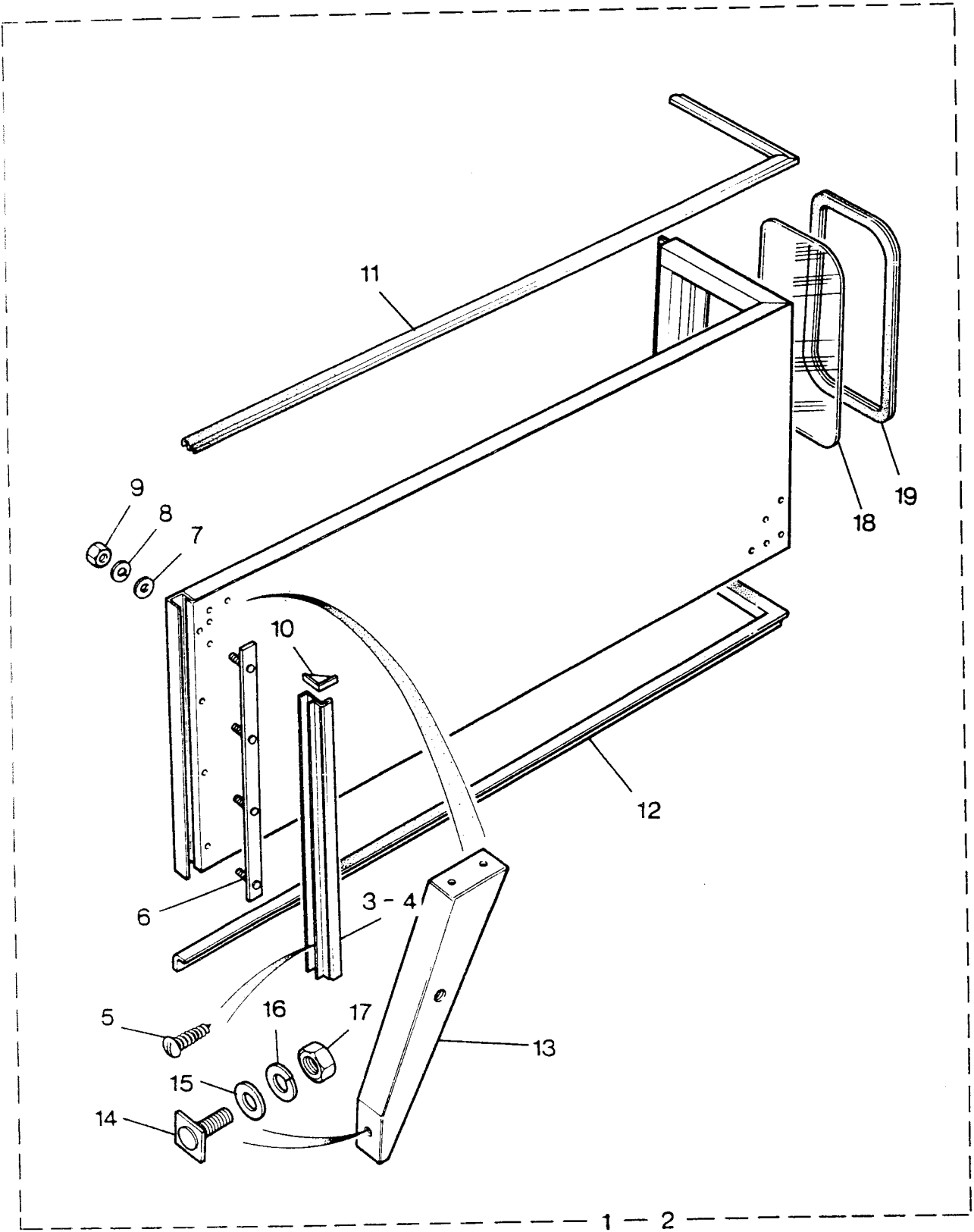


TS 5495

BODY - HARD TOP

ILL	PART NO	DESCRIPTION	QTY	REMARKS
1	MUC6917	Roof Assembly	1	
2	MUC4994	Seal-Roof to Windscreen Inner	1	
3	MTC6568	Seal-Roof to Windscreen Outer	1	
	MTC4290	Seal-Retainer Rear Door	1	
	MUC6400	Seal-Roof to Windscreen Corner	2	
4	SH106161L	Screw )Fixing Roof Header	6	
5	WA106041L	Washer Plain )to Windscreen	6	
6	WL106001L	Washer Spring)	6	
7	SH106161L	Screw )Roof Cantrail to	2	
8	WA106041L	Washer Plain )Windscreen	2	
9	WL106001L	Washer Spring )	2	
10	SH106201L	Screw )	28	
11	WA106041L	Washer Plain )Roof to Upper Body	28	
12	WL106001L	Washer Spring)	28	
13	NH106041L	Nut )	28	
14	MTC3203	Nut Plate	6	

VB 64A  
BODYSIDE ASSEMBLY



VS 3959

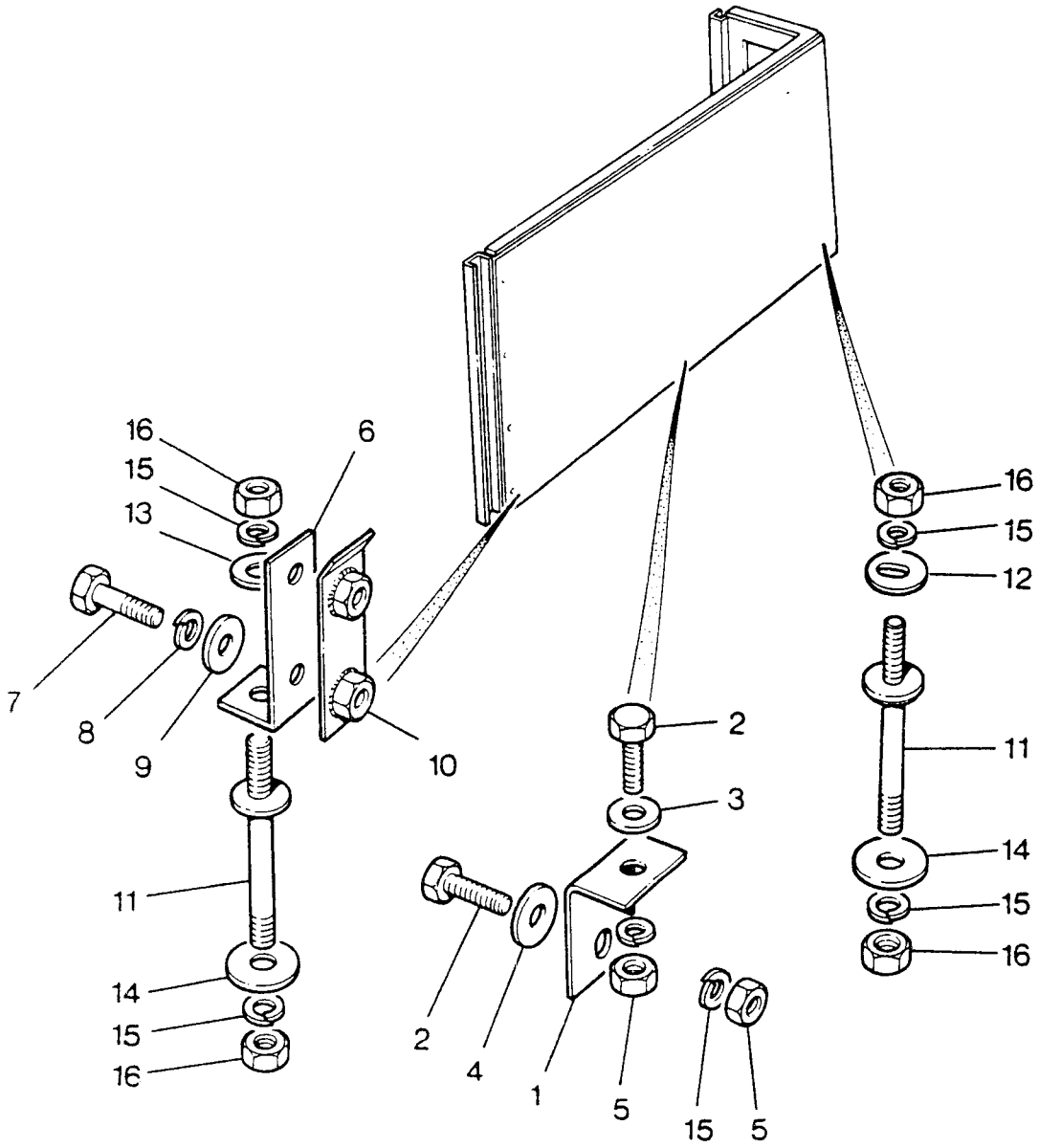


MODEL LAND ROVER  
 BLOCK TS 3959  
 VARIANT VB 64A

BODY - BODYSIDE ASSEMBLY (PLAIN SIDES)

ILL	PART NO	DESCRIPTION	QTY	REMARKS
1	MUC4830	Bodyside Assembly RH	1	
2	MUC4831	Bodyside Assembly LH	1	
3	MTC5394	Finisher & Seal Retainer RH	1	
4	MTC5395	Finisher & Seal Retainer LH	1	
5	78832	Screw )Retainer to	6	
	AFU1080	Washer Plain)Pillar	6	
6	MUC3566	Stud Plate-Front Pillar	2	
7	WA105001L	Washer Plain )Fixing Stud	8	
8	WL105001L	Washer Spring)Plate to	8	
9	NM105011	Nut )Bodyside	8	
10	332215	Seal-Door Pillar Upper	4	
11	334610	Seal-Bodyside Upper RH	1	
	334611	Seal-Bodyside Upper LH	1	
12	333490	Seal-Bodyside Lower	2	
13	395586	Seat Belt Bracket RH	1	
	395587	Seat Belt Bracket LH	1	
14	MRC7626	Bolt Plate )Fixing Seat Belt	2	
15	WB106041L	Washer Plain )Bracket	2	
16	WL106001L	Washer Spring)	2	
17	NH106041L	Nut )	2	
18	MTC3476	Glass Rear End Door	2	
19	306287	Glazing Rubber	2	

VB 64A  
BODYSIDE MOUNTING



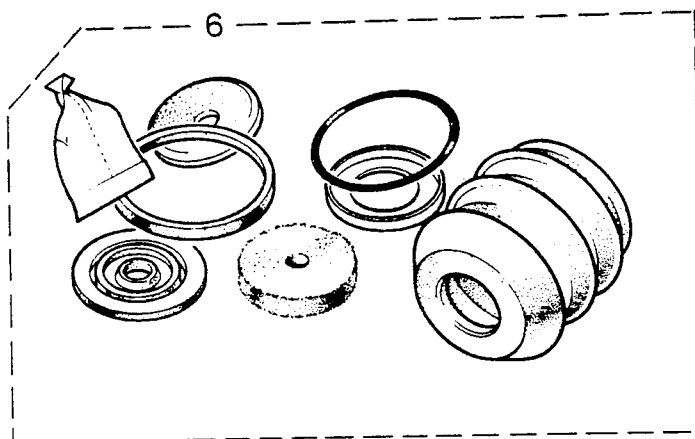
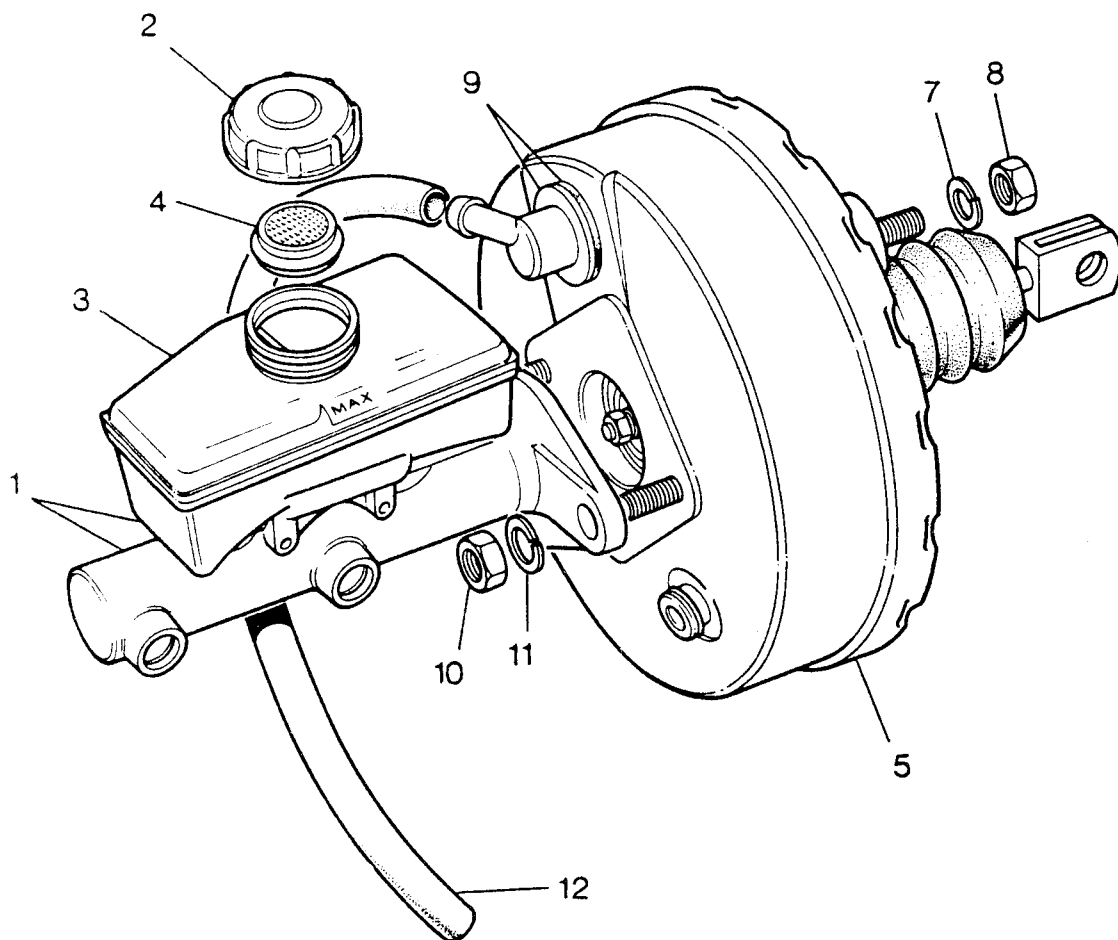
VS 4110

MODEL LAND ROVER  
 BLOCK VS 4110  
 VARIANT VB 64A

BODY - BODYSIDE MOUNTING

ILL	PART NO	DESCRIPTION	QTY	REMARKS
1	332201	Support Bracket Bodyside	4	
2	SH106201L	Screw )	8	
3	MRC5527	Washer Plain ) Fixing Support	16	
4	WL106001L	Washer Plain ) Bracket	8	
5	NH106041L	Nut )	8	
6	338554	Mounting Angle - Front Pillar	2	
7	SH108161L	Screw )	4	
8	WL108001L	Washer Spring) Fixing Mounting	4	
9	WC108051L	Washer Plain ) Angle	4	
10	MUC1324	Nut Plate )	4	
11	338741	Mounting Stud	6	
12	332293	Washer )	2	
13	3830L	Washer Plain )Fixing Mounting	2	
14	WP185L	Washer Plain )Stud	4	
15	WM600051L	Washer Spring)	8	
16	NH605041L	Nut )	8	

VC 09B  
MASTER CYLINDER AND SERVO

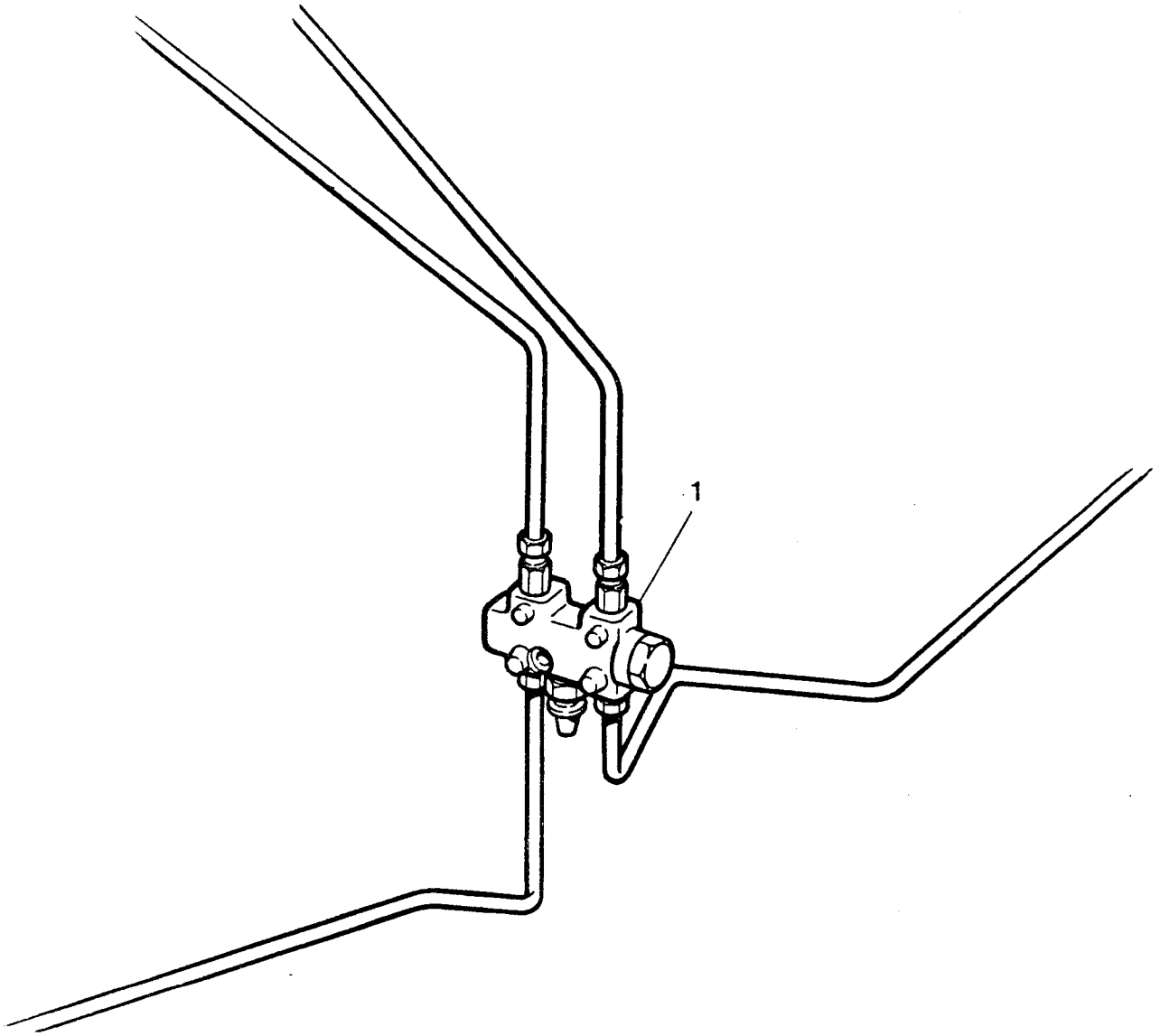


VS 4037

BRAKES - MASTER CYLINDER AND SERVO

ILL	PART NO	DESCRIPTION	QTY	REMARKS
1	NRC8690	Master Cylinder Assembly	1	
2	AAU7965	Cap-Master Cylinder	1	
3	AEU1045	Fluid Reservoir Kit	1	
	AEU1044	Roll Pin	2	
	AEU3015	Repair Kit-Master Cylinder	1	
4	592324	Filter-Fluid Reservoir	1	
	AEU1891	Seal-Master Cylinder to Servo	1	
5	NRC4772	Servo Assembly	1	
6	AEU2741	Repair Kit-Servo	1	
7	WL108001L	Spring Washer ) Servo to	4	
8	NH108041L	Nut ) Pedal Box	4	
9	18G8953L	Kit-Non Return Valve	1	
10	NH110041L	Nut ) Master Cylinder	2	
11	WL110001L	Washer ) to Servo	2	
12	CRC2131	Hose-Servo to Manifold	1	

VC 09B  
BRAKE PIPES



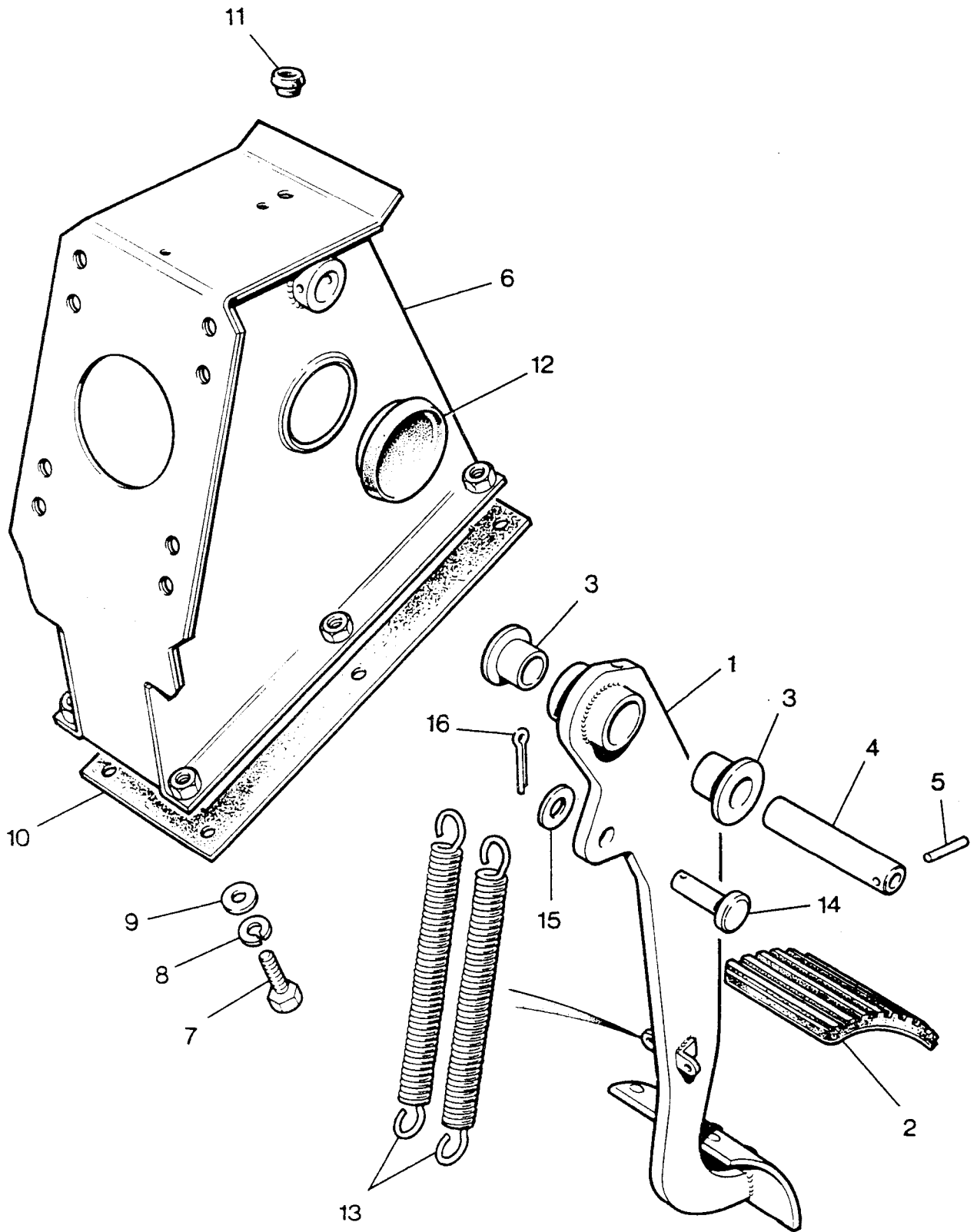
VS 3962

MODEL LAND ROVER  
BLOCK VS 3962  
VARIANT VC 09B

BRAKES - BRAKE PIPES, FRONT

ILL	PART NO	DESCRIPTION	QTY	REMARKS
1	NRC6515	P.D.W.A. Valve	1	

VC 09B  
BRAKE PEDAL



VS 3969A



BRAKES - BRAKE PEDAL

ILL	PART NO	DESCRIPTION	QTY	REMARKS
1	NTC1077	Brake Pedal	1	
2	61K738	Rubber-Brake Pedal	1	
3	564816	Bush-Brake Pedal	2	
4	564813	Pedal Shaft	1	
5	50446	Pin	1	
6	NRC6058	Pedal Box	1	
7	GG108251L	Screw )	6	
8	WL108001L	Spring Washer ) Pedal	6	
9	WA108051L	Plain Washer ) Box to	6	
10	NRC8886	Gasket ) Dash	1	
11	AFU2627	Plug-Sealing	1	
12	338029	Plug-Sealing	2	
13	569291	Spring-Pedal Return	2	
	NRC7869	Sleeve-Brake Pedal Spring	2	
14	NRC4665	Clevis Pin )	1	
15	WA112081L	Plain Washer ) Pedal to Servo	1	
16	PS106201	Split Pin )	1	
	NRC9169	Sealing Strip ) Servo to	1	
	NRC9233	Sealant Ring ) Pedal Box	1	

**NO  
ILLUSTRATION**

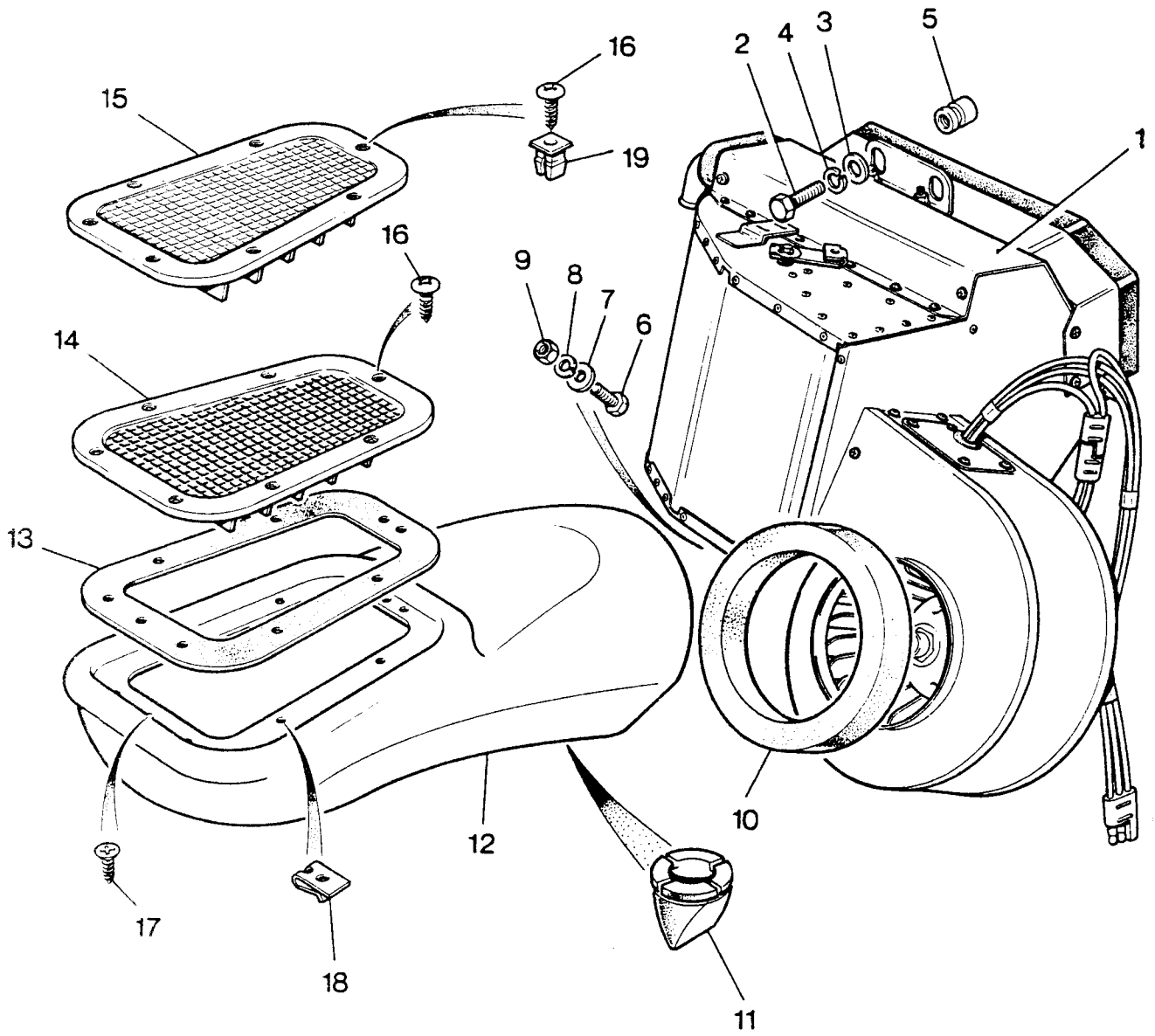
MODEL LAND ROVER  
BLOCK  
VARIANT VC 18A &  
VC 18C

HEATER

Variant VC 18A Heater 12 Volt RHD Petrol And Diesel  
Variant VC 18C Heater 12 Volt LHD Petrol And Diesel

These Variants are identical to the Civilian Heater.  
For Breakdown of Heater & Heater Assemblies refer to  
Civilian Parts Catalogue.

VC 18G & H  
HEATER ASSEMBLY



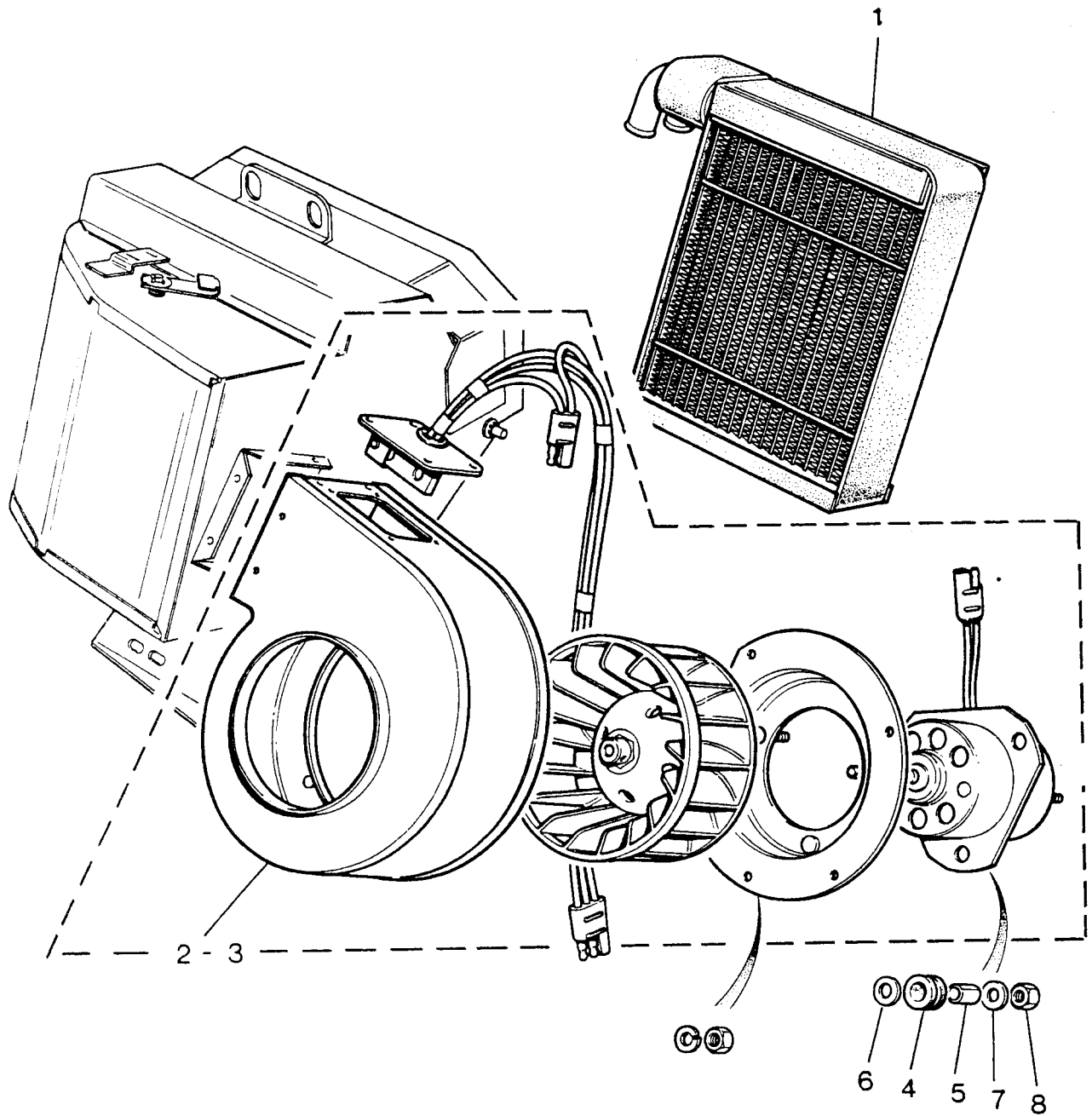
MODEL LAND ROVER  
 BLOCK TS 5490  
 VARIANT VC 18G &  
 VC 18H

HEATING SYSTEM - HEATER ASSEMBLY (SUPPRESSED)

ILL	PART NO	DESCRIPTION	QTY	REMARKS
1	RRC3525	Heater Assembly	1	VC 18G
	RRC3524	Heater Assembly	1	VC 18H
2	SH108161L	Screw )	2	
3	RTC610	Plain Washer ) Heater to Dash	2	
4	WL108001L	Spring Washer)	2	
5	NN108011L	Nutsert )	2	
6	SH106161L	Screw )	2	
7	WA106041L	Plain Washer )Heater to Toe	2	
8	WL106001L	Spring Washer )Box	2	
9	NH106041L	Nut )	2	
10	MRC8378	Seal	1	
11	MUC2417	Dump Valve	1	
12	MUC2418	Duct-Air Intake RH	1	VC 18H
	MUC2419	Duct-Air Intake LH	1	VC 18G
13	MRC9998	Seal-Duct to Wing	1	
14	MRC9939	Finisher-Air Intake-LH	1	
15	MRC9940	Finisher-RH	1	
16	AB608065L	Drive Screw	14	
17	AC608041L	Drive Screw	4	
18	AJ608041L	Spire Clip	9	
19	CZK619L	Lokut Nut	9	

Heater Assembly VC 18G RHD (Suppressed)  
 Heater Assembly VC 18H LHD (Suppressed)

VC 18G & H  
HEATER MOTOR



VS 4072A

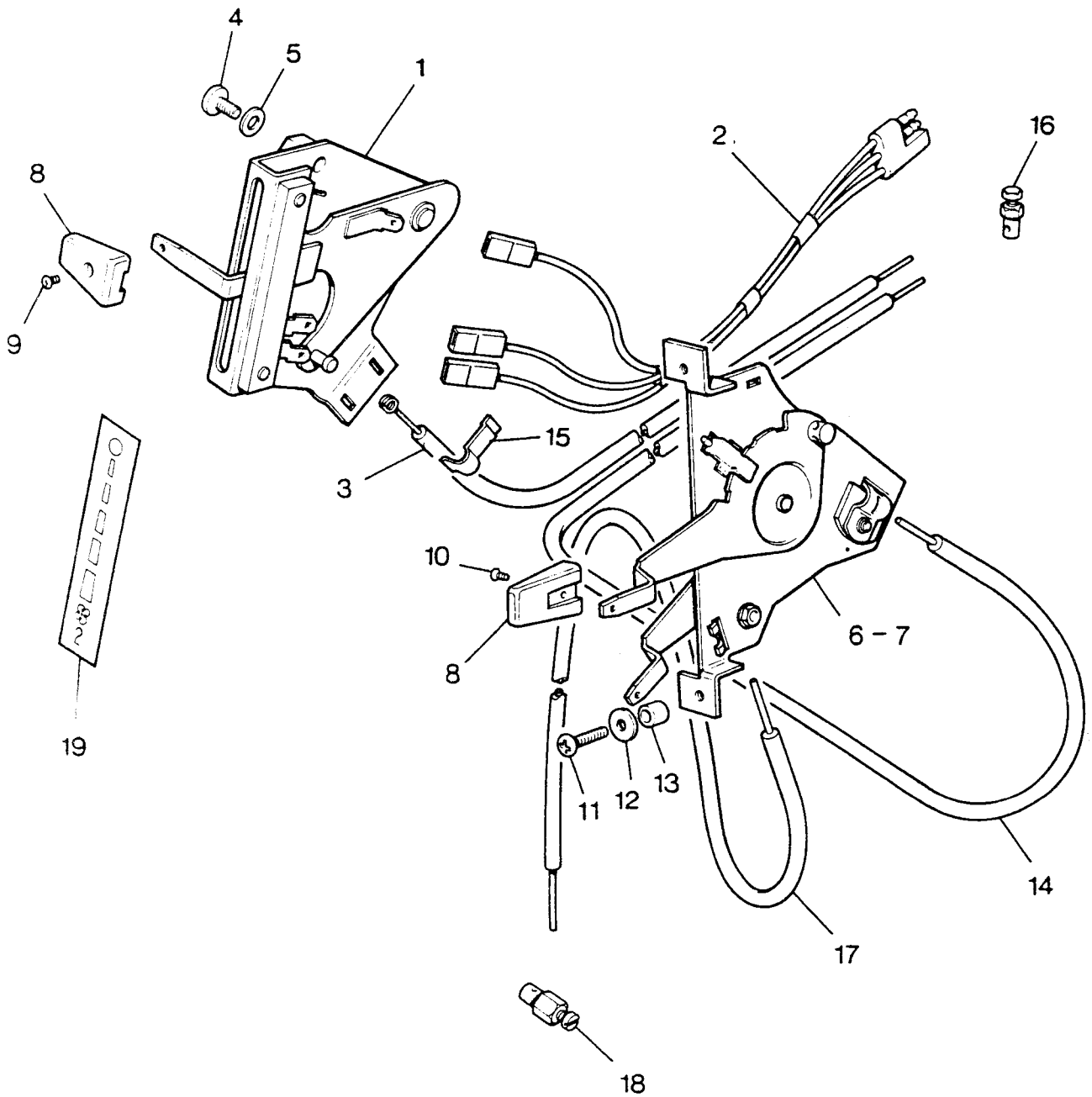
MODEL LAND ROVER  
BLOCK TS 4072/A  
VARIANT VC 18G &  
VC 18H

HEATING SYSTEM - HEATER MOTOR

ILL	PART NO	DESCRIPTION	QTY	REMARKS
1	AAP817	Radiator	1	)Part of
2	UTP1267	Motor and Rotor Assembly VC 18G	1	)Heater
3	UTP1268	Motor and Rotor Assembly VC 18H	1	)Assembly
4	CZK6473	Grommet	3	)
5	CZK6486	Spacer	3	)
6	WA105001L	Plain Washer	3	)
7	WL105001L	Spring Washer	3	)
8	NH105041L	Nut	3	)

Heater Assembly VC 18G RHD (Suppressed)  
Heater Assembly VC 18H LHD (Suppressed)

VC 18G & H  
HEATER CONTROLS



VS 4075A



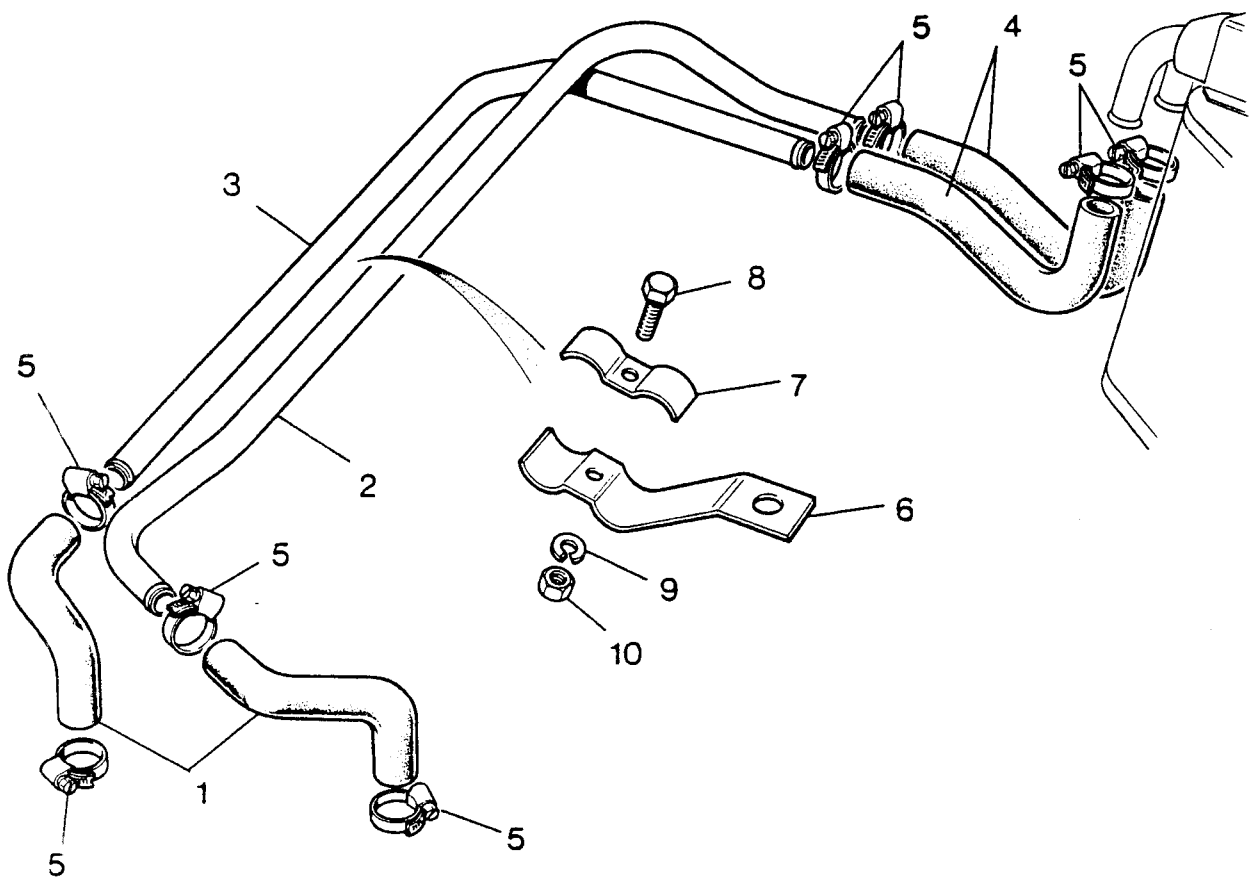
MODEL LAND ROVER  
 BLOCK VS 4075/A  
 VARIANT VC 18G &  
 VC 18H

HEATING SYSTEM - HEATER CONTROLS

ILL	PART NO	DESCRIPTION	QTY	REMARKS
1	UTP1126	Control Assembly-Outlet	1	)
2	AAP890	Wiring Harness	1	)Part of
3	AAP876	Control Cable-Outlet	1	)Heater
4	SE105161L	Screw-Control to Cowl	2	)Assembly
5	WA105001L	Plain Washer-Control to Cowl	2	)
6	346924	Mounting Plate and Levers	1	VC 18G
7	347586	Mounting Plate and Levers	1	VC 18H
8	MTC2805	Knob-Lever	3	
9	SG103084L	Screw-Knob Fixing	1	
10	MTC7737	Screw-Knob Fixing	2	
11	SE808244L	Screw )Fixing Mounting	2	
12	WA105004L	Plain Washer )Plate to Dash	2	
13	MRC9922	Spacer )	2	
14	MTC6194	Control Cable - Blend	1	
15	13H7343	Cable Clip ) Control Cables	2	
16	MTC5760	Trunnion )	2	
17	347939	Control Cable-Distribution	1	
18	566902	Trunnion-Distribution Cable	1	
19	MTC6007	Label - Fan	1	
	MTC6006	Label - Heater	1	

Heater Assembly VC 18G RHD (Suppressed)  
 Heater Assembly VC 18H LHD (Suppressed)

VC 18G & H  
HEATER PIPES



VS 4073

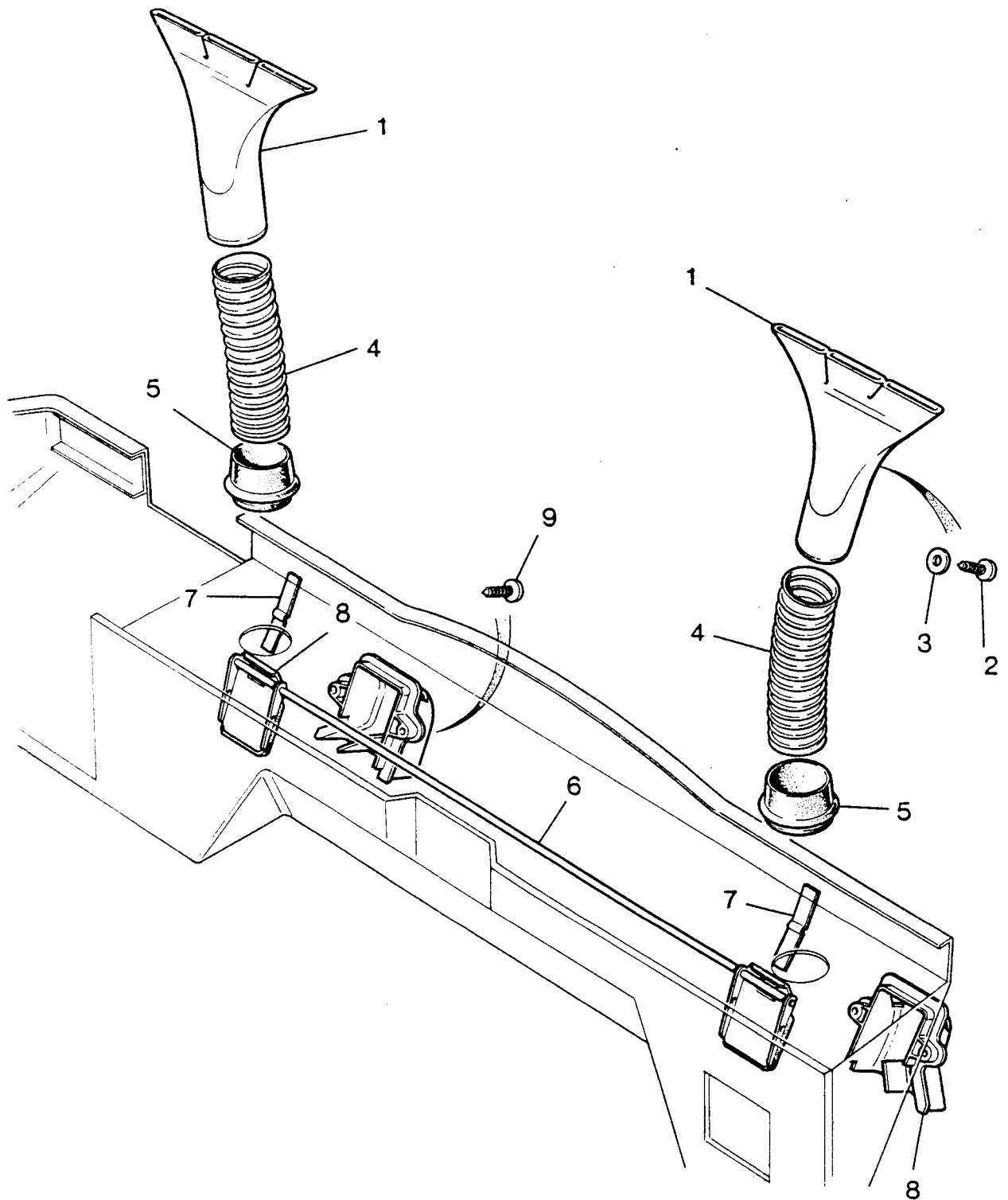
MODEL LAND ROVER  
 BLOCK VS 4073  
 VARIANT VC 18G &  
 VC 18H

HEATING SYSTEM - HEATER PIPES

ILL	PART NO	DESCRIPTION	QTY	REMARKS
1	NRC6306	Hose-Engine Feed & Return	2	
2	NRC6307	Pipe-Heater Feed	1	VC 18G
	NRC6422	Pipe-Heater Feed	1	VC 18H
3	NRC6420	Pipe-Heater Return	1	VC 18G
	NRC6421	Pipe-Heater Return	1	VC 18H
4	NRC6308	Hose-Heater Feed & Return	2	VC 18G
	NRC6309	Hose-Heater Feed & Return	2	VC 18H
5	NRC1362	Hose-Clip	8	
6	NRC6418	Clip-Pipes to Engine	1	
7	NRC6419	Saddle Clip	3	
8	SH106251L	Screw )	2	
9	WL106001L	Washer Spring)Fixing Clips	2	
10	NH106041L	Nut )	2	

Heater Assembly VC 18G - RHD (Suppressed)  
 Heater Assembly VC 18H - LHD (Suppressed)

VC 18G & H  
HEATER DEMISTERS



VS 407-

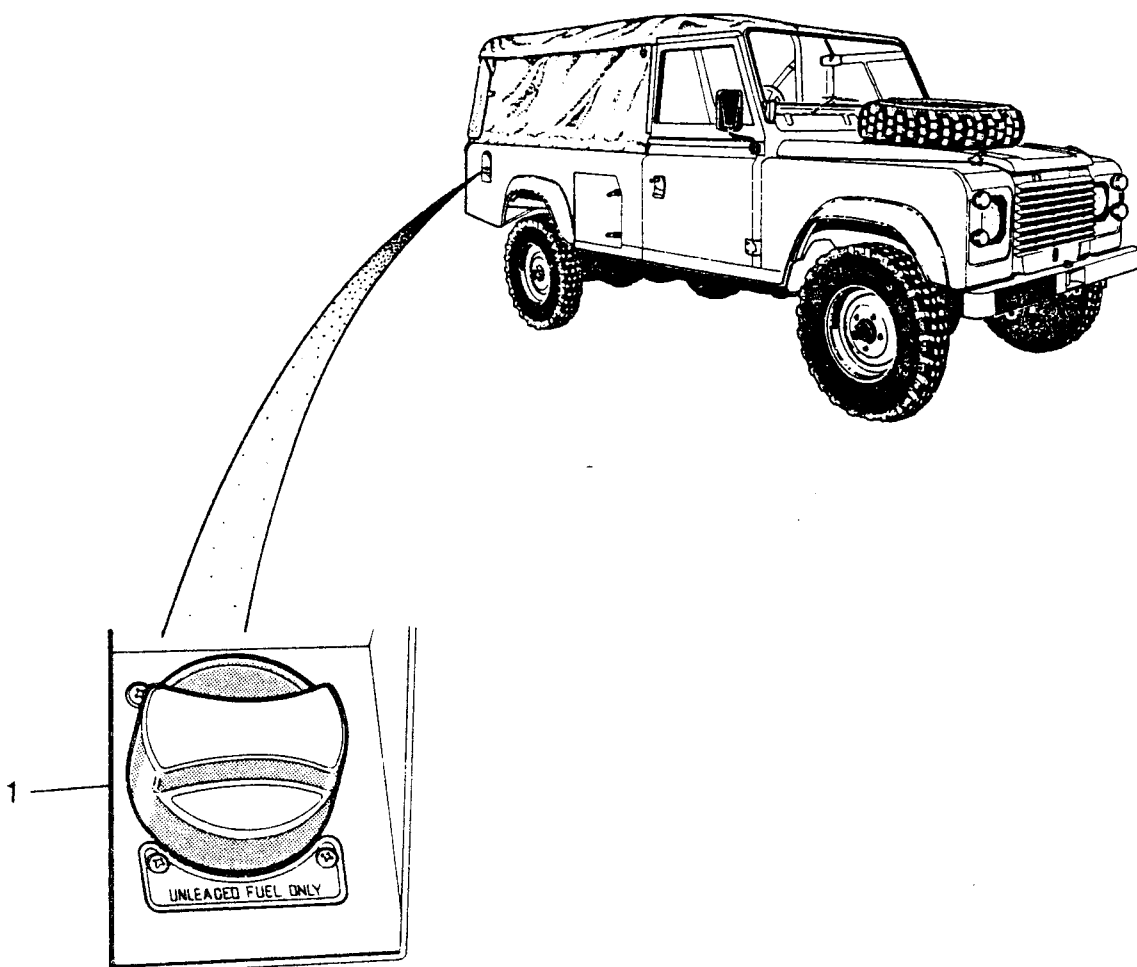
MODEL LAND ROVER  
 BLOCK VS 4071  
 VARIANT VC 18G &  
 VC 18H

HEATING SYSTEM - DEMISTERS & OUTLET FLAPS

ILL	PART NO	DESCRIPTION	QTY	REMARKS
1	MRC9668	Ventilator Outlet-RH	1	
	MRC9669	Ventilator Outlet-LH	1	
2	AB608041L	Screw	2	
3	WA105001L	Plain Washer	2	
4	MTC6382	Flexible Tube-Demister	2	
5	MRC7281	Grommet-Flexible Tube	2	
6	346894	Outlet Flaps Complete	1	
7	346976	Spring-Outlet Flaps	2	
8	395829	Ventilator Duct-Outlet Grille-RH	1	
	395830	Ventilator Duct-Outlet Grille-LH	1	
9	MRC1525	Screw-Grille to Duct	4	

Heater Assembly VC 18G RHD (Suppressed)  
 Heater Assembly VC 18H LHD (Suppressed)

VC 21B  
FUEL CAP



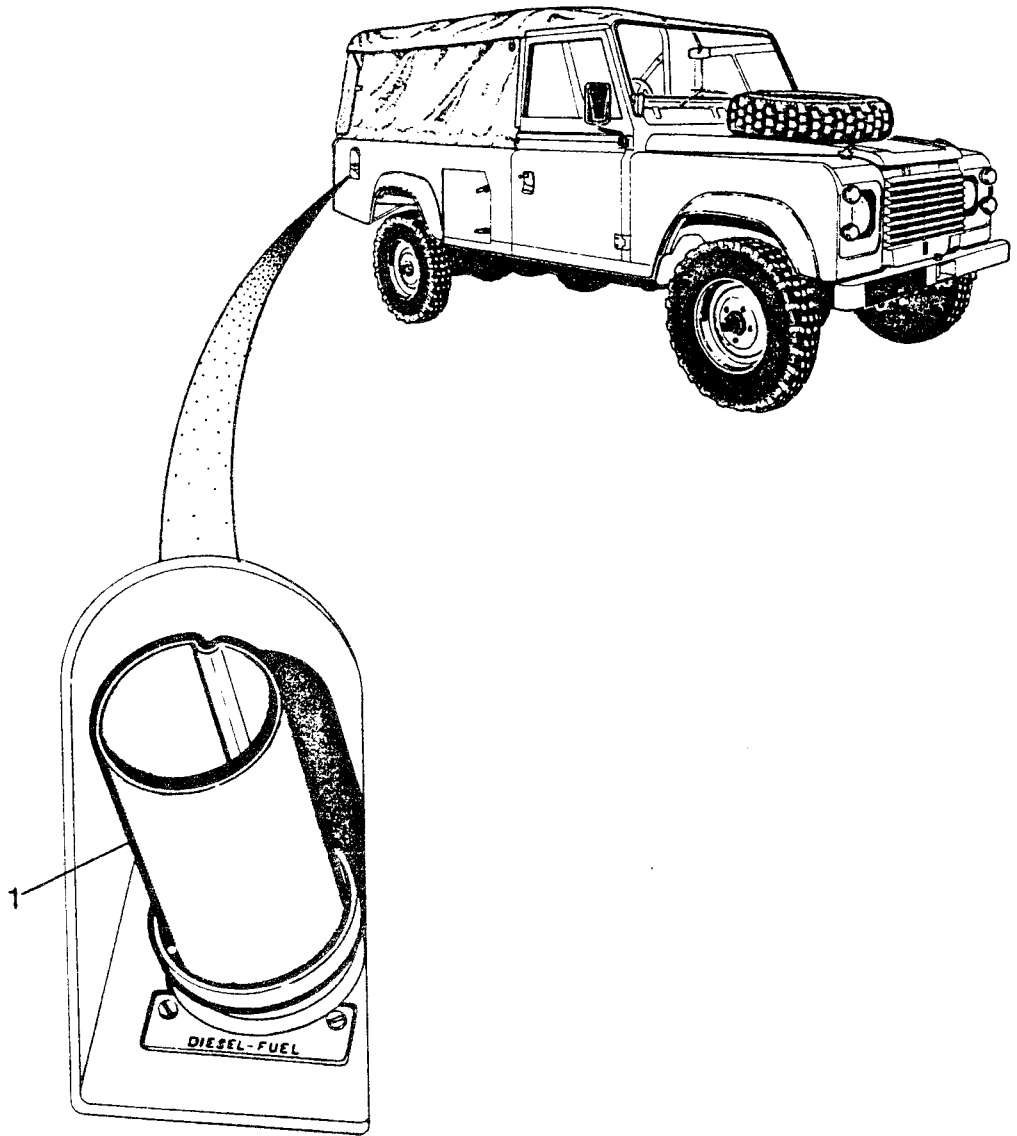
LR 2150

MODEL LAND ROVER  
BLOCK LR 2150  
VARIANT VC 21B

FUEL SYSTEM - FUEL CAP (NON LOCKING)

ILL	PART NO	DESCRIPTION	QTY	REMARKS
1	NTC2757	Fuel Filler Cap	1	

VC 23A  
FUEL FILLER EXTENSION



LR 2151

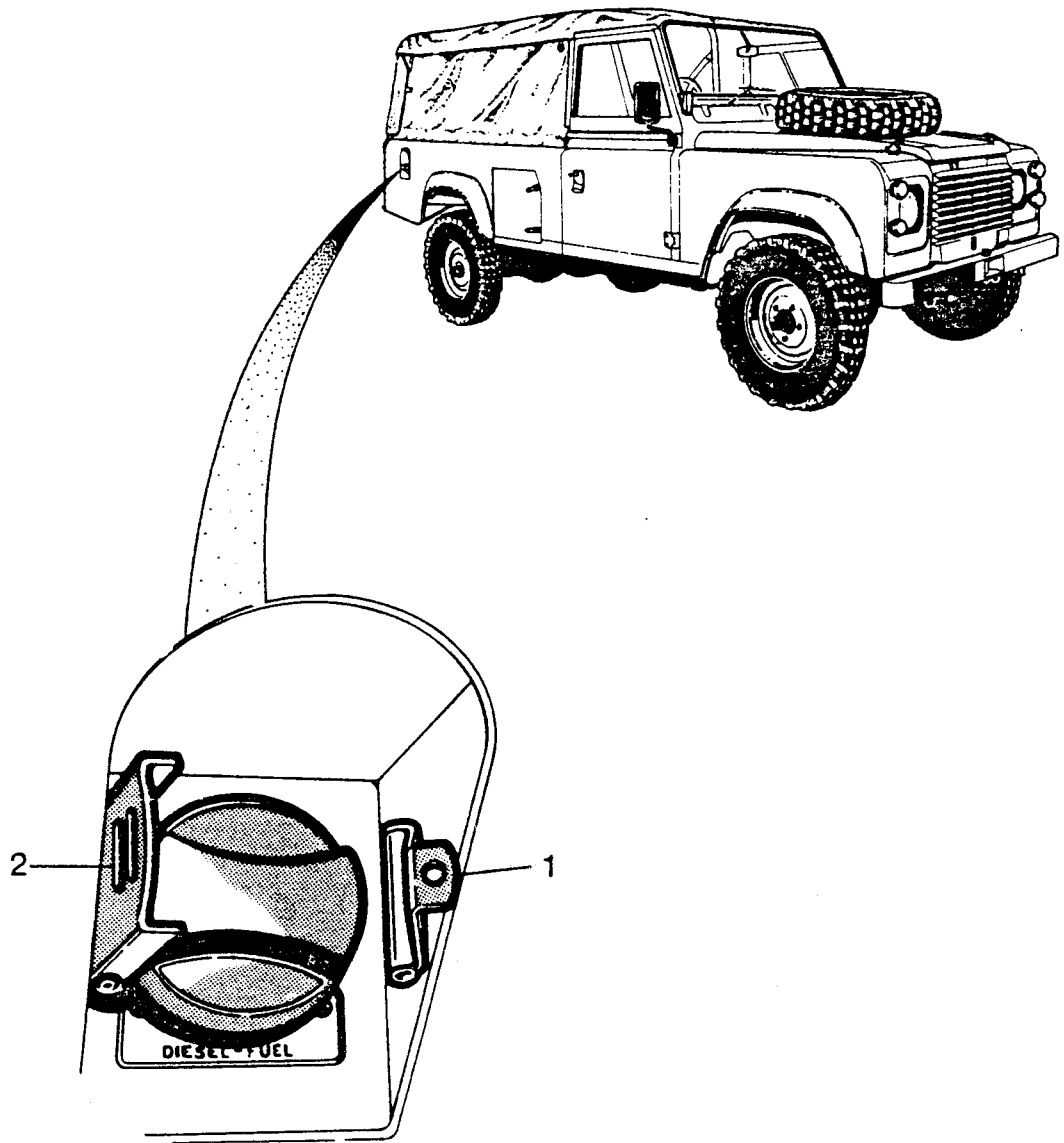


MODEL LAND ROVER  
BLOCK LR 2151  
VARIANT VC 23A

FUEL FILLER EXTENSION NECK

ILL	PART NO	DESCRIPTION	QTY	REMARKS
1	NTC2655	Extension Tube	1	

VC 25A  
FUEL CAP LOCKING HASP

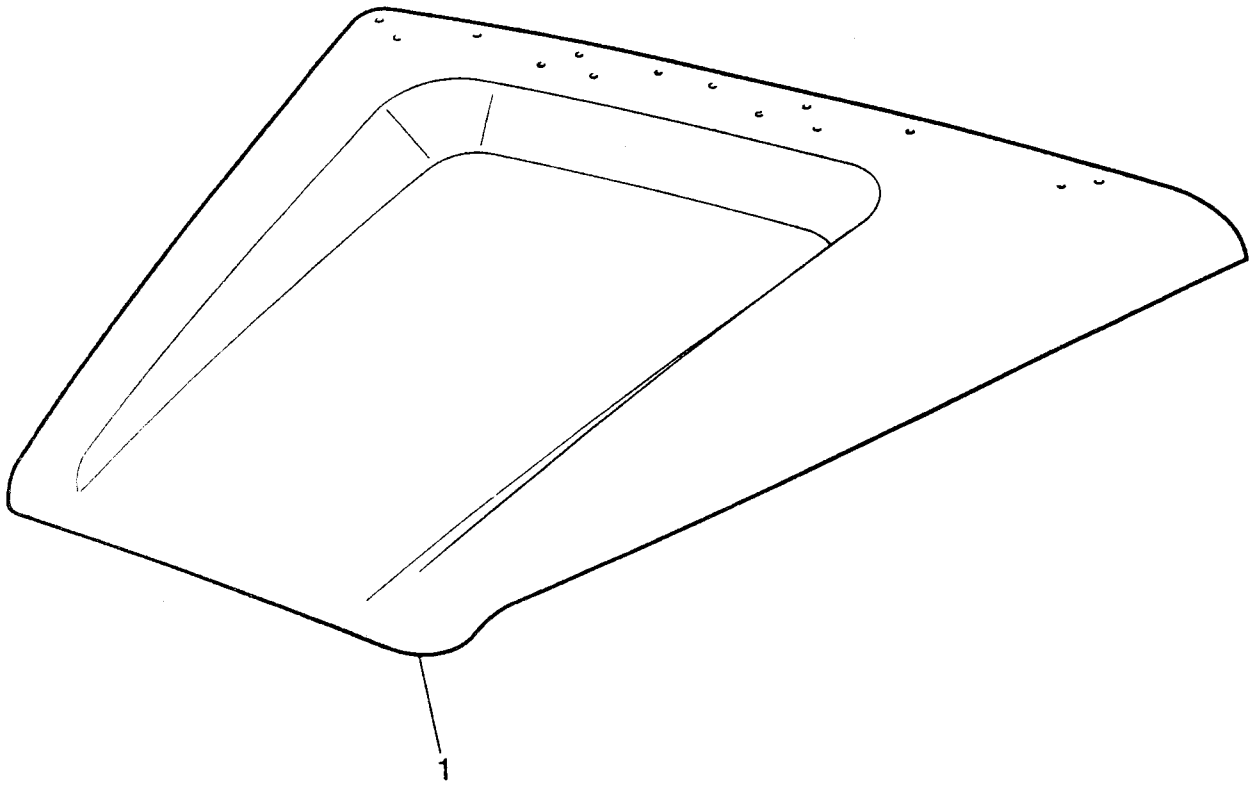


LR 2150

MODEL LAND ROVER  
BLOCK LR 2150  
VARIANT VC 25A

FUEL CAP LOCKING HASP

ILL	PART NO	DESCRIPTION	QTY	REMARKS
1	RRC3683	Catch Plate	1	
2	RRC3684	Hasp Assembly	1	

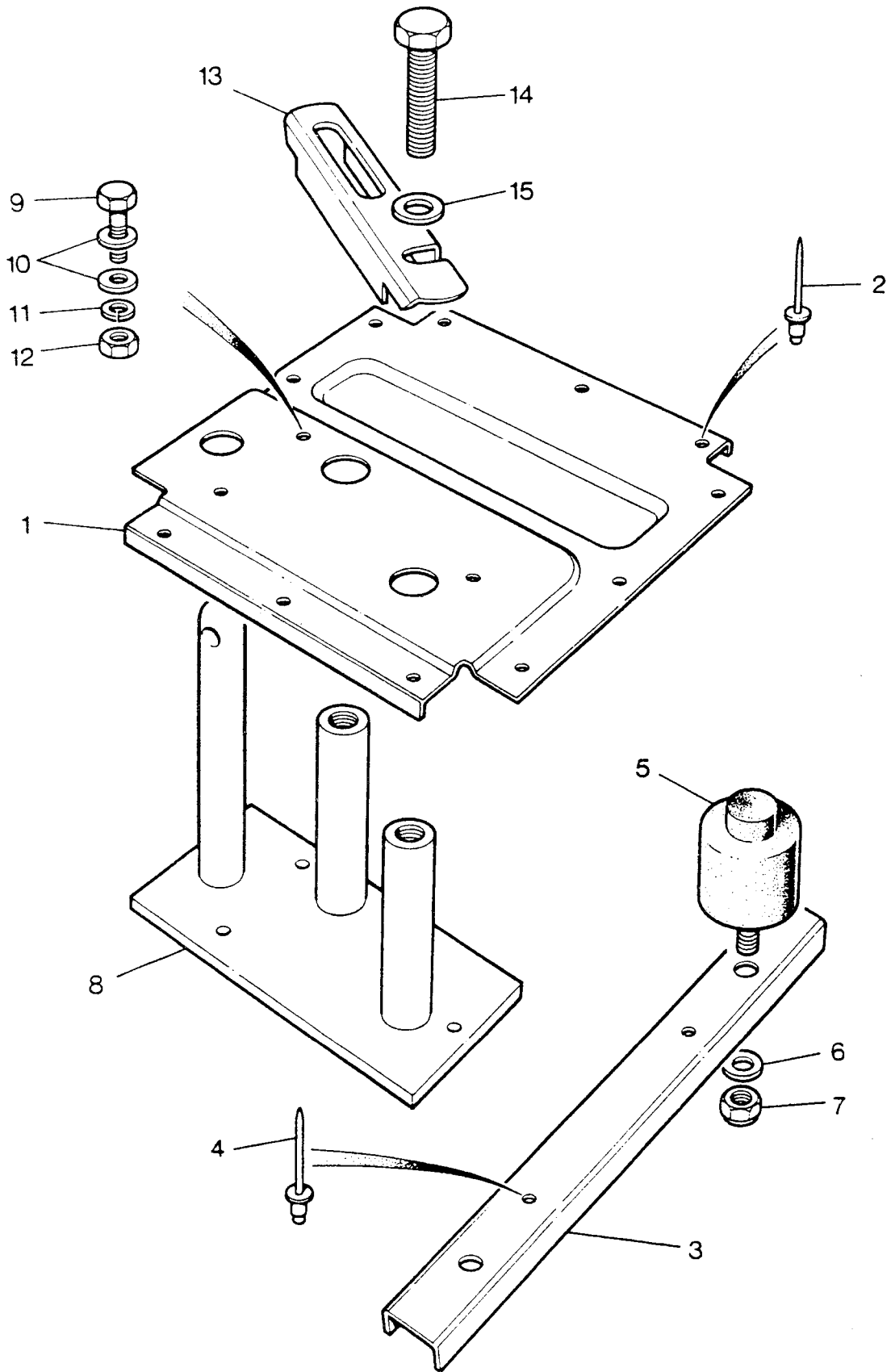


MODEL LAND ROVER  
BLOCK VS 3794  
VARIANT VC 53E

BODY - BONNET

ILL	PART NO	DESCRIPTION	QTY	REMARKS
1	MTC1682	Bonnet Assembly	1	

VC53E  
SPARE WHEEL MOUNTING

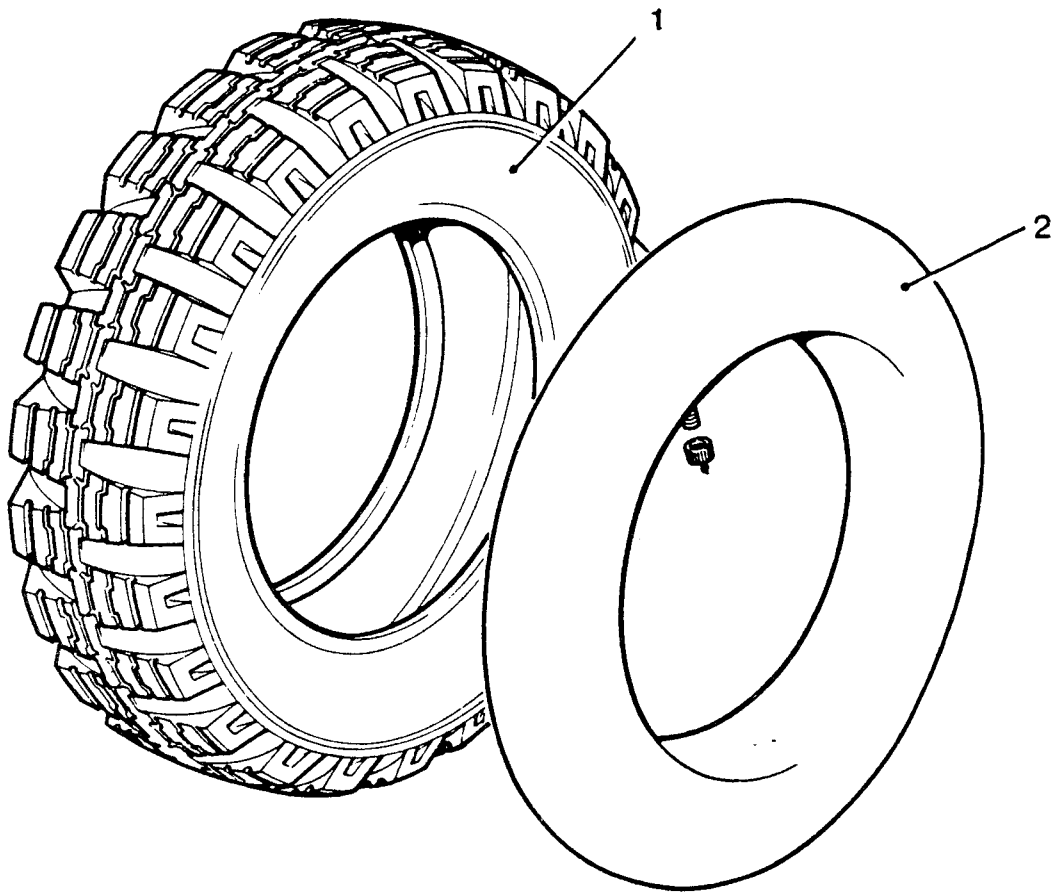


VS 3796

MODEL LAND ROVER  
BLOCK VS 3796  
VARIANT VC 53E

BODY - SPARE WHEEL MOUNTING ON BONNET

ILL	PART NO	DESCRIPTION	QTY	REMARKS
1	MTC3594	Plate	1	
2	RA612183L	Rivet	11	
3	MTC4570	Reinforcement for Buffer	2	
4	RA612183L	Rivet	4	
5	MRC4619	Buffer	4	
6	WB108051L	Plain Washer	4	
7	NY108041L	Nyloc Nut	4	
8	MTC3598	Clamping Plate	1	
9	SH105161L	Screw	3	
10	WA105001L	Plain Washer	6	
11	WL105001L	Spring Washer	3	
12	NH105041L	Nut	3	
13	MRC5063	Retainer for Spare Wheel	1	
14	MRC4473	Bolt	2	
15	WD112081L	Plain Washer	2	

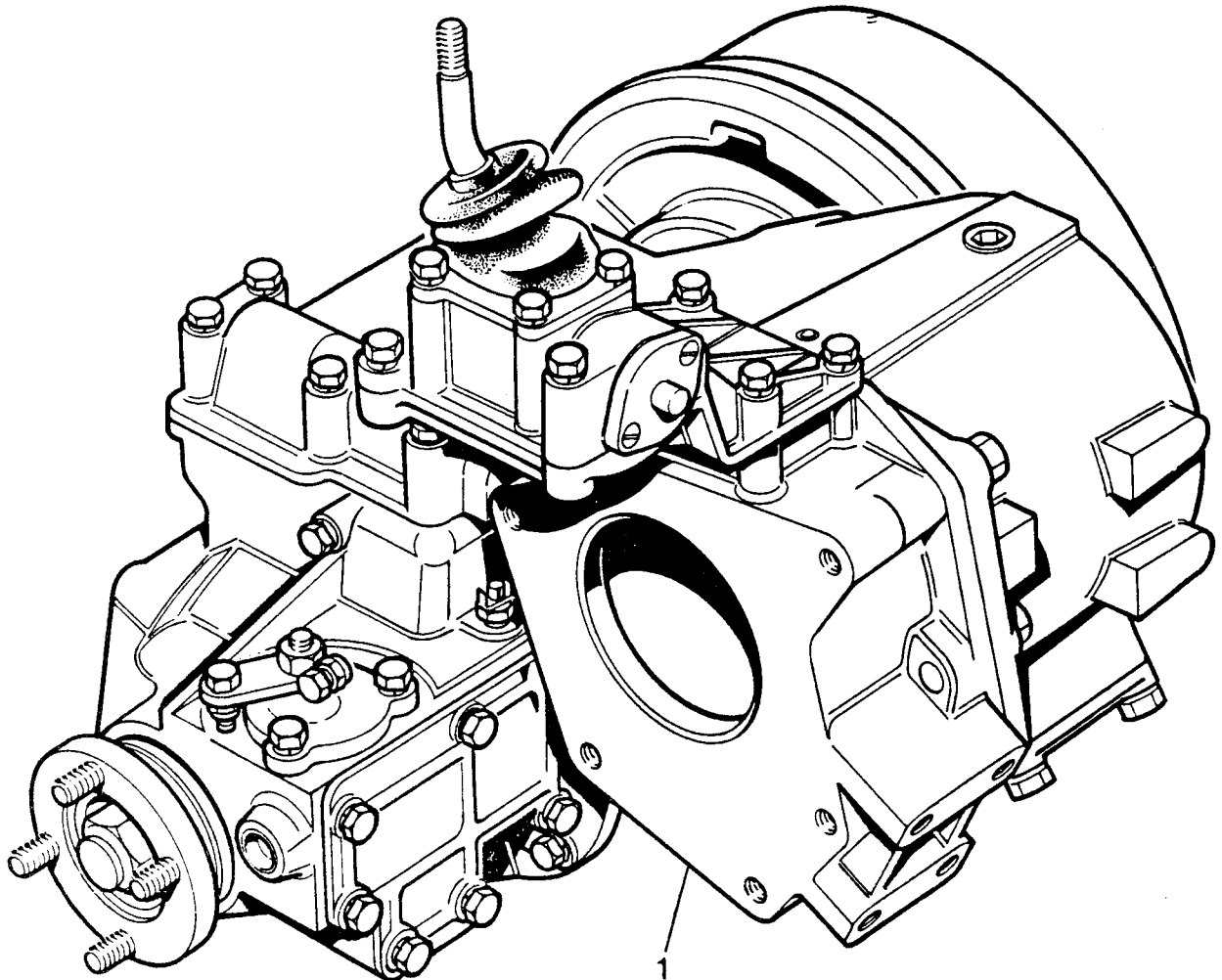




MODEL LAND ROVER  
BLOCK DA 104  
VARIANT VC 62A

MICHELIN XCL 750 X 16 TYRES

ILL	PART NO	DESCRIPTION	QTY	REMARKS
1	Direct From	Tyre 750 x 16	5	
2	Supplier	Inner Tube 750 x 16	5	



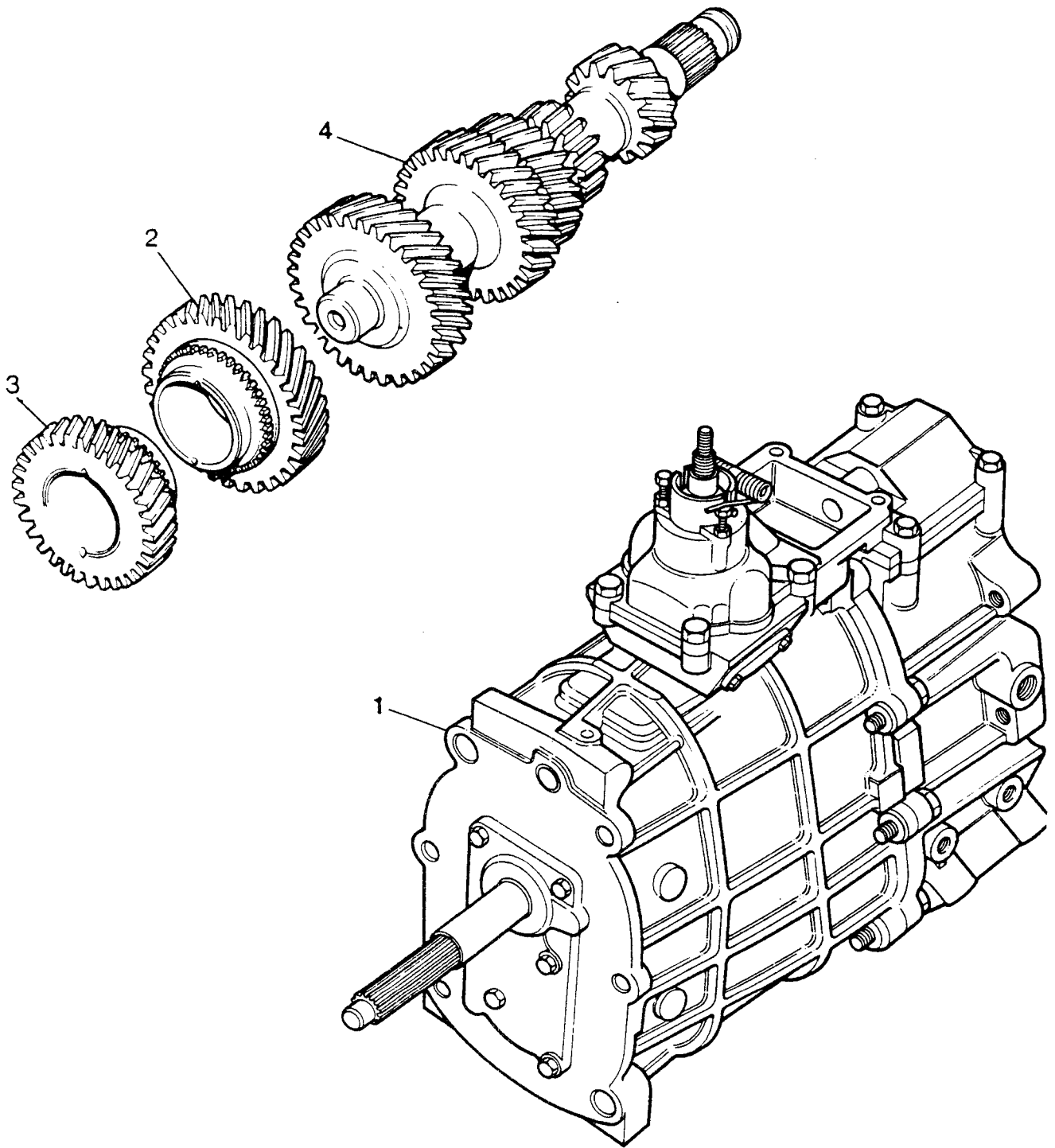
MODEL LAND ROVER  
BLOCK VS 3742A  
VARIANT VC 71D

GEARBOX - TRANSFER BOX (230T)

ILL	PART NO	DESCRIPTION	QTY	REMARKS
1	FRC8260N	Transfer Box Assembly	1	Serial Prefix 20D

For Breakdown of Transfer Box Assembly Refer to Civilian  
Parts Catalogue.

VC 71D  
GEARBOX ASSEMBLY



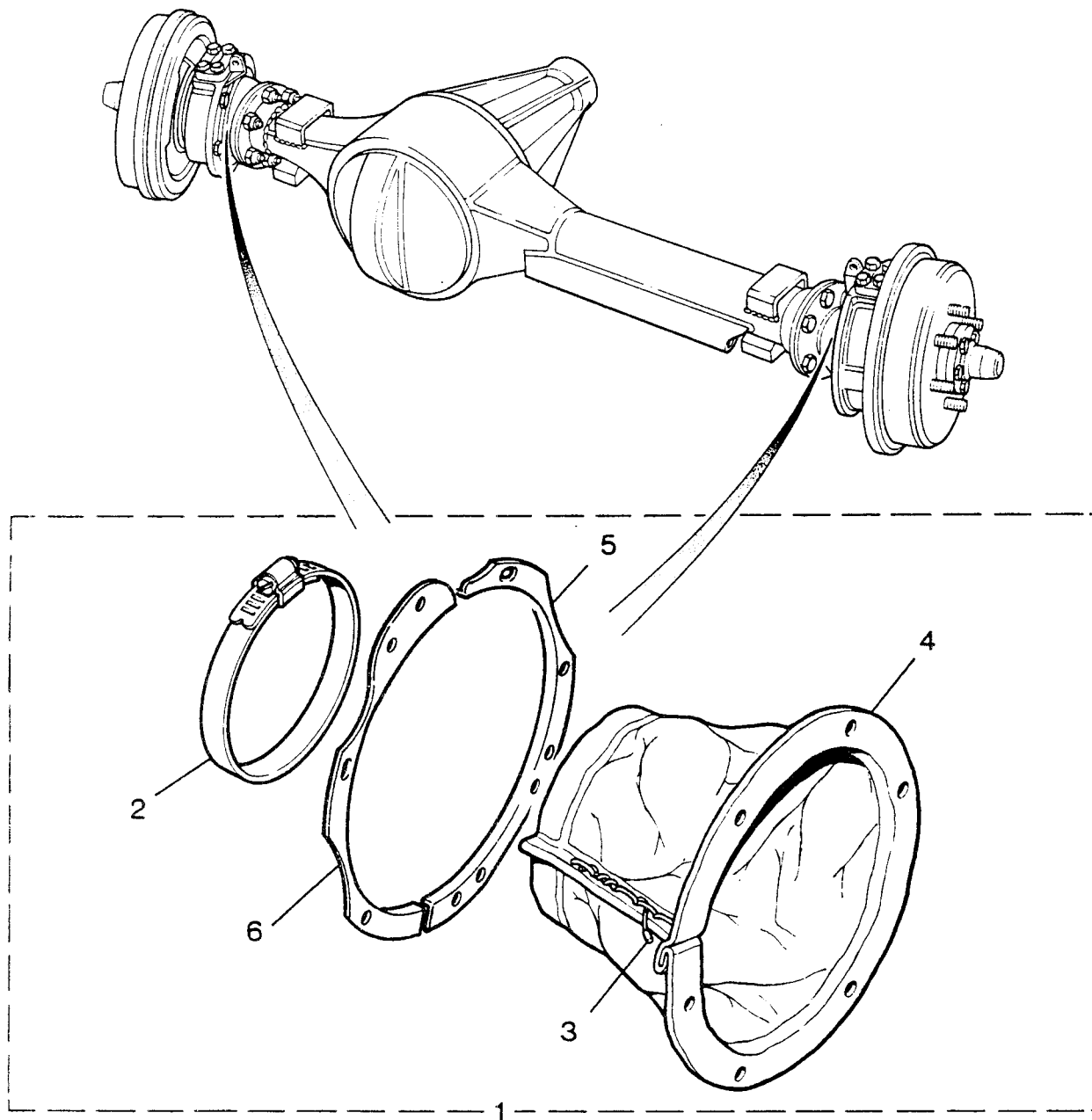
TS 5039

MODEL LAND ROVER  
BLOCK TS 5039  
VARIANT VC 71D

GEARBOX - GEARBOX ASSEMBLY (LOW RATIO) 5 SPEED

ILL	PART NO	DESCRIPTION	QTY	REMARKS
1	FRC8860N	Gearbox Assembly	1	Prefix 51A
	FRC3412	Drain Plug-Gearbox	1	
2	FRC6690	Gear 1st Speed	1	
3	FRC6691	Gear 2nd Speed	1	
4	FRC7600	Gear-Layshaft Cluster	1	

The above details differ from the Civilian Gearbox,  
for remainder of Gearbox details refer to Civilian  
Parts Catalogue.

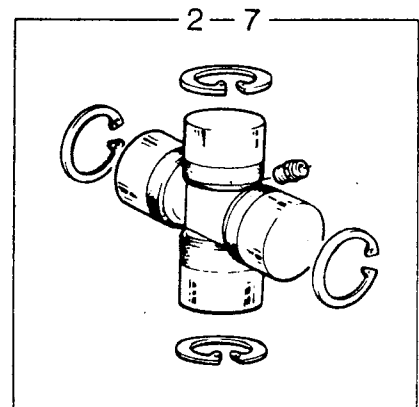
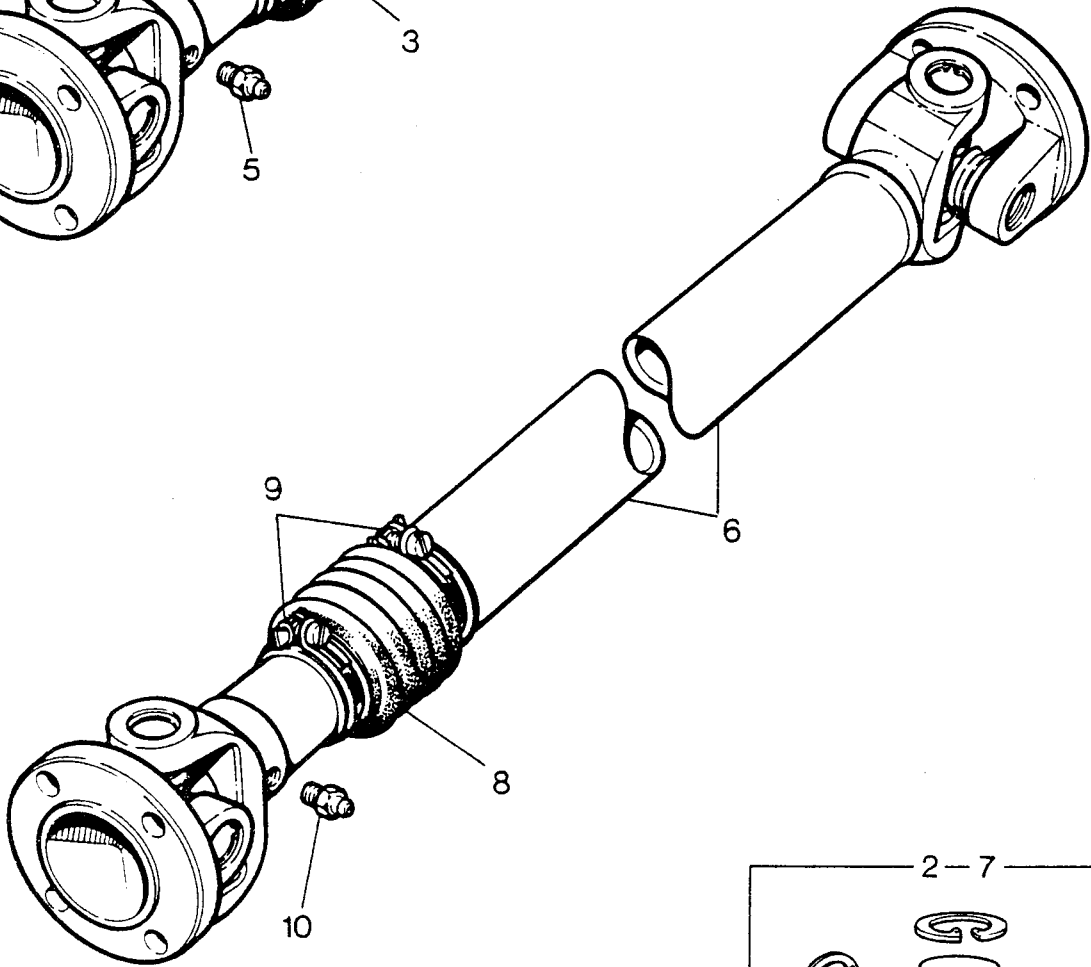
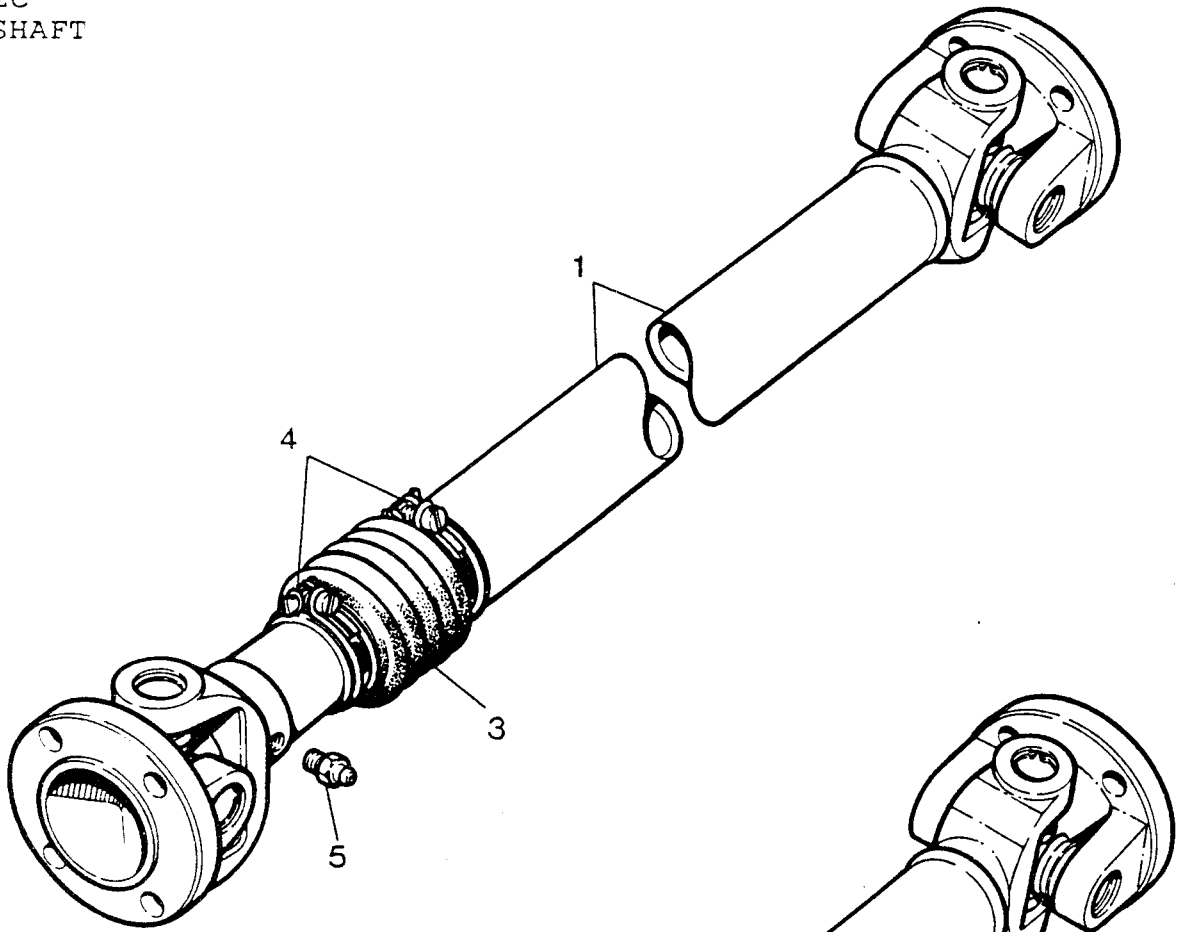


MODEL LAND ROVER  
BLOCK TS 5589  
VARIANT VC 91B

GAITER KIT

ILL	PART NO	DESCRIPTION	QTY	REMARKS
1	RTC3826	Gaiter Kit	1	
2	RTC3519	Hose Clip	1	
3	FRC4183	Gaiter	2	
4	FRC4184	Lace	4	
5	FRC4990	Retaining Ring	2	
6	FRC4991	Retaining Ring	2	

VC 92C  
PROPSHAFT





MODEL LAND ROVER  
BLOCK VS 4010  
VARIANT VC 92C

PROPSHAFTS WITH GAITERS

ILL	PART NO	DESCRIPTION	QTY	REMARKS
1	FRC8390	Propshaft Front	1	
2	RTC3458	Universal Joint	2	
3	276484	Gaiter	1	
4	CN100508	Clip Gaiter	2	
5	234532	Grease Nipple	1	
6	FRC8391	Propshaft Rear	1	
7	RTC3458	Universal Joint	2	
8	276484	Gaiter	1	
9	CN100508	Clip Gaiter	2	
10	549229	Grease Nipple	1	

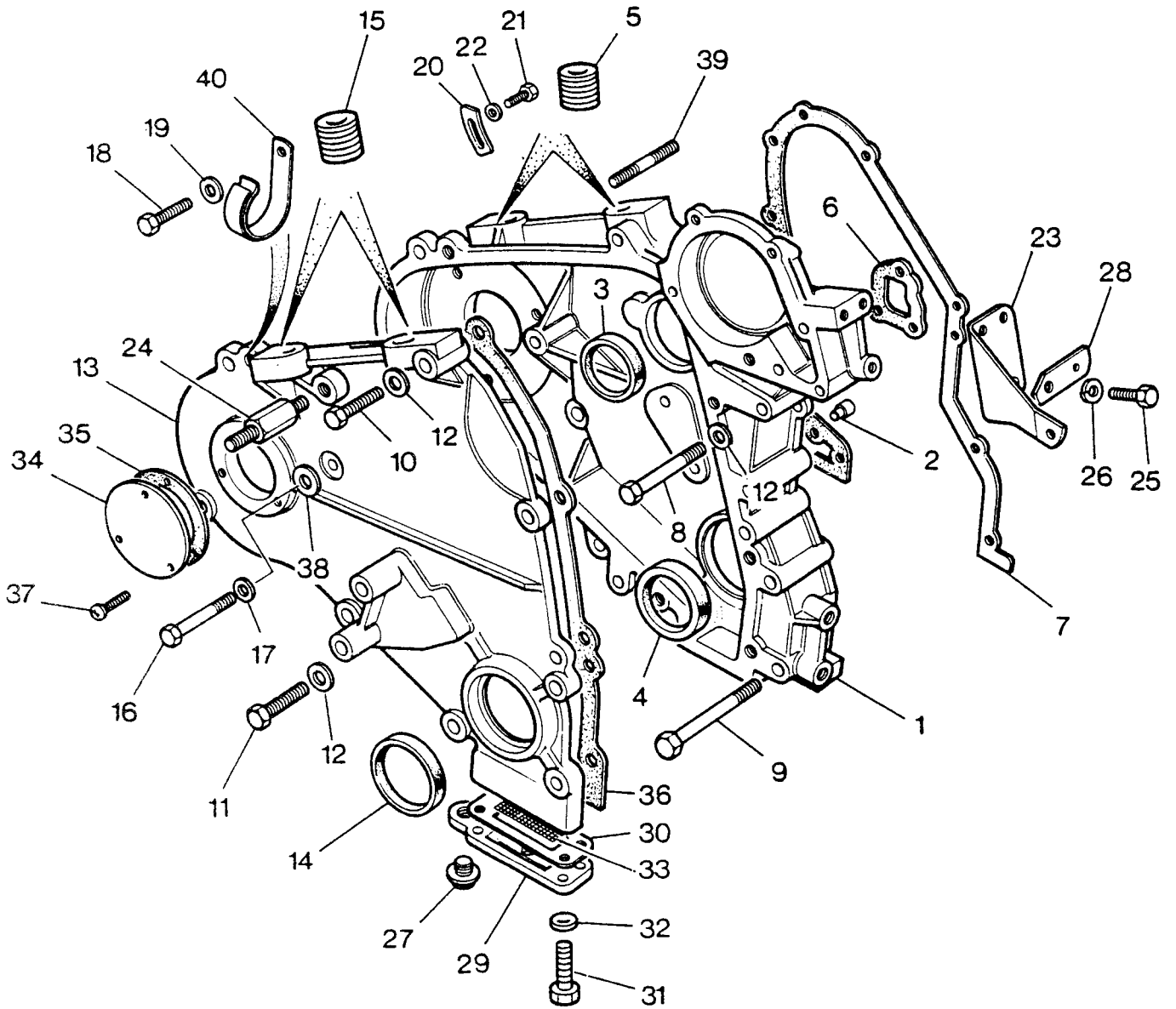
**NO  
ILLUSTRATION**

MODEL LAND ROVER  
BLOCK TF  
VARIANT VD 03T

BATTERY

PART NO	DESCRIPTION	QTY	REMARKS
Direct From Supplier	14 Plate Air Portable Caps Chloride Maintenance Free 072	1	

VD 14X  
FRONT COVER

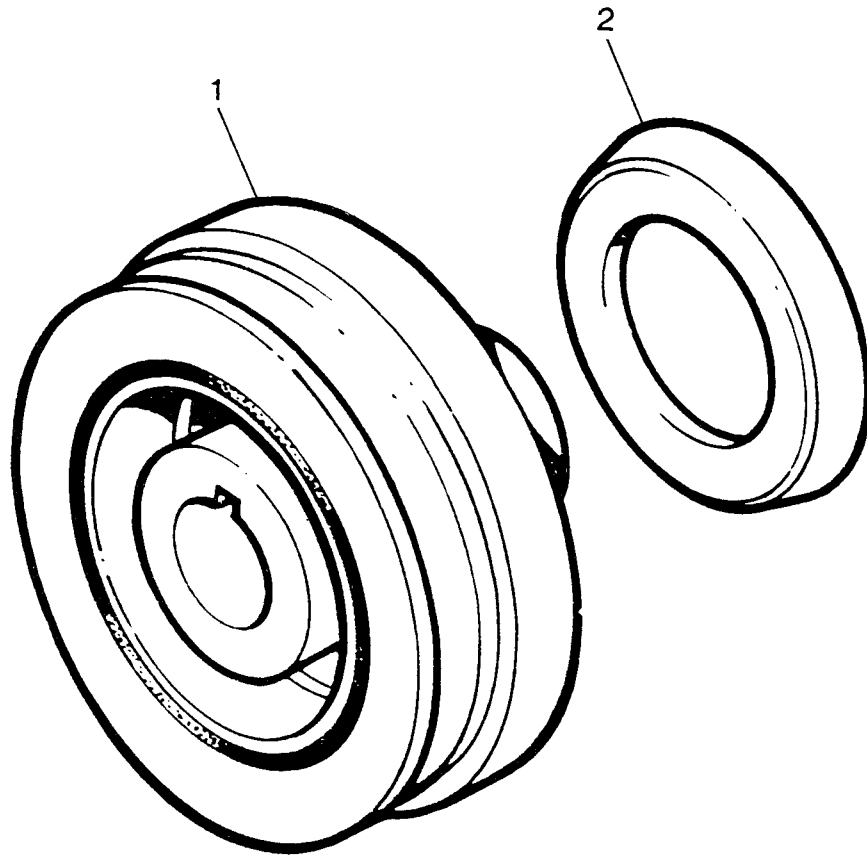


TS 50011

ENGINE - FRONT COVER

ILL	PART NO	DESCRIPTION	QTY	REMARKS
1	ETC5672	Front Cover-Multi Auxiliary	1	
2	6395	Dowel-Front Cover	4	
3	ETC5064	Oil Seal-Camshaft	1	
4	ETC5065	Oil Seal-Crankshaft	1	
5	ETC5674	Insert-Helicoil M10	2	
6	538038	Gasket-Front Cover & Water Inlet	1	
7	538039	Gasket-Front Cover	1	
8	BH108111L	Bolt )	1	
9	BH108121L	Bolt ) Front Cover	3	
10	SH108201L	Screw ) to Block	2	
11	SH108251L	Screw )	1	
12	WA108051L	Washer-Plain )	7	
13	ETC5675	Plate-Front Cover-Multi Auxiliary	1	
14	ETC4154	Seal-Cover Plate	1	
15	ETC5674	Insert-Helicoil M10	2	
16	BH108131L	Bolt-Plate to Block	1	
17	WA108051L	Washer-Plain-Plate to Block	1	
18	SH108251L	Screw-Cover Plate to Frnt Cover	7	
19	WA108051L	Washer-Plain-Plate to Cover	7	
20	ERC9819	Timing Pointer	1	
21	SH105121L	Screw-Pointer to Cover	2	
22	WA702101L	Washer-Plain-Pointer to Cover	2	
23	ERC6479	Bracket-Cowl Mounting	1	
24	ETC4996	Bolt-Special-Bracket to Cover	1	
25	SH108201L	Screw-Bracket to Cover	3	
26	WL108001L	Washer-Spring-Bracket to Cover	3	
27	ERC7295	Plug	1	
28	ERC9404	Bracket-Harness Clip	1	
29	ETC4058	Drain Plate	1	
30	ETC4122	Gasket-Drain Plate	1	
31	SH106201L	Screw-Plate to Cover	4	
32	WA106041L	Washer-Plate to Cover	4	
33	ETC4063	Strainer	1	
34	ERC9199	Cover Plate	1	
35	ERC9201	Gasket-Cover Plate	1	
36	ETC4420	Gasket-Cover Plate to Frnt Cover	1	
37	SE106121L	Screw-Plate to Cover Plate	3	
38	ETC4124	Joint Washer-Bolt	1	
39	ETC4873	Stud-Distributor Pump to Fnt Cvr	3	
40	ETC4630	Clip-Bottom Hose	1	

VD 14X  
CRANKSHAFT PULLEY

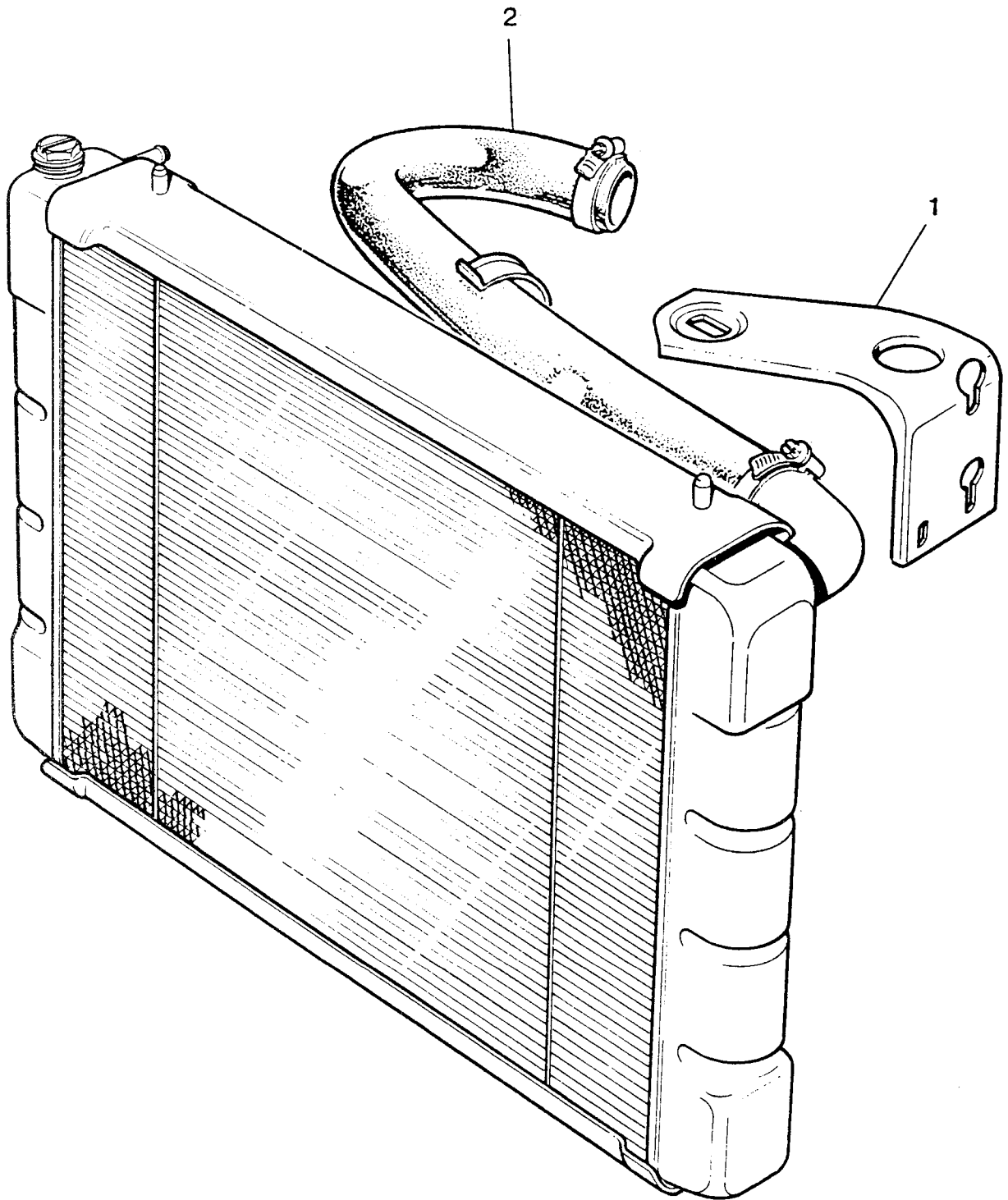


MODEL LAND ROVER  
BLOCK VS 4260  
VARIANT VD 14X

CRANKSHAFT PULLEY

ILL	PART NO	DESCRIPTION	QTY	REMARKS
1	ERC6860	Pulley	1	
	ETC4105	Torsional Vibration Damper	1	
2	ETC4390	Flinger	1	

VD 14X  
RADIATOR



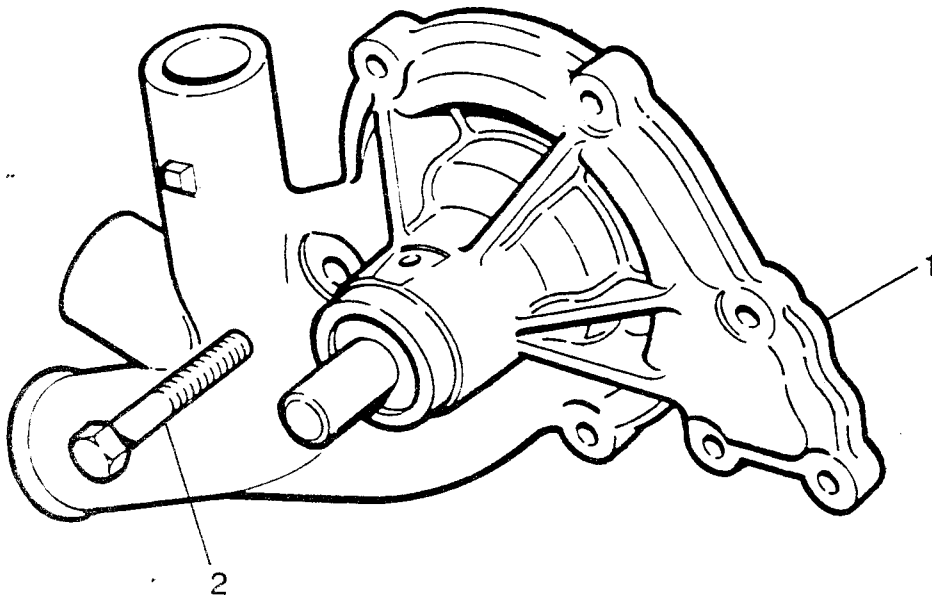
VS 3964



MODEL LAND ROVER  
BLOCK VS 3964  
VARIANT VD 14X

COOLING SYSTEM - RADIATOR

ILL	PART NO	DESCRIPTION	QTY	REMARKS
1	NRC8609	Mounting Bracket Radiator Upper RH	1	
2	NTC2029	Top Hose Radiator	1	

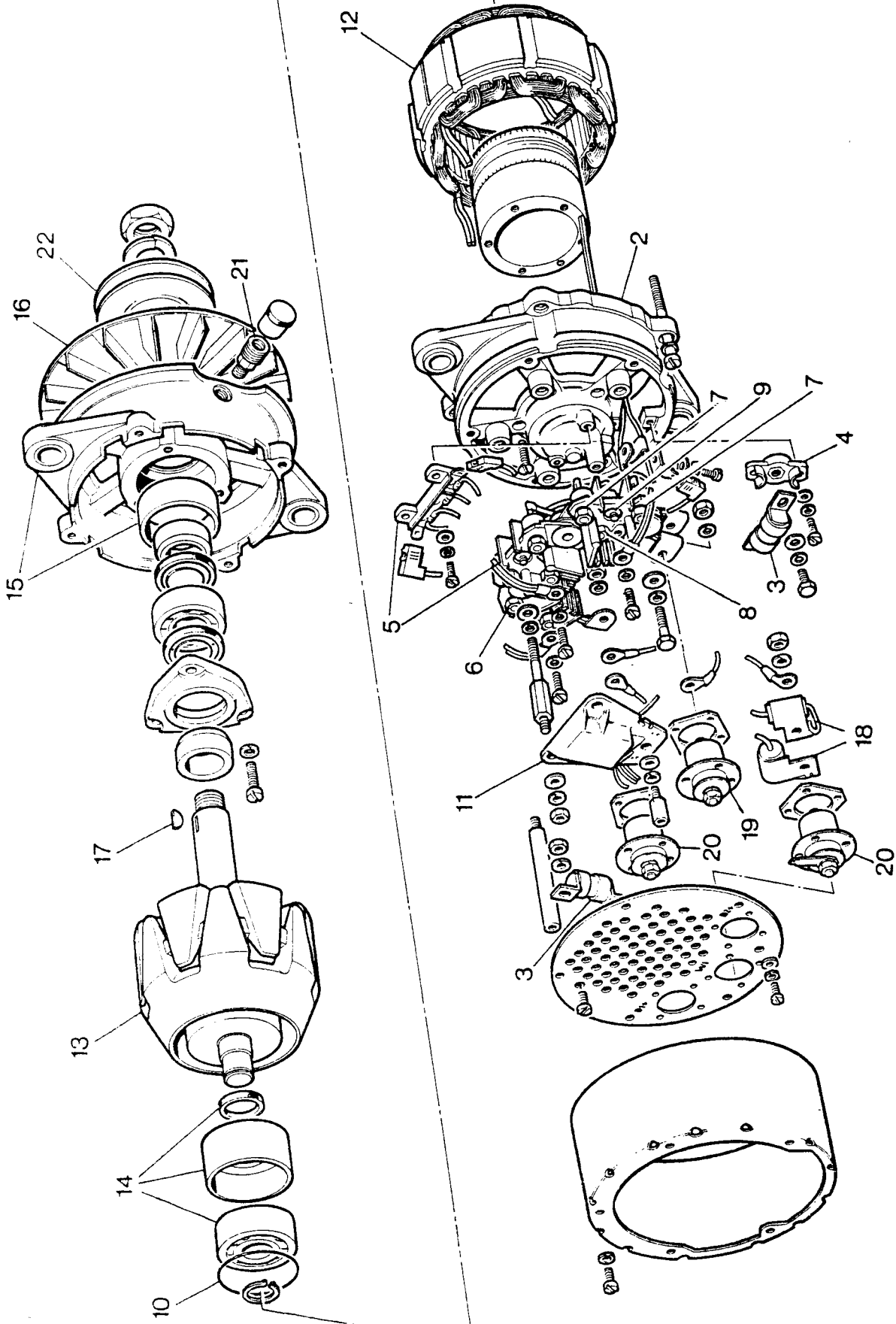


MODEL LAND ROVER  
BLOCK TS 5887  
VARIANT VD 14X

ENGINE - WATER PUMP

ILL	PART NO	DESCRIPTION	QTY	REMARKS
1	ETC5892	Water Pump	1	
2	ERC5600	Bolt	1	

VD 14X  
ALTERNATOR 24V



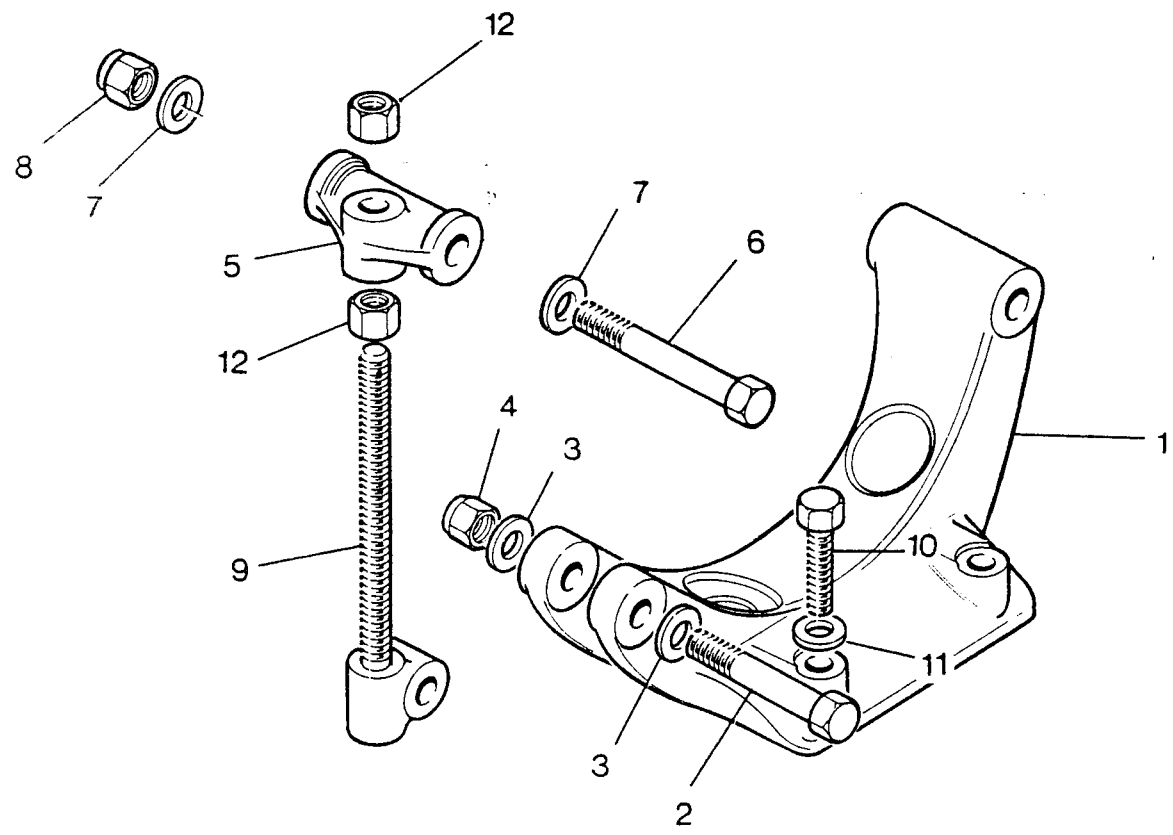
LR 3002

MODEL LAND ROVER  
BLOCK LR 3002  
VARIANT VD 14X

ALTERNATOR 24 VOLT 90 AMP (BRUSHLESS)

ILL	PART NO	DESCRIPTION	QTY	REMARKS
1	PRC5253	ALTERNATOR	1	
2	RTC4881	Endshield R.E.	1	
3	RTC4873	Fuse	2	
4	RTC4880	Fuse-Terminal	1	
5	RTC4879	Heat Sink & Diode Assembly	1	
6	RTC4878	Heat Sink	3	
7	RTC4871	Diode Kit (Anode Base)	6	
8	RTC4872	Diode Kit (Cathode Base)	3	
9	RTC4870	Diode Kit (Field)	3	
10	RTC4868	Sealing Ring for Endshield R.E	1	
11	RTC4886	Regulator	1	
12	RTC4874	Stator	1	
13	RTC4875	Rotor	1	
14	RTC4884	Bearing	1	
15	RTC4882	Endshield D.E	1	
16	RTC4883	Fan	1	
17	RTC1360	Key	1	
18	RTC4885	Capacitor, on Endshield R.E.	2	
19	RTC4877	Capacitor, on Plate Cover	1	
20	RTC4876	Capacitor, on Plate Cover	2	
21	RTC4869	Nipple-Lubricator	1	
22	ETC5047	Pulley	1	

VD 14X  
ALTERNATOR MOUNTING

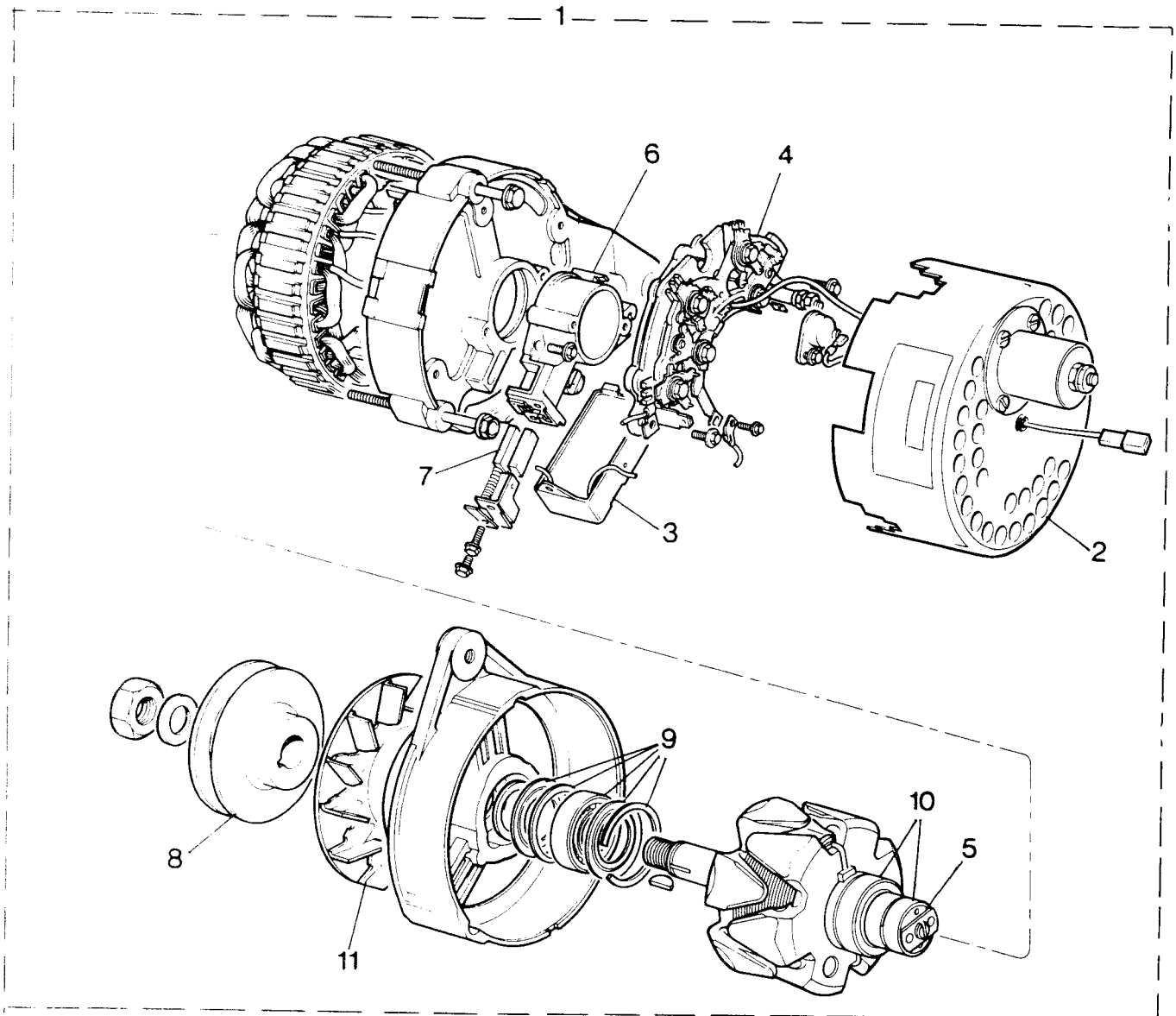


MODEL LAND ROVER  
BLOCK TS 5716  
VARIANT VD 14X

ENGINE - ALTERNATOR MOUNTINGS 24 VOLT

ILL	PART NO	DESCRIPTION	QTY	REMARKS
1	ETC5680	Alternator Mounting Bracket	1	
2	BH112261L	Bolt	1	
3	WA112081L	Washer Plain	2	
4	NY112041L	Nyloc Nut	1	
5	ETC5389	Adjustment Bar	1	
6	BH112241L	Bolt	1	
7	WA112081L	Washer Plain	2	
8	NY112041L	Nyloc Nut	1	
9	ETC7287	Adjusting Rod Assembly	1	
10	BH112151L	Bolt	1	
11	WA112081L	Washer Plain	2	
12	ETC7641	Nyloc Nut	1	
13	ETC5357	Bracket, Alternator Mounting- Rear	1	

VD14X ALTERNATOR 12V



TS 6284

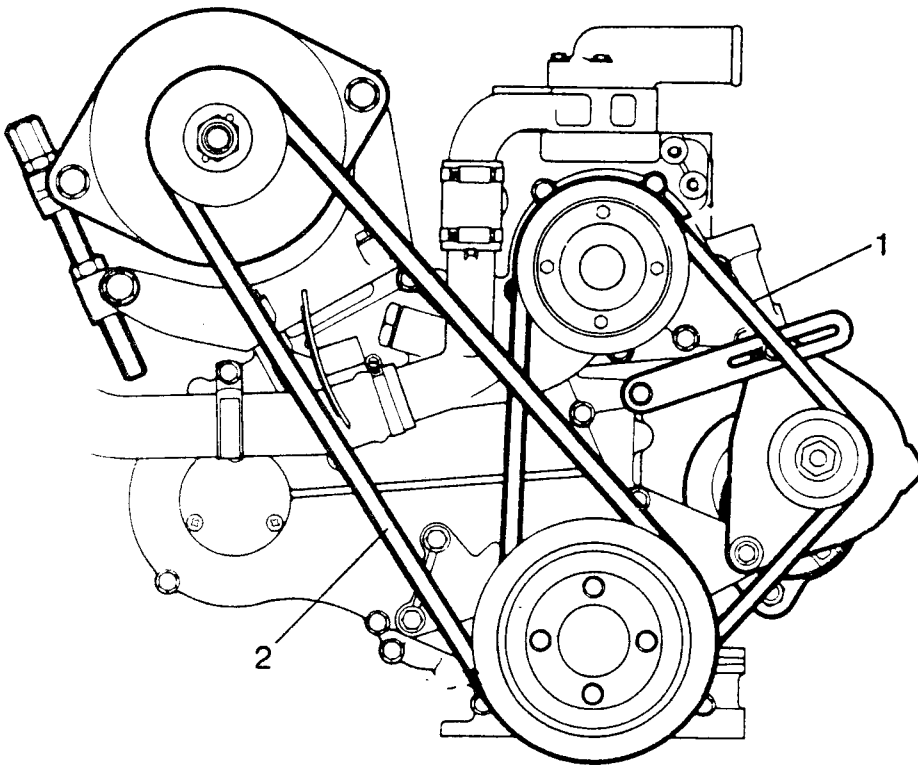


MODEL LAND ROVER  
BLOCK TS 6284  
VARIANT VD 14X

ALTERNATOR 12 VOLT (A115/45 SCREENED)

ILL	PART NO	DESCRIPTION	QTY	REMARKS
1	PRC5424	Alternator Assembly Complete with Screened Can	1	
2	RTC4888	Screening Can Kit	1	
3	AEU3076	Regulator	1	
4	BAU1825	Rectifier	1	
5	BAU2193	Slip Ring	1	
6	BAU2195	Brush Box	1	
7	RTC3215	Brush Set	1	
8	568788	Pulley	1	
9	18G8619L	Kit-Bearing-Drive End	1	
10	AEU1532	Kit-Slip Ring and Bearing	1	
11	C37222L	Fan	1	
	AEU1706	Kit-Screws	1	
	AEU1710	Kit-Sundry Parts	1	
	AEU1942	Kit-Spacer	1	

VD 14X  
DRIVE BELTS

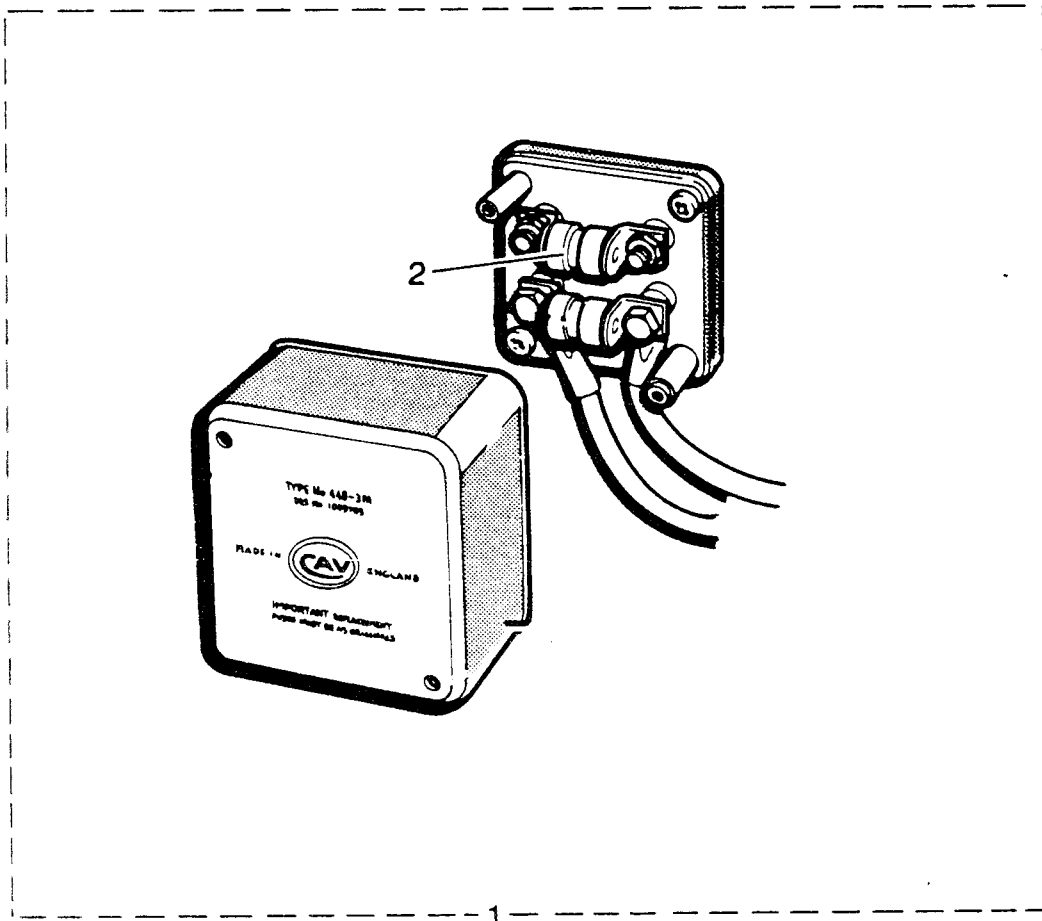


MODEL LAND ROVER  
BLOCK LR 2128  
VARIANT VD 14X

ENGINE DRIVE BELTS

ILL	PART NO	DESCRIPTION	QTY	REMARKS
1	ERC6886	Drive Belt Alternator 12V	1	
2	532002	Drive Belt Alternator 24V	1	

VD14X  
FUSE BOX



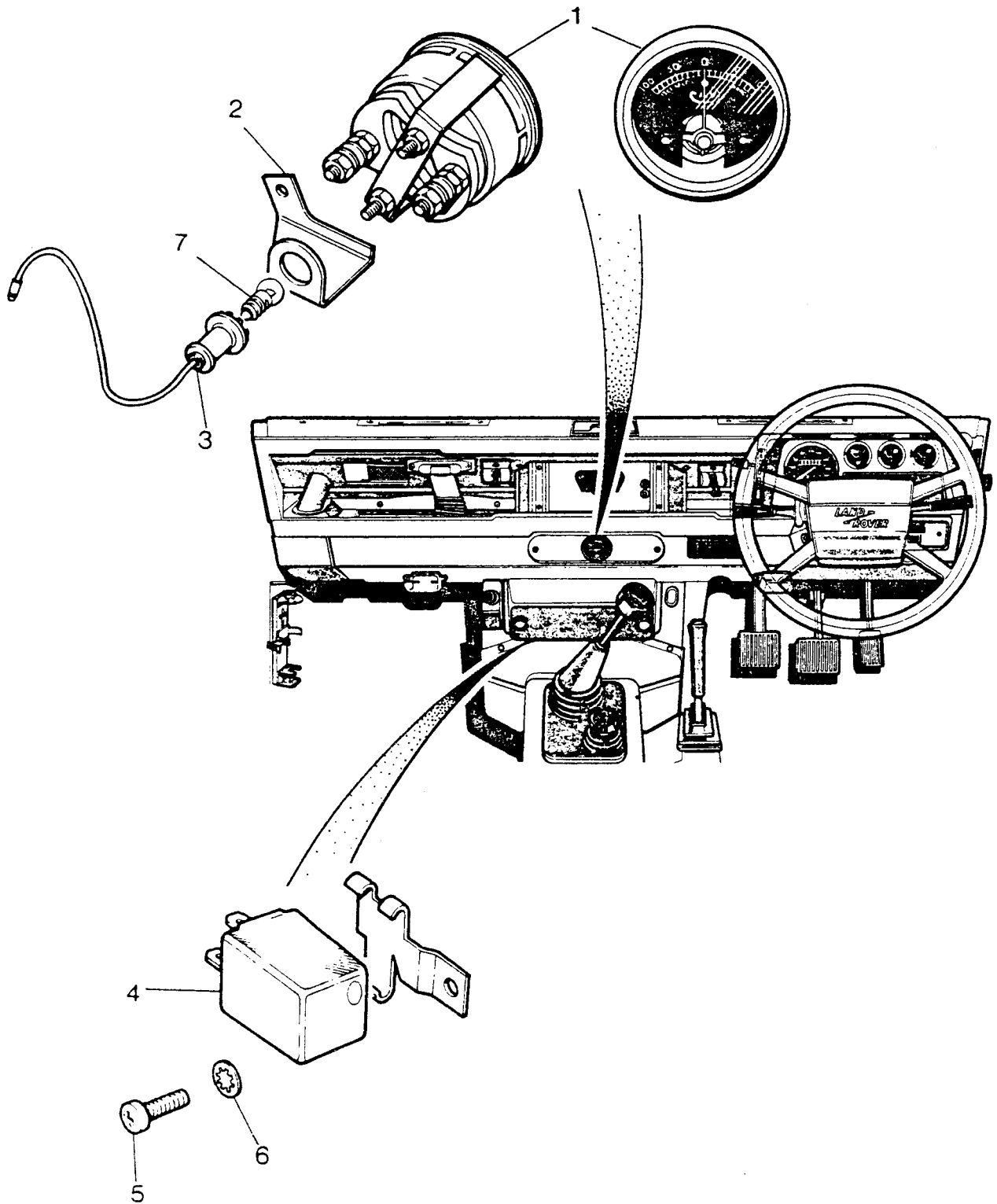
LR 2107

MODEL LAND ROVER  
BLOCK LR 2107  
VARIANT VD 14X

ELECTRICAL - FUSE BOX

ILL	PART NO	DESCRIPTION	QTY	REMARKS
1	PRC5492	Fuse Box	1	
2	RTC5011	Fuse	1	

VD 14X  
AMMETER RELAY

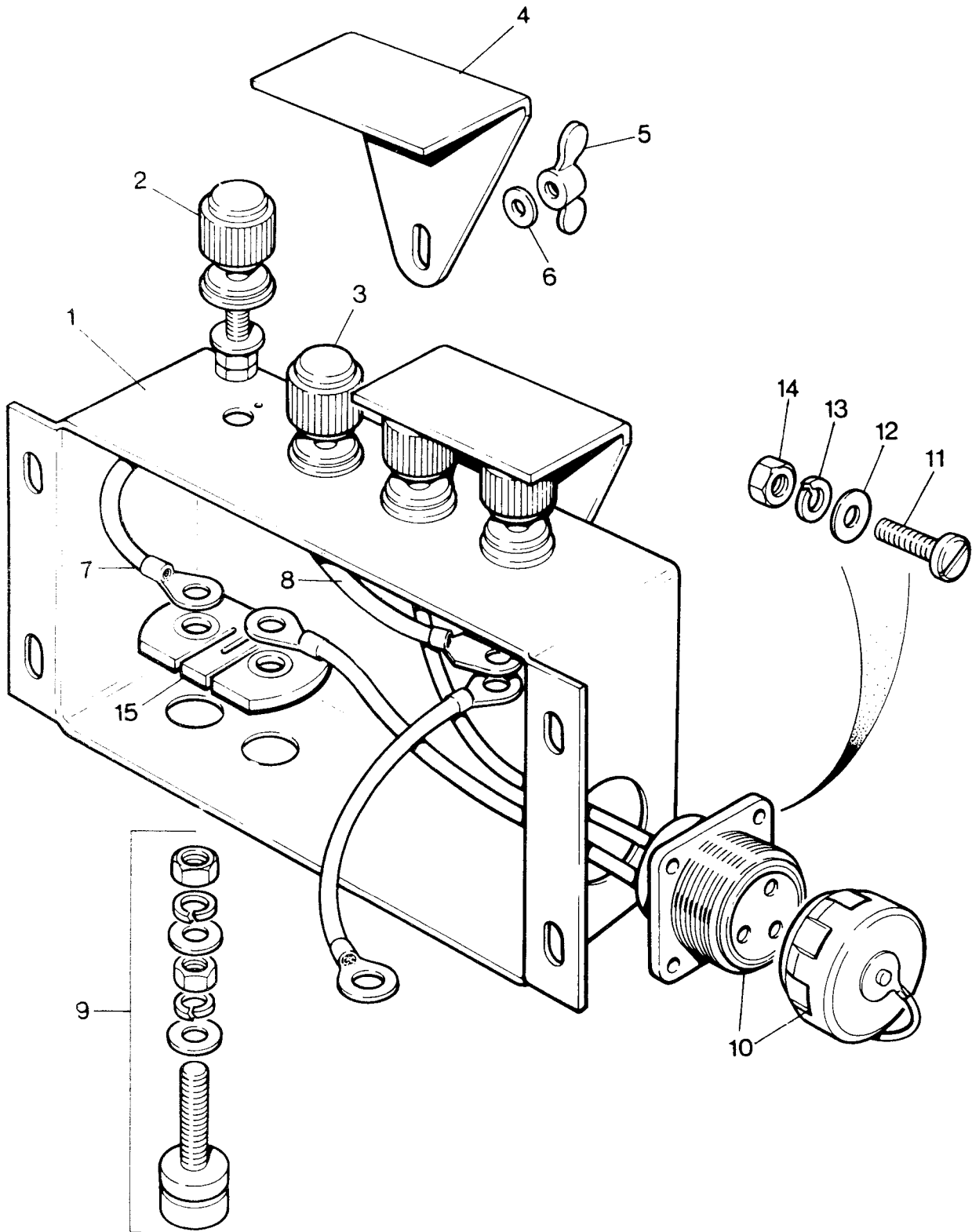


MODEL LAND ROVER  
BLOCK LR 3001  
VARIANT VD 14X

ELECTRICAL - AMMETER - RELAYS

ILL	PART NO	DESCRIPTION	QTY	REMARKS
1	PRC5485	Ammeter (100-0-100)	1	
2	579114	Ammeter Illumination Brkt	1	
3	PRC5590	Cable Assy-Ammeter Illumination	1	
4	DRC1820	Relay-28RA-24V Ignition Light	2	
5	AB608041L	Drive Screw ) Fixing Relay	2	
6	WA105001L	Washer Plain ) to Dash	2	
7	500918	Bulb	1	

VD14X TERMINAL BOX





MODEL LAND ROVER  
BLOCK TS 6186  
VARIANT VD 14X

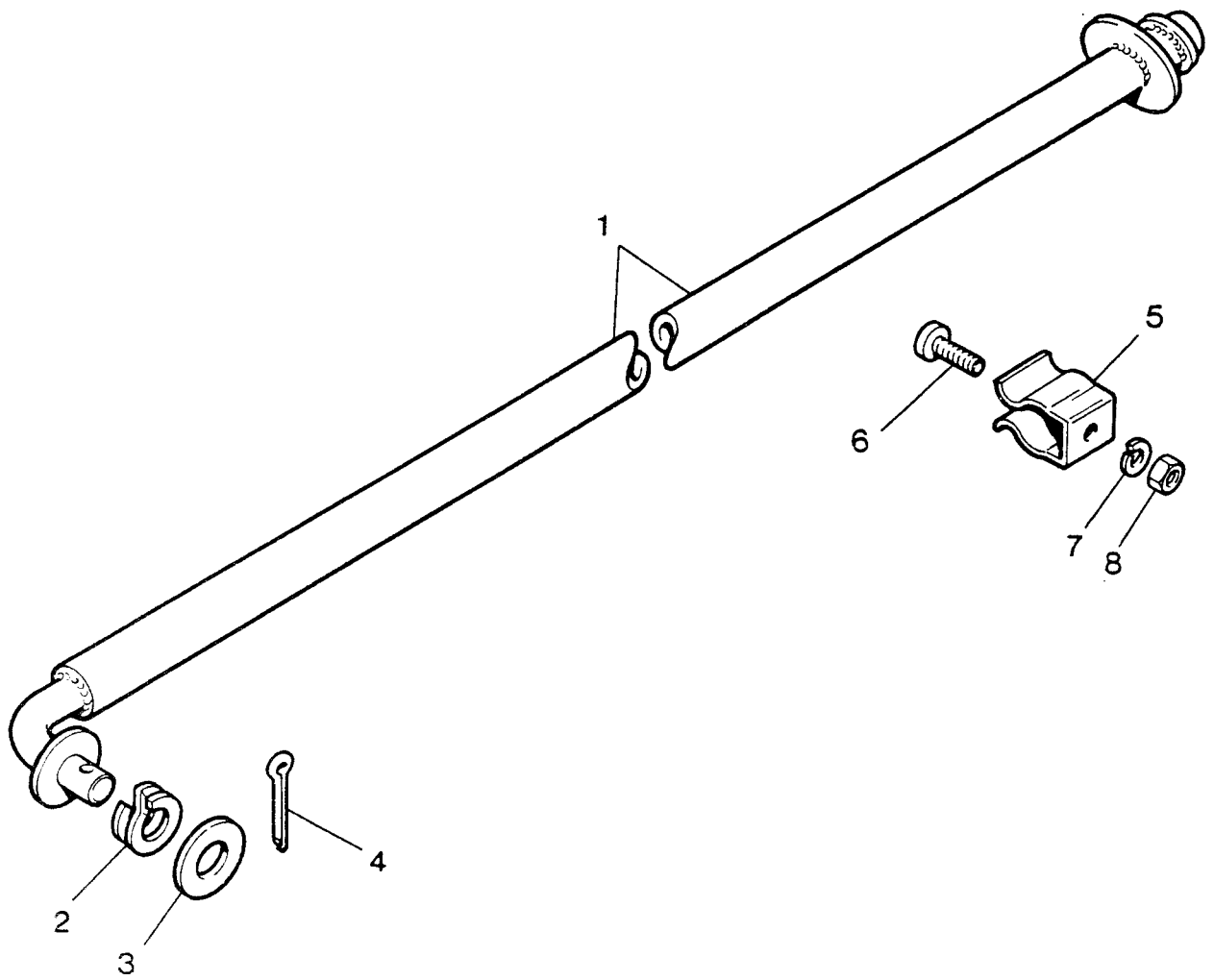
ELECTRICAL - TERMINAL BOX

ILL	PART NO	DESCRIPTION	QTY	REMARKS
1	PRC5477	Terminal Box	1	
2	552648	Terminal Red	2	
3	552647	Terminal Black	2	
4	MTC2103	Keeper Plate	2	
5	NA105017L	Wing Nut	2	
6	WA106041L	Washer	2	
7	PRC5491	Lead Terminal Bush to Terminal	2	
8	PRC3284	Lead Interconnecting Terminal	2	
9	PRC5592	Terminal Bush Complete	2	
10	PRC5478	Cable and Socket Assembly Charging	1	
11	SP103101	Screw	4	
12	WL103001	Washer Plain	4	
13	WA103001L	Washer Spring	4	
14	NH103041L	Nut	4	
15	PRC5483	Shunt 90 AMP	1	

**NO  
ILLUSTRATION**

ELECTRICAL - HARNESSSES

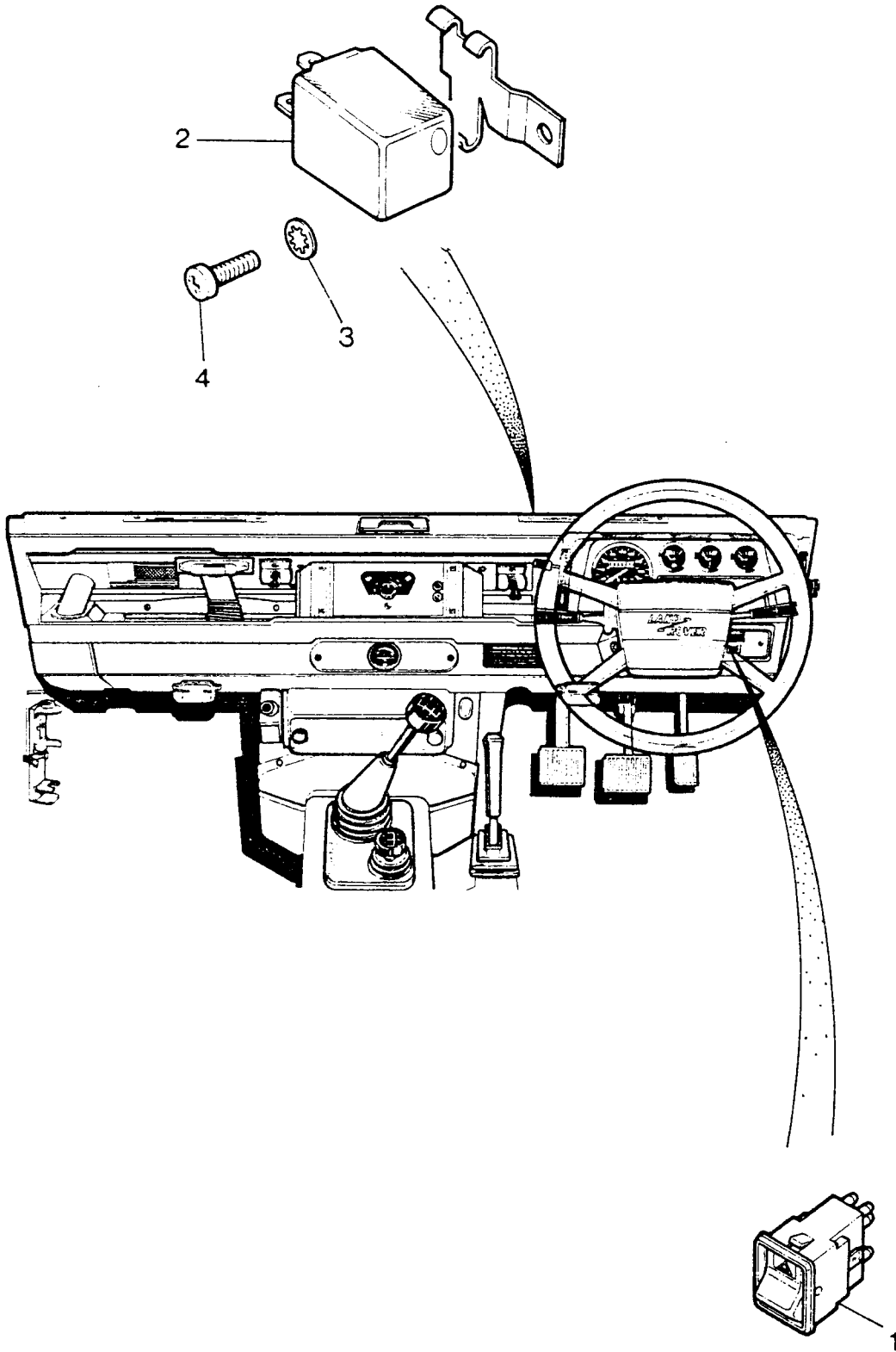
PART NO	DESCRIPTION	QTY	REMARKS
PRC5494	Cable Assembly-Engine	1	
PRC5811	Cable Assembly-Alt to Fuse Box	1	
PRC5582	Cable Assembly-Fuse Box to Terminal Box	1	
PRC5590	Cable Assembly-Ammeter Illumination	1	
PRC5812	Cable Assembly-24 Volt Ignition Warning Light	1	
PRC2268	Bulb-Ignition Warning light	1	



MODEL LAND ROVER  
BLOCK VS 3795  
VARIANT VD 14X

BODY - BONNET PROP

ILL	PART NO	DESCRIPTION	QTY	REMARKS
1	MRC9778	Bonnet Prop	1	
2	WS600061L	Washer Spring ) Fixing Prop	1	
3	WL110001L	Washer Plain ) to Bonnet	1	
4	PS106161L	Split Pin )	1	
5	MRC7623	Clip-Prop Rod Stowage	1	
6	SP104101L	Screw ) Fixing Clip	1	
7	WL104001L	Washer ) to Bonnet	1	
8	NH104041L	Nut )	1	

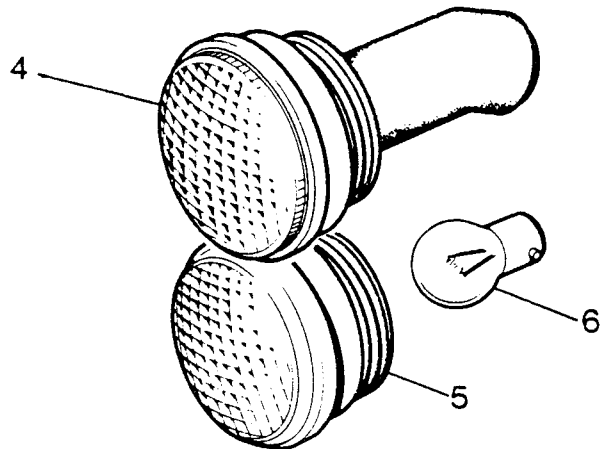
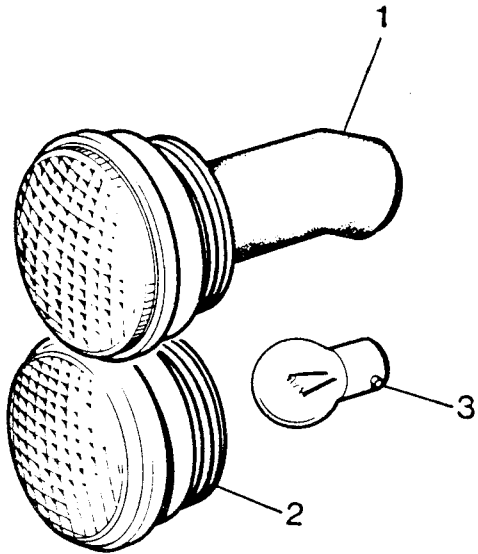


MODEL LAND ROVER  
BLOCK VS 4052A  
VARIANT VD 15A

HAZARD WARNING

ILL	PART NO	DESCRIPTION	QTY	REMARKS
1	PRC2278	Switch Hazard Warning	1	
2	PRC2239	Hazard Warning Unit	1	
3	SE106121L	Screw ) Fixing Hazard	1	
4	WF106001L	Washer Spring ) Unit	1	

VD 16C  
FRONT, SIDE & INDICATOR LAMPS



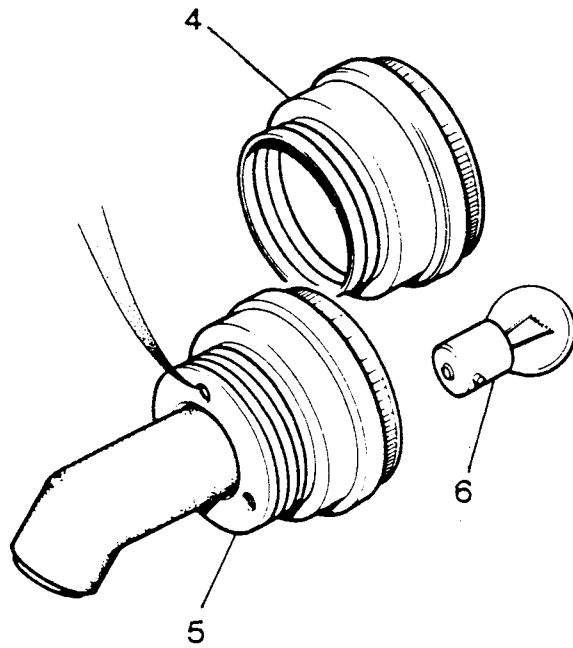
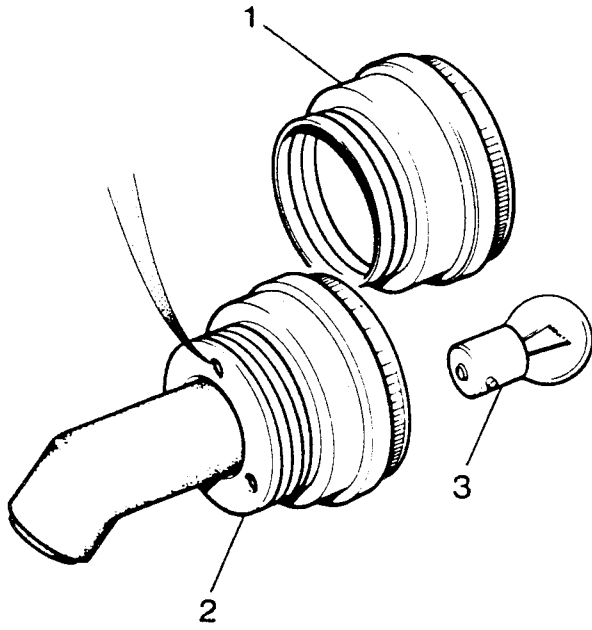


MODEL LAND ROVER  
BLOCK VS 3413A  
VARIANT VD 16C

ELECTRICAL - FRONT SIDE & INDICATOR LAMPS

ILL	PART NO	DESCRIPTION	QTY	REMARKS
1	AEU1374	Sidelamp (Less Bulb)	2	
2	AEU1375	Lens, Sidelamp	2	
3	10211	Bulb, Sidelamp	2	
4	RTC1885	Indicator, Lamp (Less Bulb)	2	
5	RTC1843	Lens, Indicator Lamp	2	
6	264591	Bulb, Indicator Lamp	2	

VD 16C  
REAR TAIL & INDICATOR LAMPS

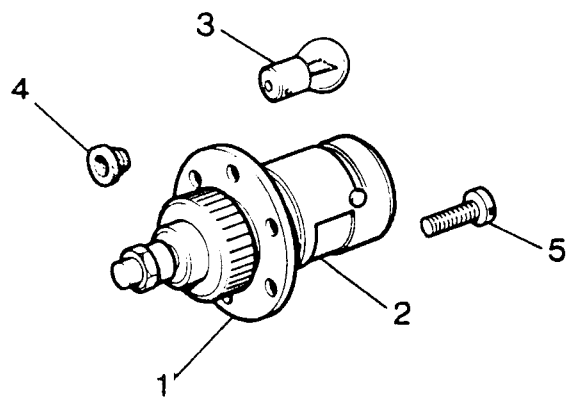


MODEL LAND ROVER  
BLOCK VS 3413B  
VARIANT VD 16C

ELECTRICAL - REAR TAIL & INDICATOR LAMPS

ILL	PART NO	DESCRIPTION	QTY	REMARKS
1	RTC1919	Tail Lamp (Less Bulb)	2	
2	AAU1079	Lens Tail Lamp	2	
3	264590	Bulb Tail Lamp	2	
4	RTC1886	Indicator Lamp (Less Bulb)	2	
5	RTC1844	Lens, Indicator Lamp	2	
6	264591	Bulb, Indicator Lamp	2	

VD 16C  
CONVOY LAMP

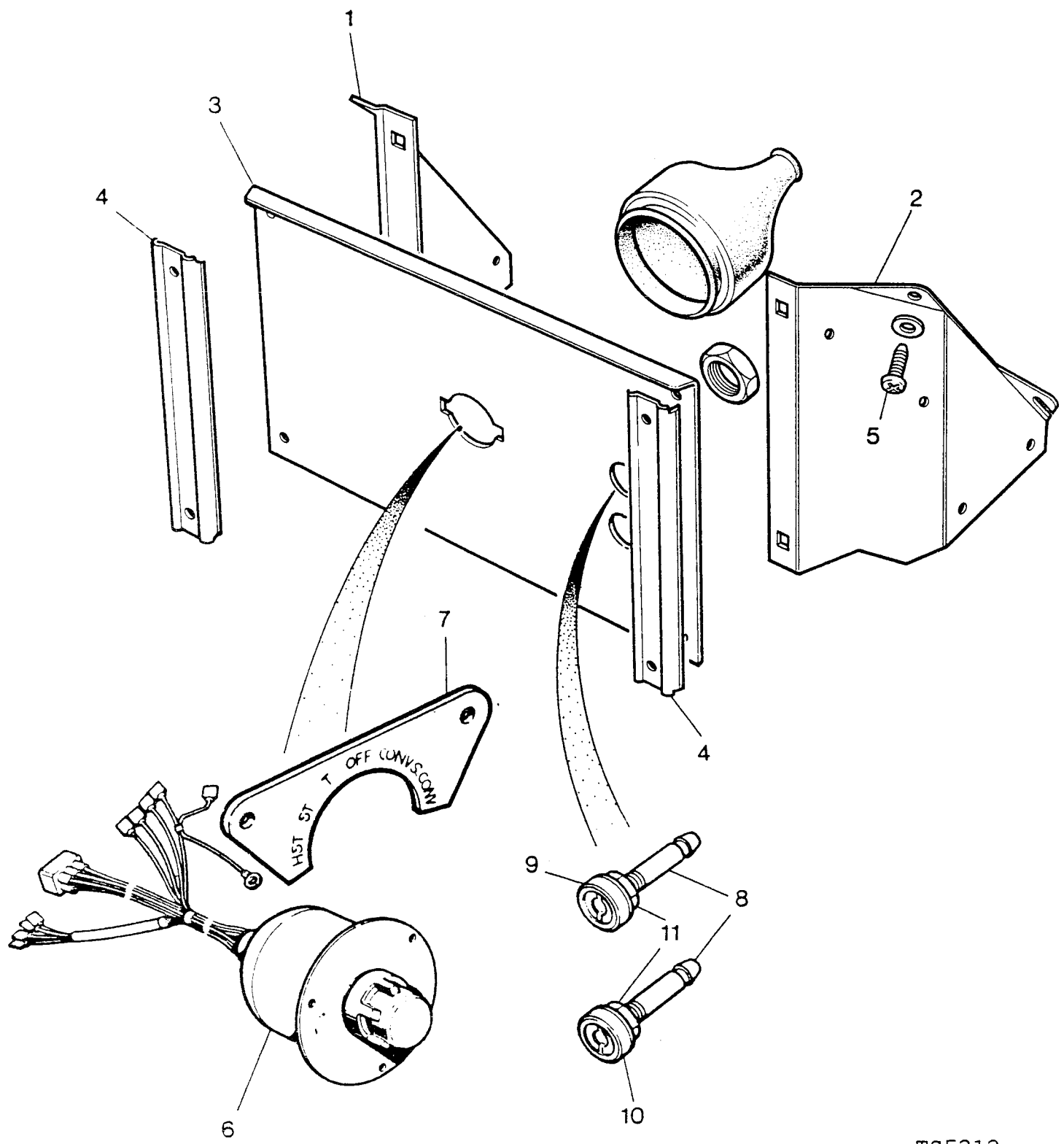


MODEL LAND ROVER  
BLOCK VS 3413C  
VARIANT VD 16C

ELECTRICAL - CONVOY LAMP

ILL	PART NO	DESCRIPTION	QTY	REMARKS
1	268616	Convoy Lamp	1	
2	AAU7897	Lens, Convoy Lamp	1	
3	10211	Bulb, Convoy Lamp	1	
4	536126	Sealing Washer	1	
5	77701	Screw, Fixing Convoy Lamp	3	

VD 16C  
AUXILIARY DASH PANEL

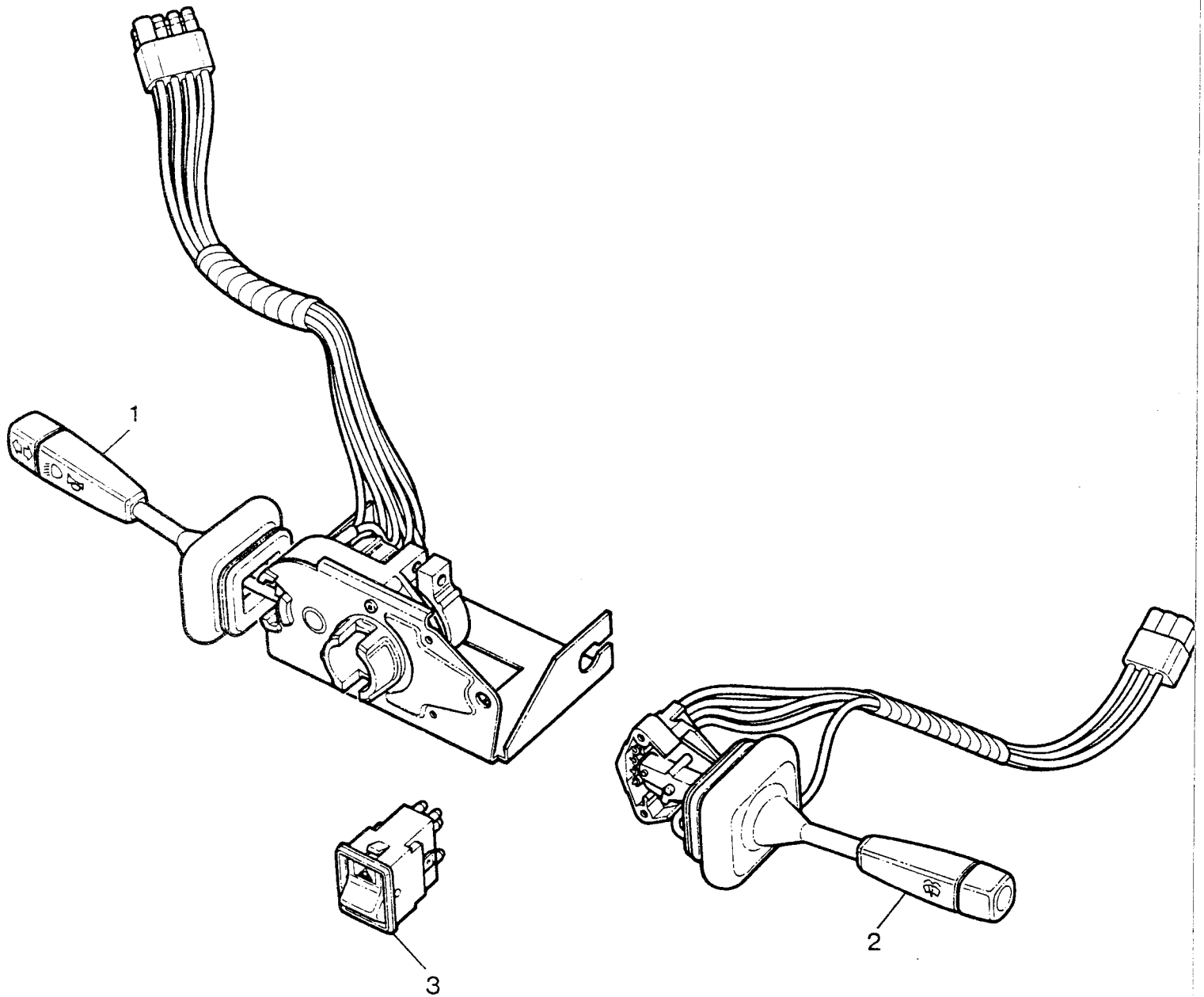


TS5313

ELECTRICAL - AUXILIARY DASH PANEL

ILL	PART NO	DESCRIPTION	QTY	REMARKS
1	RRC2713	Auxiliary Switch Panel LH	1	
2	RRC2714	Auxiliary Switch Panel RH	1	
3	RRC3582	Auxiliary Switch Panel Front	1	
4	MTC6115	Trim Finisher	2	
	AB606051L	Drive Screw Fixing Trim Finisher	4	
5	AB606031L	Drive Screw )Auxiliary Side	4	
	RTC3745	Lokut Nut )Panel	4	
6	PRC5410	Master Lighting Switch (6 Way)	1	
7	348797	Label Lighting Switch	1	
8	PRC2078	Inspection Socket	2	
9	PRC2079	Insulation Bush Red	1	
10	PRC2080	Insulation Bush Black	1	
11	PRC2087	Nylon Nut-Fixing Inspection Socket	2	

VD 16C  
SWITCHES



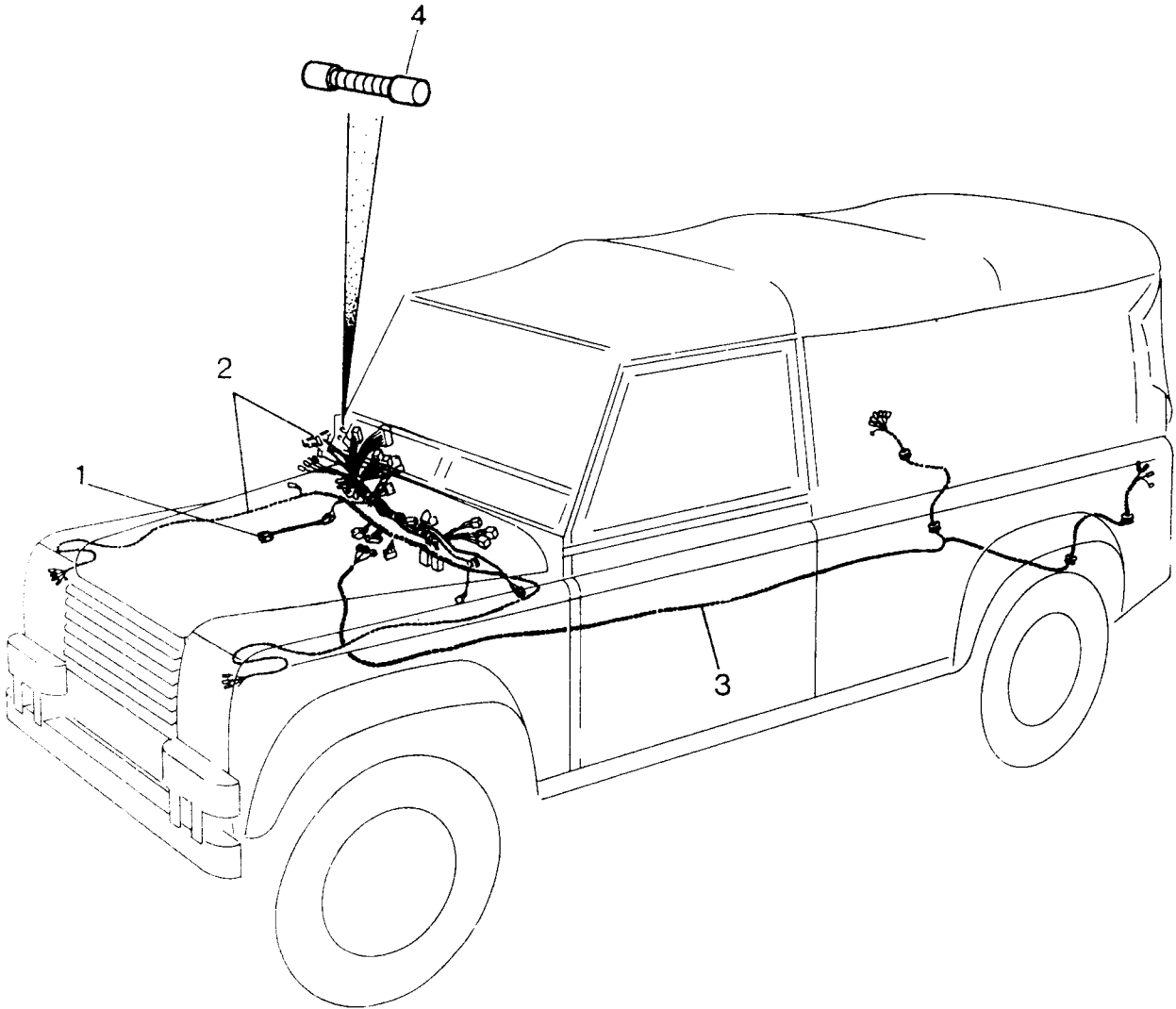
VS 4052A



MODEL LAND ROVER  
BLOCK VS 4052A  
VARIANT VD 16C

ELECTRICAL - SWITCHES

ILL	PART NO	DESCRIPTION	QTY	REMARKS
1	PRC3875	Indicator Horn Switch	1	
2	PRC3900	Wash Wipe Switch	1	
3	PRC2278	Switch-Hazard Warning	1	

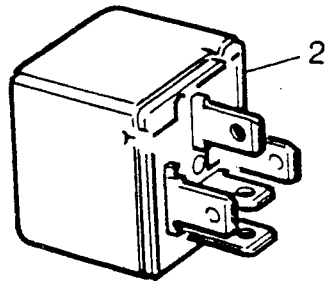
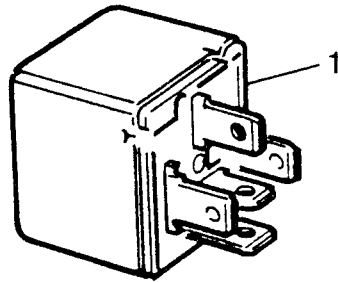


MODEL LAND ROVER  
BLOCK LR 3000  
VARIANT VD 16C

ELECTRICAL - HARNESSSES

ILL	PART NO	DESCRIPTION	QTY	REMARKS
1	PRC5788	Lead-Main Harness to Ignition Plug	1	
2	PRC5263	Harness-Main	1	
3	PRC5269	Harness-Chassis	1	
4	C46082	Resistor-100 OHM	1	

VD 16C  
FLASHER & HAZARD UNIT

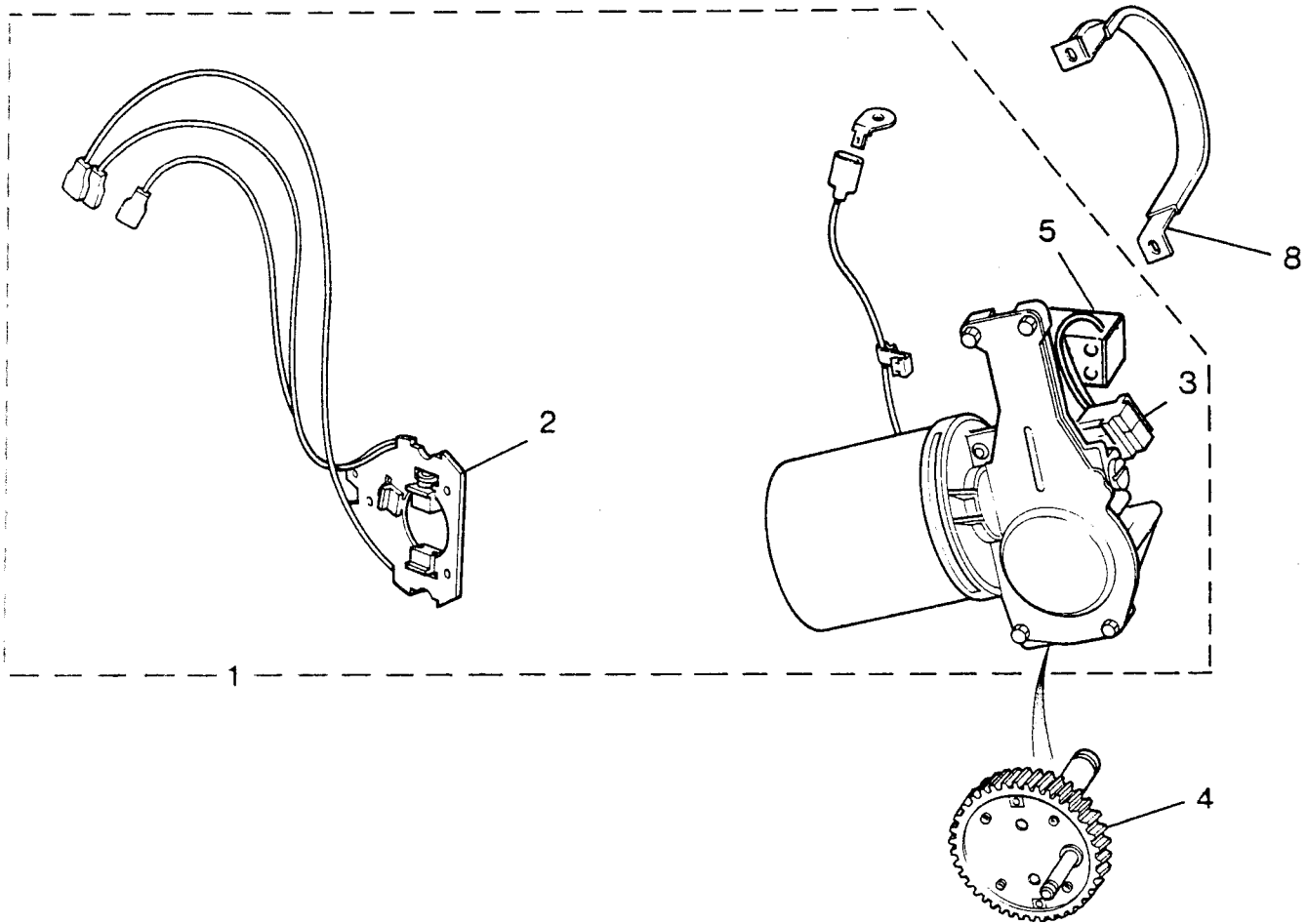
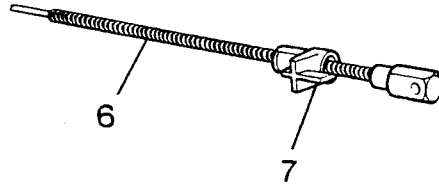


MODEL LAND ROVER  
BLOCK TS 5207  
VARIANT VD 16C

ELECTRICAL - FLASHERS & HAZARD UNIT

ILL	PART NO	DESCRIPTION	QTY	REMARKS
1	PRC2239	Flasher Unit	1	
2	DRC1820	Relay (28RA)	3	

VD 18A  
WINDSCREEN WIPER MOTOR



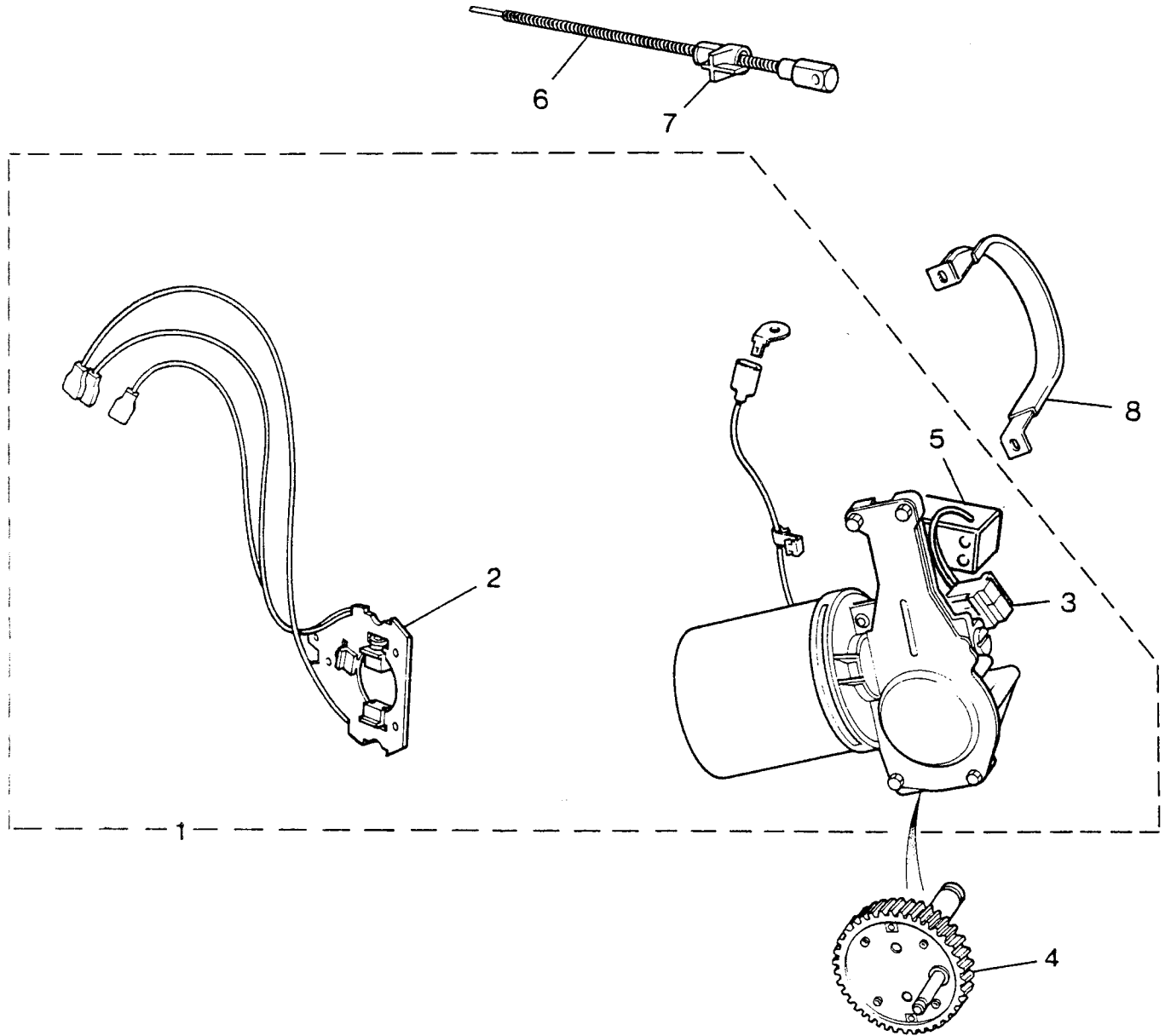
VS 4059

MODEL LAND ROVER  
BLOCK VS 4059  
VARIANT VD 18A

ELECTRICAL - WINDSCREEN WIPER MOTOR (R.H.D.)

ILL	PART NO	DESCRIPTION	QTY	REMARKS
1	RTC4678	Wiper Motor	1	
2	RTC3892	Brush Set	1	NLA Part of RTC5575
3	520160	Parking Switch	1	
4	RTC4681	Gear	1	
5	RTC5575	Suppression Box Assy	1	
6	RTC4682	Rack	1	
7	37H3694L	Ferrule	1	
8	BHA4790L	Strap	1	

VD 18B  
WINDSCREEN WIPER MOTOR



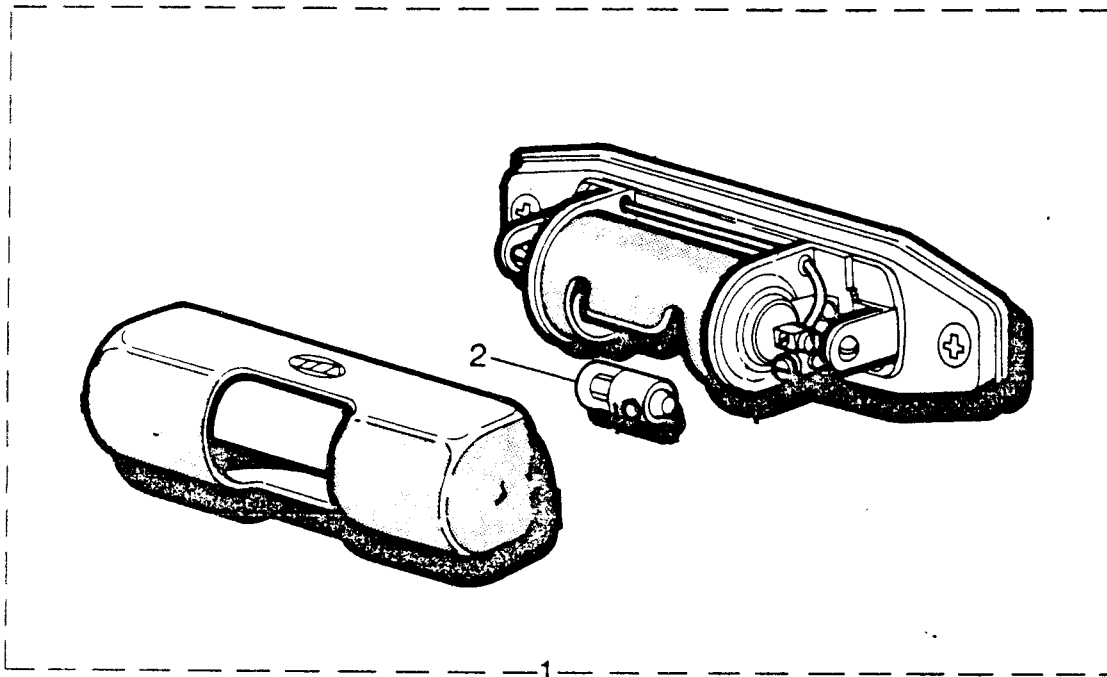
VS4059



MODEL LAND ROVER  
BLOCK VS 4059  
VARIANT VD 18B

ELECTRICAL - WINDSCREEN WIPER MOTOR (L.H.D.)

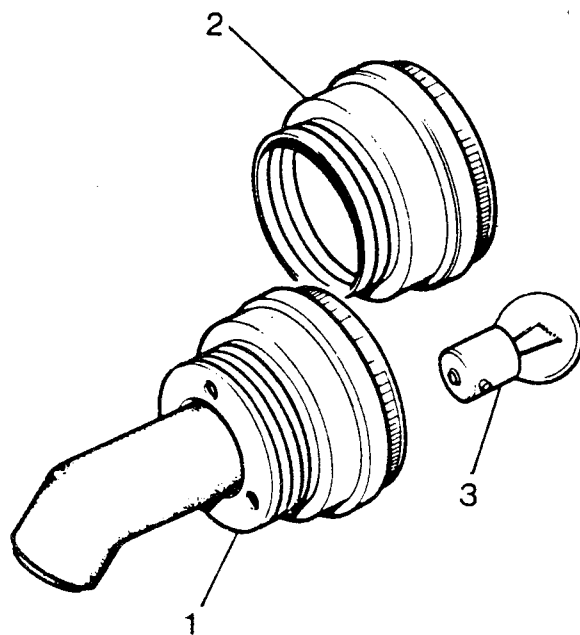
ILL	PART NO	DESCRIPTION	QTY	REMARKS
1	RTC4679	Wiper Motor	1	
2	RTC3892	Brush Set	1	NLA Part of RTC5575
3	520160	Parking Switch	1	
4	RTC4681	Gear	1	
5	RTC5575	Suppression Box Assy	1	
6	RTC4682	Rack	1	
7	37H3694L	Ferrule	1	
8	BHA4790L	Strap	1	



MODEL LAND ROVER  
BLOCK LR 2087  
VARIANT VD 28A

ELECTRICAL - MAP READING LAMP

ILL	PART NO	DESCRIPTION	QTY	REMARKS
1	PRC3832	Map Reading Lamp	1	
2	AEU4110	Bulb	2	
	PRC1552	Cable Assembly-Map Lamp	1	
	233244	Grommet-Map Lamp Cable	1	
	ATU1014	Rawl Nut ) Map Lamp	2	
	SF105251L	Screw ) to Bracket	2	
	MRC4029	Mounting Bracket-Map Lamp	1	
	SL104101L	Drive Screw-Mounting Bracket	2	

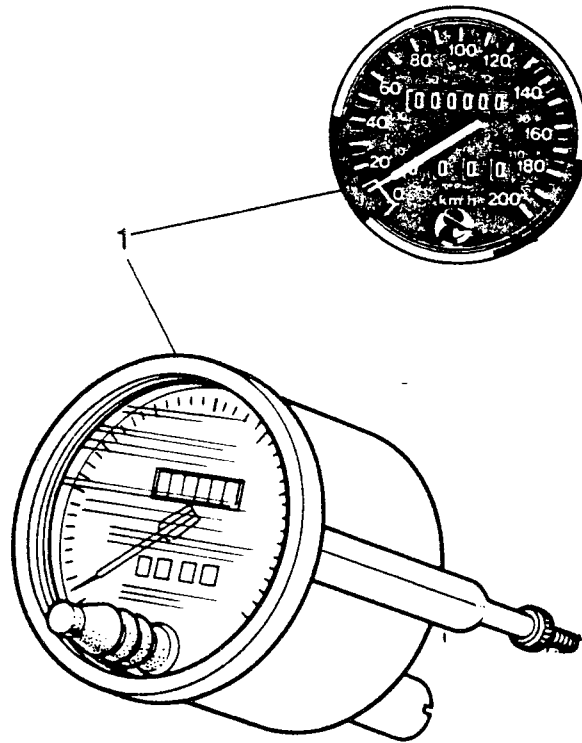


VS3413

MODEL LAND ROVER  
BLOCK VS 3413  
VARIANT VD 32G

REAR GUARD FOG LAMPS (12V)

ILL	PART NO	DESCRIPTION	QTY	REMARKS
1	RTC2665	Rear Guard Fog Lamp	2	
2	RTC2666	Lens	2	
3	264591	Bulb	2	
4	AR606041L	Drive Screw	6	

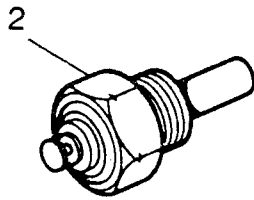
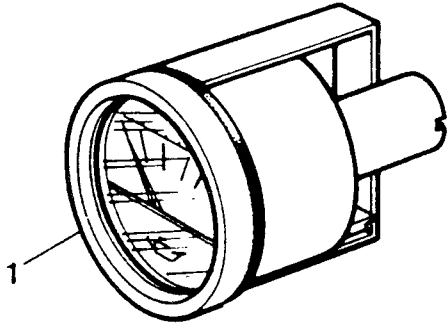


MODEL LAND ROVER  
BLOCK VS 4019  
& LR 2090  
VARIANT VD 37B

SPEEDOMETER K.M.H. (M.P.H. SUB)

ILL	PART NO	DESCRIPTION	QTY	REMARKS
1	PRC3170	Speedometer Waterproof	1	

VD 75D  
OIL GAUGE



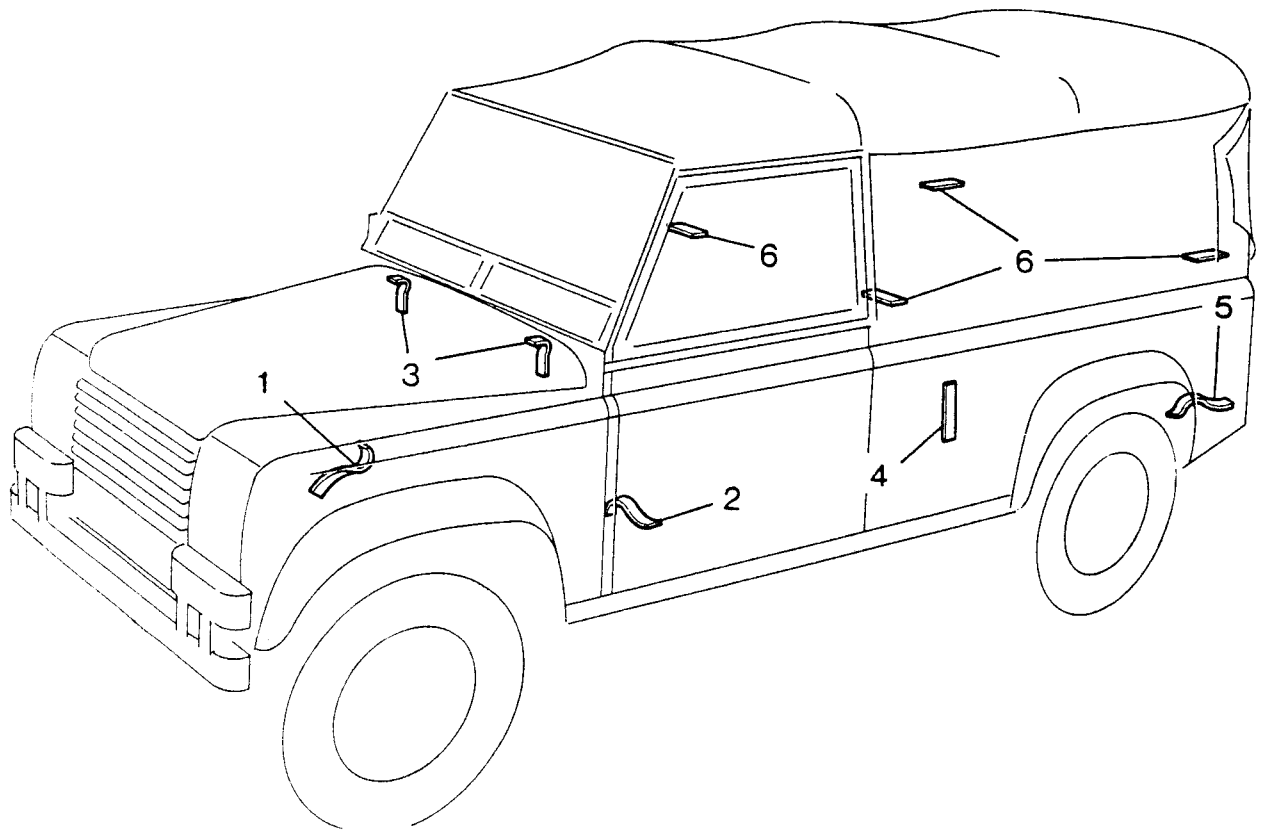
TS6132



MODEL LAND ROVER  
BLOCK TS 6132  
VARIANT VD 75D

OIL TEMPERATURE GAUGE

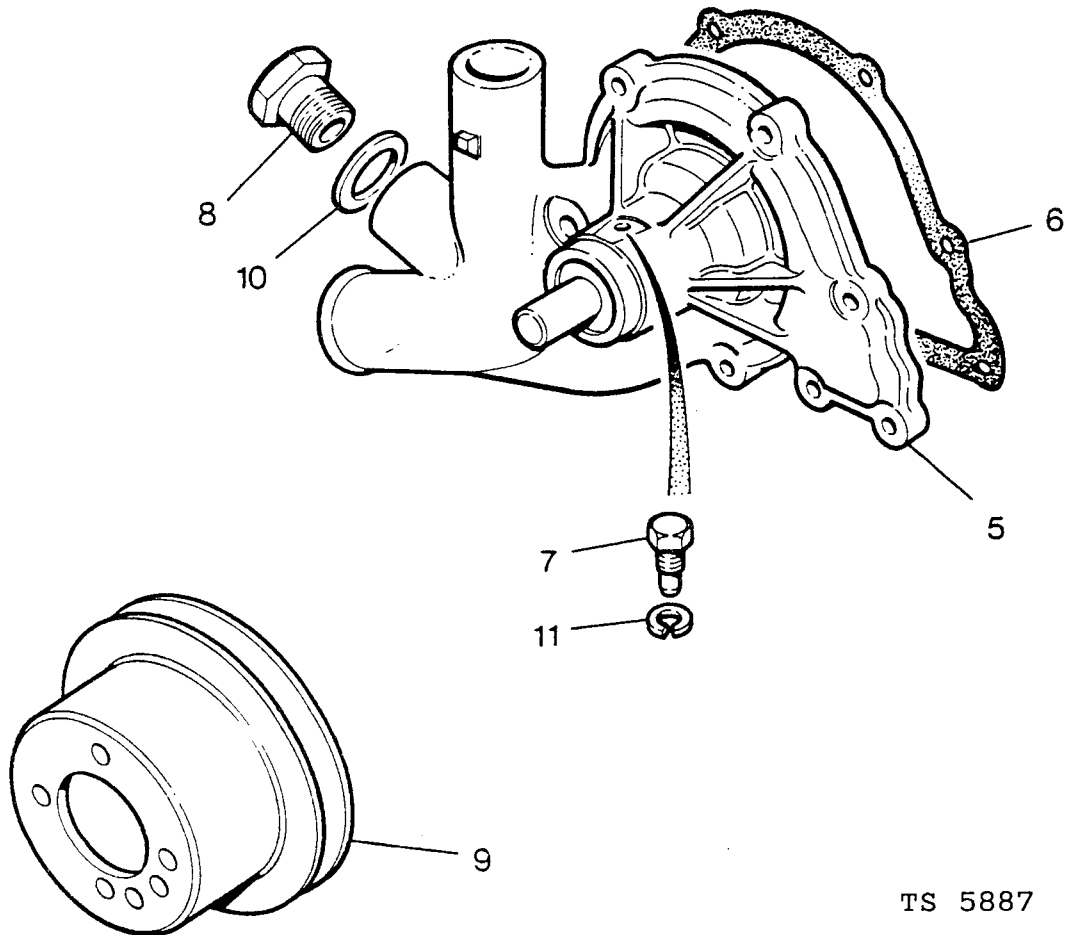
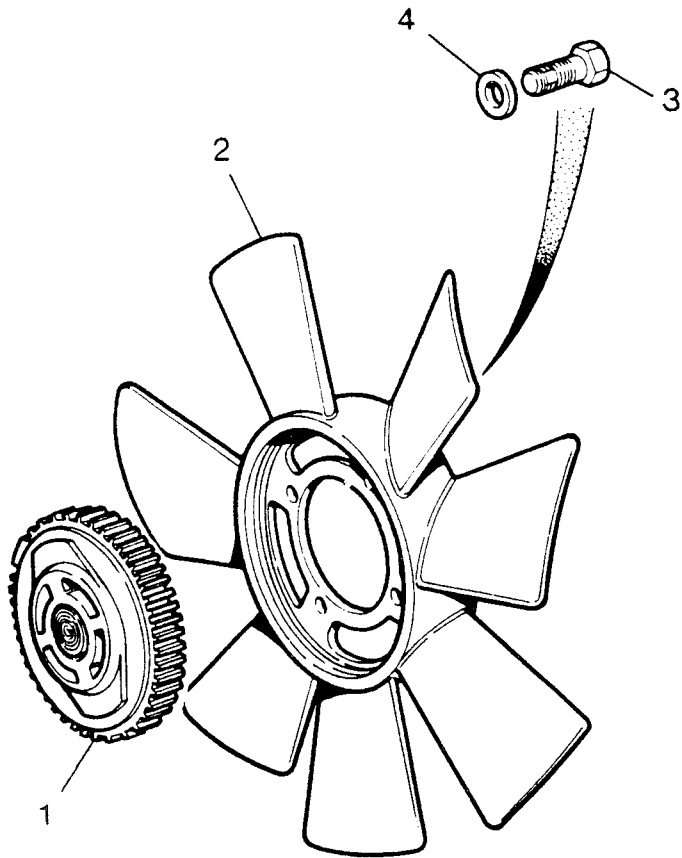
ILL	PART NO	DESCRIPTION	QTY	REMARKS
1	PRC3115	Oil Temperature Gauge	1	
2	PRC4372	Oil Temperature Transmitter	1	
	PRC4460	Cable Assembly Instrument Illumination	1	



BONDING LEAD

ILL	PART NO	DESCRIPTION	QTY	REMARKS
1	552632	Bonding Lead-Toe-Box to Chassis	1	
	SH106201L	Screw )	1	
	WA106041L	Plain Washer ) Lead to Toe-Box	2	
	WL106001L	Spring Washer)	1	
	NH106041L	Nut )	1	
2	552632	Bonding Lead-Gearbox to Chassis	1	
	SH108161L	Screw ) Lead to Gearbox	1	
	WL108001L	Spring Washer)	1	
3	552632	Bonding Lead-Bonnet to Dash		
		Panel	2	
	72628	Screw )Lead to Dash Panel	2	
	WC106041L	Plain Washer )	2	
4	552632	Bonding Lead-Rear Body to		
		Chassis	2	
	SH106161L	Screw )	2	
	WA106041L	Plain Washer ) Lead to Rear Body	4	
	WL106001L	Spring Washer)	2	
	NH106041L	Nut )	2	
	SH108161L	Screw )	2	
	WA108051L	Plain Washer ) Lead to Chassis	4	
	WL108001L	Spring Washer )	2	
	NH108041L	Nut )	2	
5	PRC5280	Bonding Lead-Chassis to Exhaust		
		Retainer	1	
	NH108041L	Nut-Lead to Exhaust Retainer	1	
	SH105251L	Screw )	1	
	WA105001L	Plain Washer ) Lead to Chassis	2	
	WL105001L	Spring Washer)	1	
	NH105041L	Nut )	1	
6	552633	Bonding Lead-Rear Body Capping	4	
	AB606031L	Screw-Lead to Body Capping	8	

VE 8D  
THERMOSTATIC FAN DRIVE

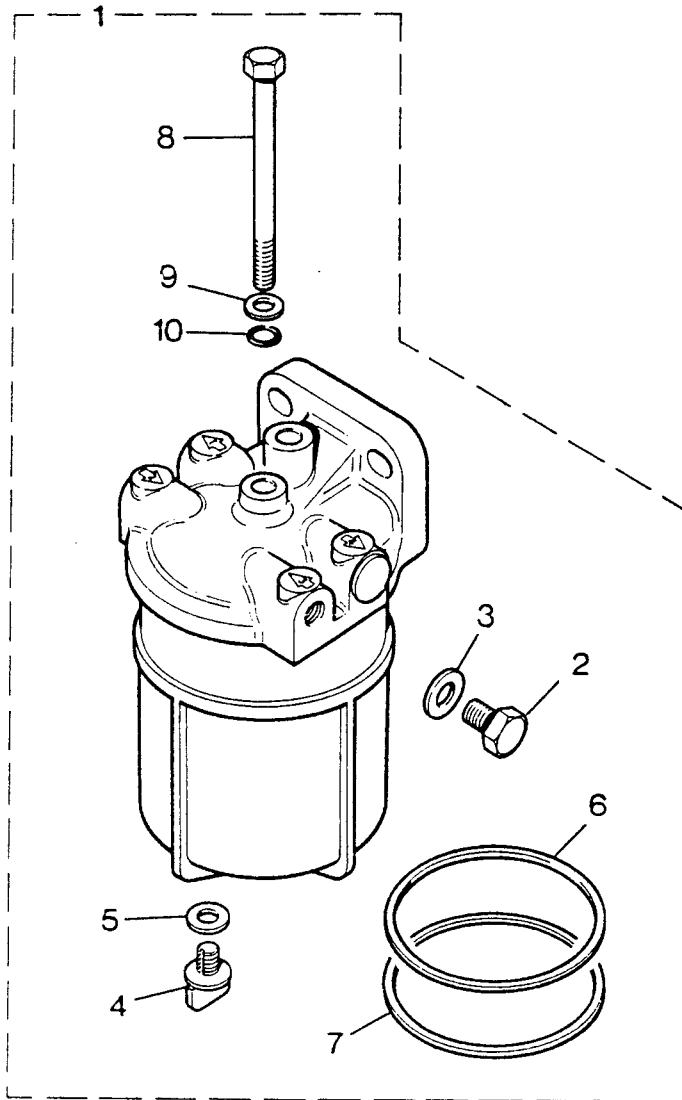


TS 5887

THERMOSTATIC FAN DRIVE

ILL	PART NO	DESCRIPTION	QTY	REMARKS
1	ERC5708	Viscous Unit	1	
2	ERC7834	Fan	1	
3	ERC5709	Screw ) Fixing Fan to	4	
4	WA106041L	Washer Plain ) Viscous Unit	4	
5	ETC5892	Water Pump	1	
6	232046	Gasket	1	
	ERC9174	Seal	1	
	RTC3072	Spindle	1	
7	ERC5600	Bolt-Water Pump Bearing	1	
8	ERC7312	Plug	1	
9	ETC4785	Pulley Water Pump	1	
10	232046	Washer Joint	1	
11	WL106001L	Washer	1	

VE 10A  
SEDIMENTOR

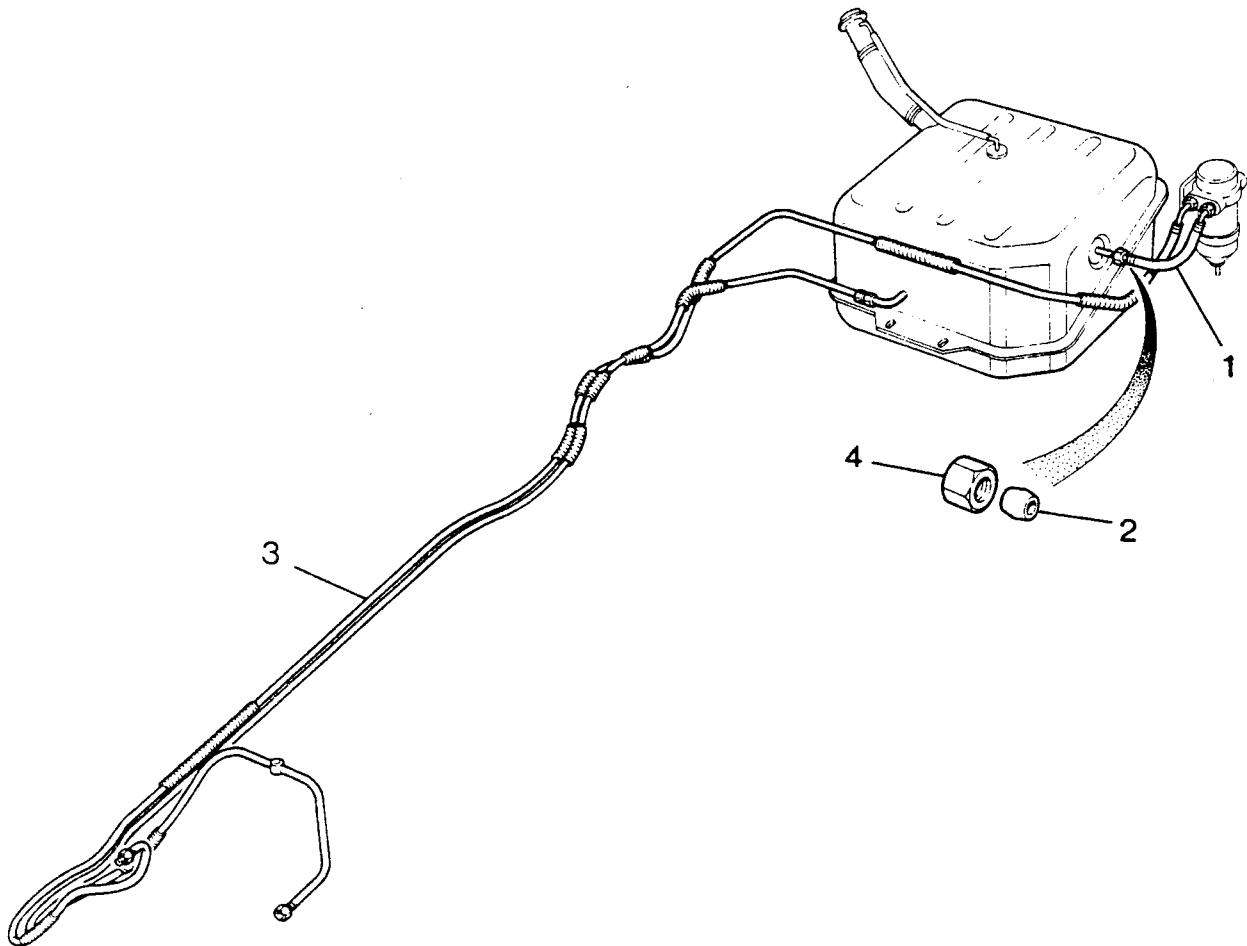


VS 3993

SEDIMENTOR

ILL	PART NO	DESCRIPTION	QTY	REMARKS
1	562748	Sedimentor Assembly	1	
2	517689	Plug Blanking	1	
3	517706	Joint Washer	1	
4	37H7920	Drain Plug	1	
5	605011	Seal Drain Plug	1	
6	AAU9903	Seal Sedimentor - Top	1	
7	AAU9902	Seal Sedimentor - Bottom	1	
8	37H8119L	Bolt Centre	1	
9	522940	Washer-Centre Bolt	1	
10	37H770L	O Ring-Centre Bolt	1	

VE 10A  
SEDIMENTOR PIPES



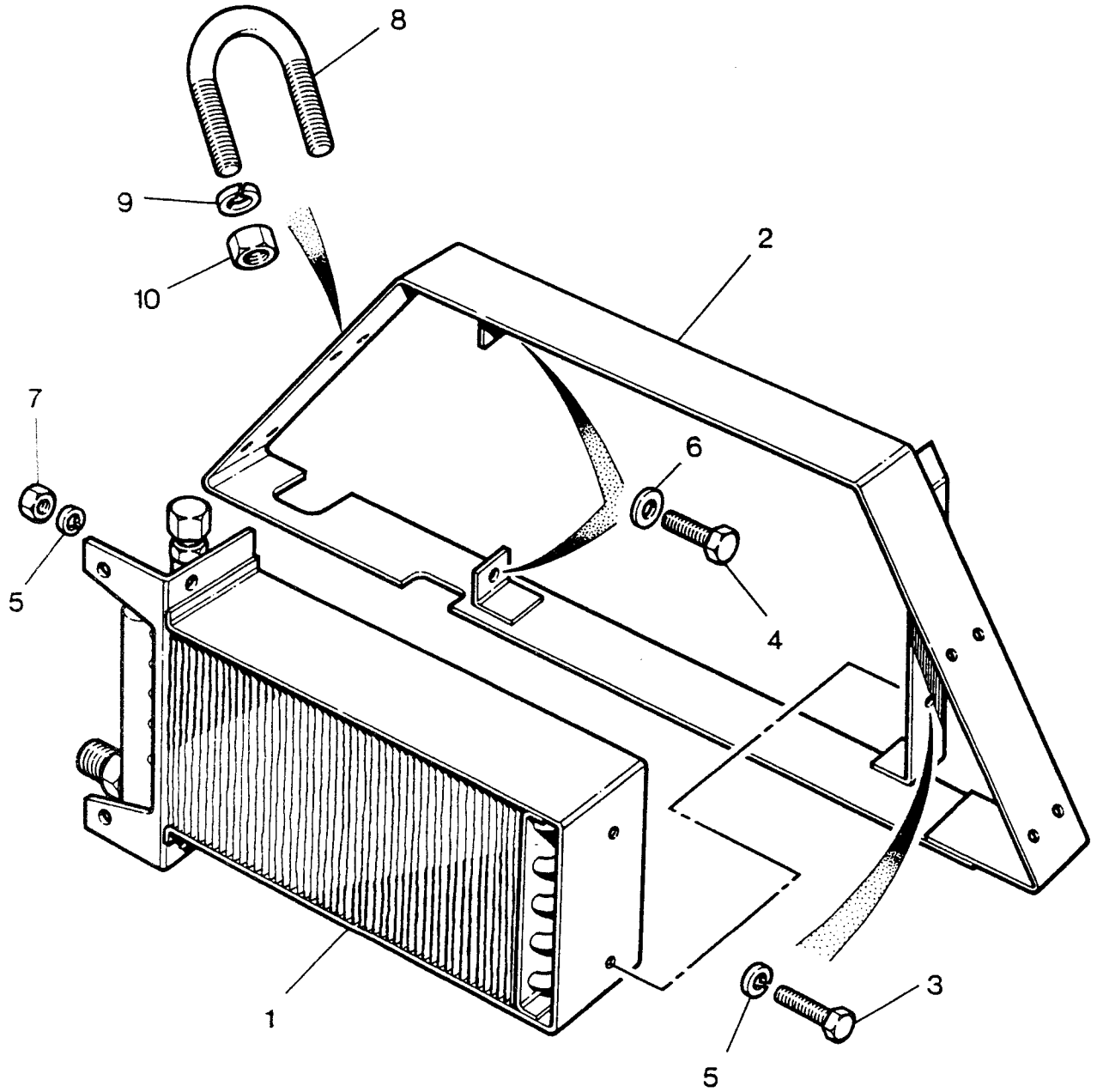


MODEL LAND ROVER  
BLOCK VS 3916  
VARIANT VE 10A

FUEL SYSTEM SEDIMENTOR (ADDITIONAL)

ILL	PART NO	DESCRIPTION	QTY	REMARKS
1	NRC8103	Fuel Pipe Sedimentor to Pump	1	
2	542846	Olive	A/R	
3	NRC8462	Fuel Pipe Tank to Sedimentor	1	
4	NRC7318	Nut	A/R	

VE 14G  
OIL COOLER



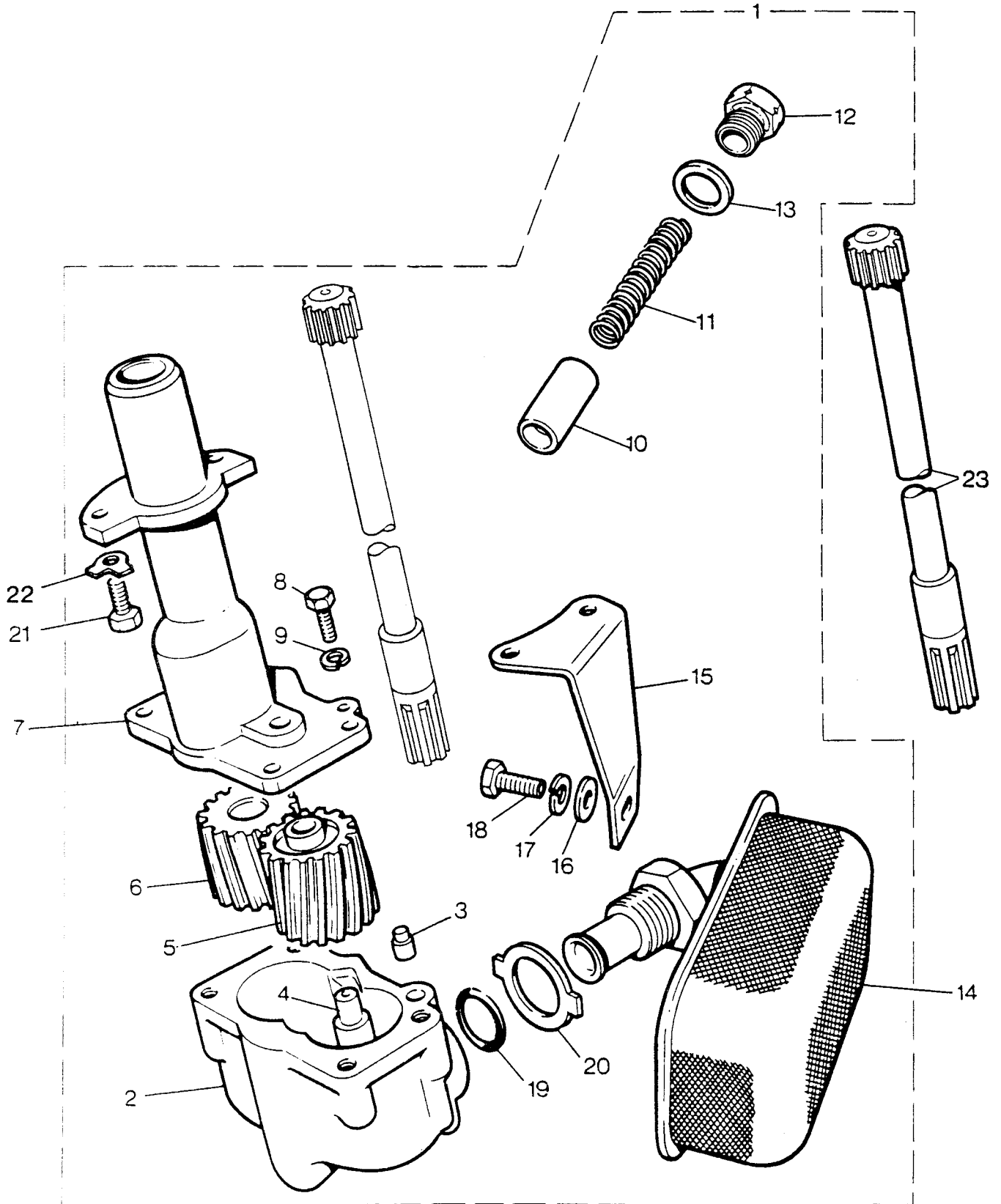
VS 4145

MODEL LAND ROVER  
BLOCK VS 4145  
VARIANT VE 14G

ENGINE - OIL COOLER & MOUNTING FRAME

ILL	PART NO	DESCRIPTION	QTY	REMARKS
1	NRC7741	Oil Cooler	1	
2	NRC7458	Frame - Oil Cooler Mounting	1	
3	SH106121L	Screw	2	
4	SH106161L	Screw	2	
5	WL106001L	Spring Washer	4	
6	WA106041L	Plain Washer	2	
7	NH106041L	Nut	2	
8	NRC7459	'U' Bolt	4	
9	WL106001L	Spring Washer	8	
10	NH106041L	Nut	8	

VE 14G  
OIL PUMP

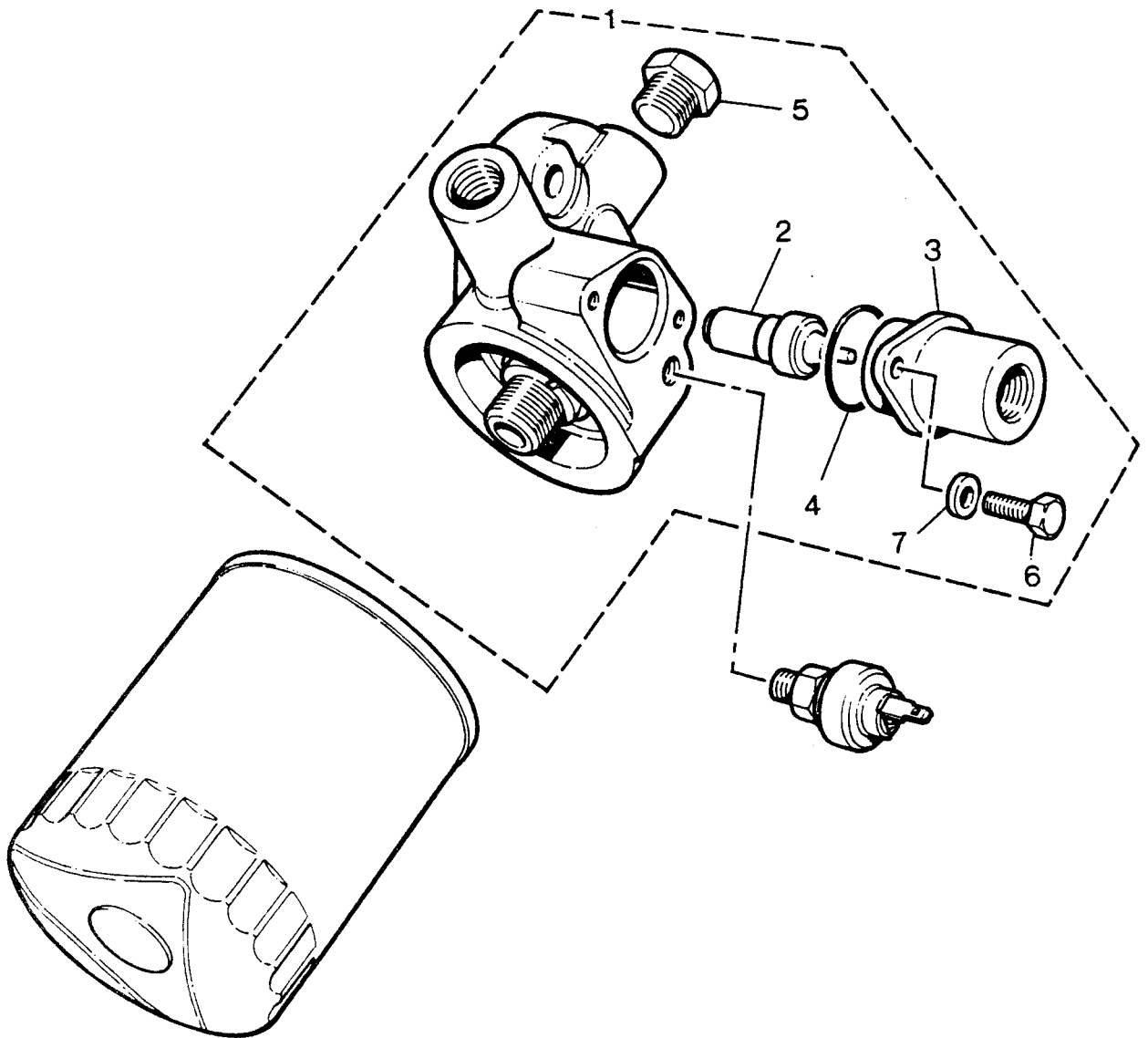


VS4268

ENGINE - OIL PUMP

ILL	PART NO	DESCRIPTION	QTY	REMARKS
1	RTC3111	Oil Pump Assembly - Less Shaft	1	
2	ETC5646	Oil Pump Body	1	
3	236257	Dowel	2	
4	90502209	Spindle - Idler Wheel	1	
5	ERC9707	Idler Wheel	1	
6	ERC9706	Drive Wheel	1	
7	513639	Cover	1	
8	SH108201L	Screw	4	
9	WL108001L	Spring Washer	4	
10	ETC4880	Plunger	1	
11	564456	Spring	1	
12	564455	Plug	1	
13	232044	Joint Washer	1	
14	ERC7530	Filter	1	
15	ERC7940	Bracket - Support	1	
16	WA108051L	Washer )	1	
17	WL108001L	Spring Washer )Support Bracket	1	
18	SH108201L	Screw )	1	
19	244488	O Ring	1	
20	244487	Lockwasher	1	
21	SH108251L	Screw	2	
22	247665	Lockwasher	1	
23	ERC9669	Drive Shaft	1	

VE 14G  
OIL FILTER



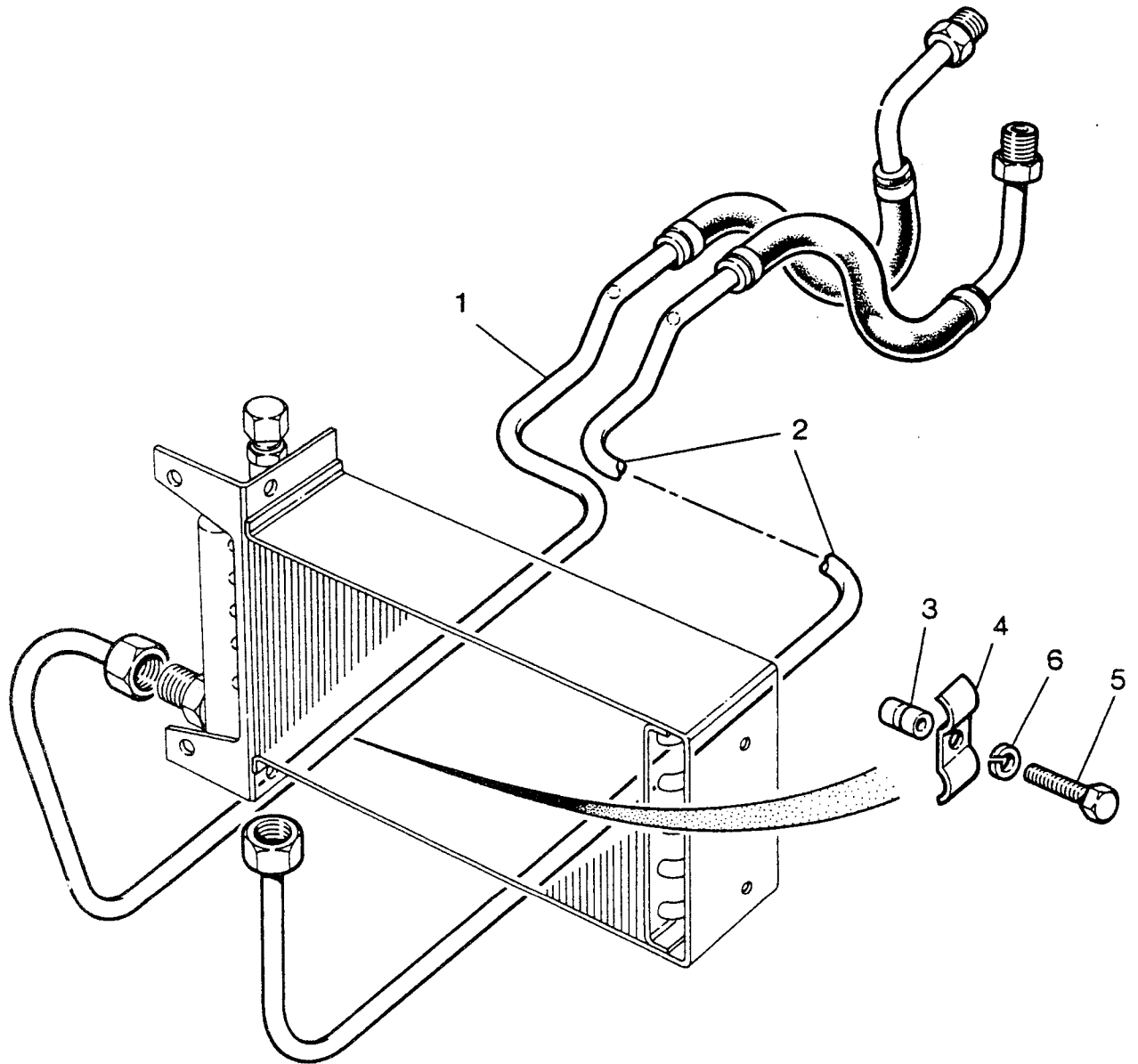
VS 4205A

MODEL LAND ROVER  
BLOCK VS 4205/A  
VARIANT VE 14G

ENGINE - OIL FILTER

ILL	PART NO	DESCRIPTION	QTY	REMARKS
1	ETC5348	Oil Filter Adaptor Assembly	1	
2	ERC5923	Thermostat Bulb	1	
3	ETC4022	Adaptor	1	
4	ERC5913	O Ring	1	
5	ETC4021	Plug	1	
6	SH106141L	Screw	2	
7	WA106041L	Washer Plain	2	

VE 14G  
OIL COOLER PIPE



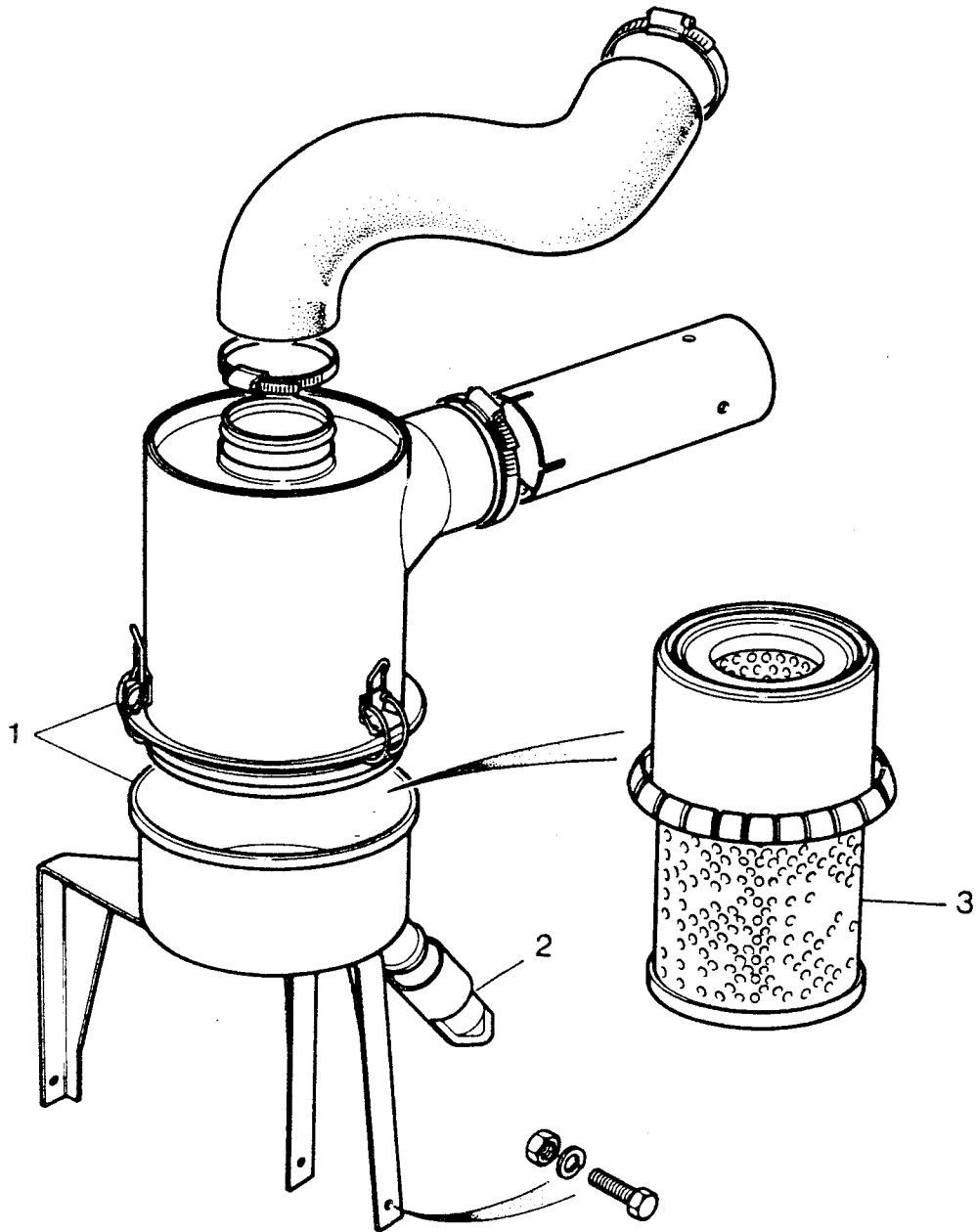
VS 4147



ENGINE - OIL COOLER PIPES

ILL	PART NO	DESCRIPTION	QTY	REMARKS
1	NRC8507	Pipe Assembly - Feed	1	
2	NRC8508	Pipe Assembly - Return	1	
3	NN106011L	Nutsert	1	
4	594637	Saddle Clip	1	
5	SH106161L	Screw	1	
6	WL106001L	Spring - Washer	1	
	NRC8618	Pipe Coupling	2	

VE 61D  
AIR CLEANER



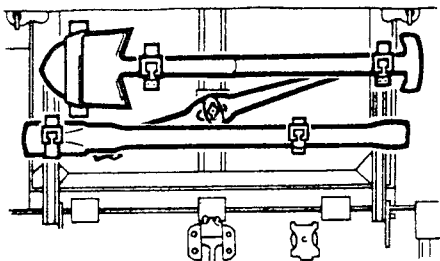
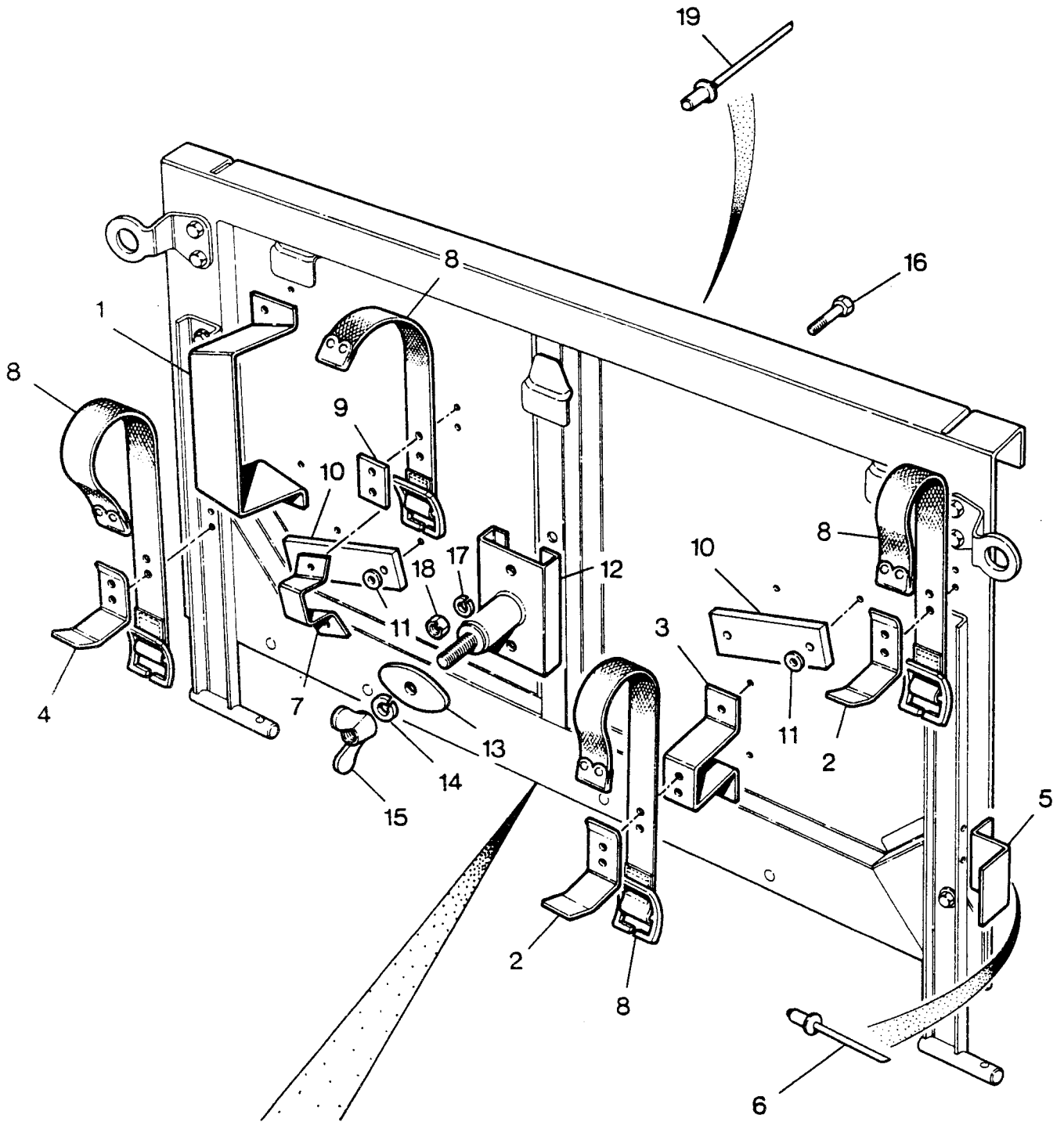
TS6135

MODEL LAND ROVER  
BLOCK TS 6135  
VARIANT VE 61D

AIR CLEANER

ILL	PART NO	DESCRIPTION	QTY	REMARKS
1	RRC3750	Air Cleaner Assembly	1	
2	NRC8955	Dump Valve	1	
3	NRC9238	Element	1	
	RRC3760	Baffle Fan Cowl	1	
	RRC3746	'O' Ring	1	

VF 63A  
TOOL STOWAGE

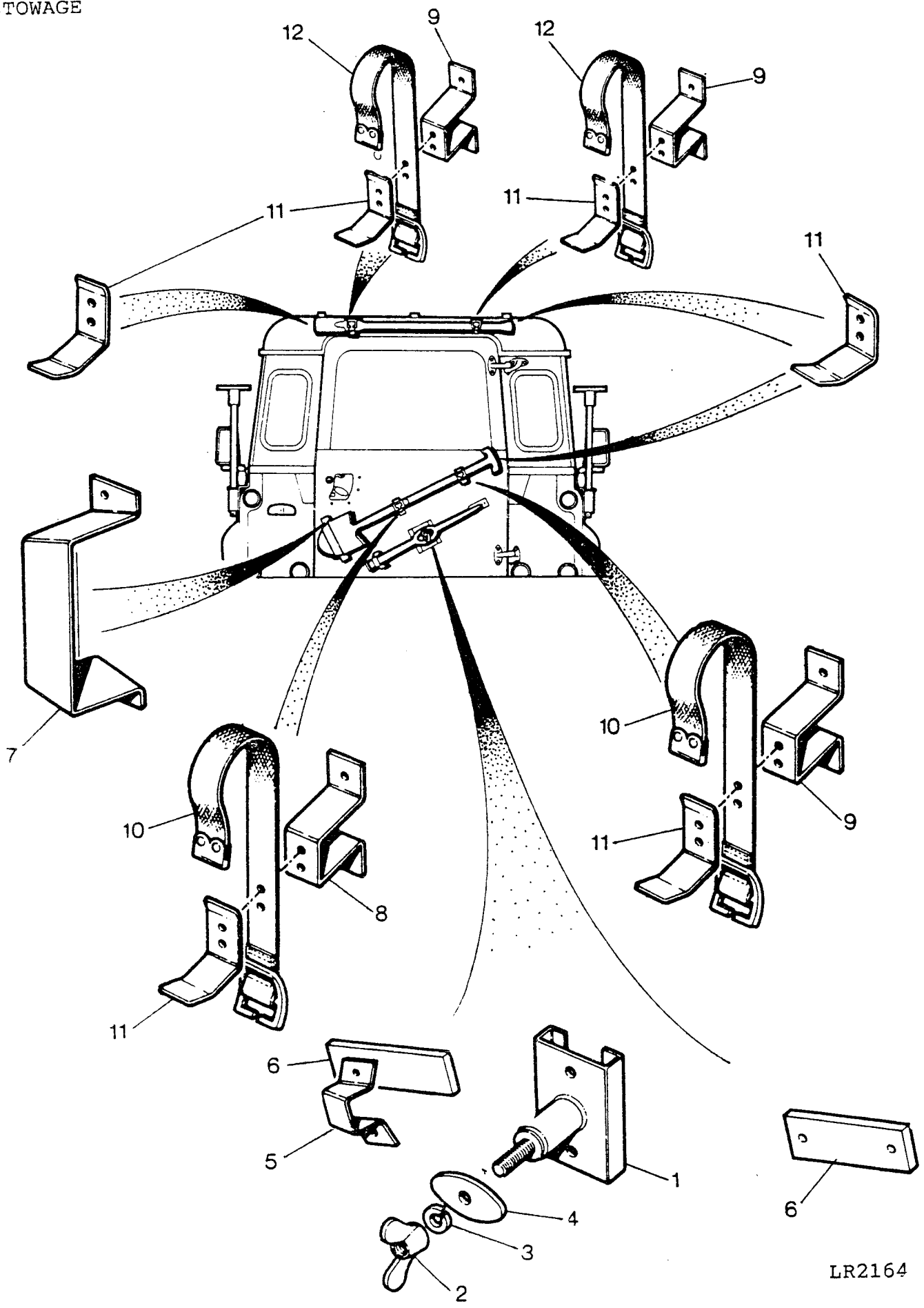


VS 3604

TOOL STOWAGE - TAILBOARD

ILL	PART NO	DESCRIPTION	QTY	REMARKS
1	336334	Shovel Support & Bracket	1	
2	336346	Tool Support Bracket	2	
3	336347	Pick Axe Bracket Support	1	
4	336348	Pick Axe Shaft Support	1	
5	336349	Pick Axe Shaft Stop Bracket	1	
6	78652	Pop Rivet, Shaft Stop Bracket to Tailboard	2	
7	336350	Pick Axe Support Bracket	1	
8	308792	Strap Assembly, Shovel & Pick Helve	4	
9	336345	Strap Plate	1	
10	336352	Pad	2	
11	WC702101L	Plain Washer, Pads to Tailboard	4	
12	337981	Pick Axe Support Complete	1	
13	336351	Retaining Plate, Pick Axe	1	
14	WM600081L	Spring Washer )Retaining	1	
15	250055	Wing Nut )Plate	1	
16	256222	Bolt, 5/16 UNF x 1½")Support	2	
17	WM600051L	Spring Washer )to	2	
18	NH605041L	Nut, 5/16"UNF )Tailboard	2	
19	78410	Pop Rivet, Brackets, Straps & Pads to Tailboard	18	

VF 63B  
TOOL STOWAGE



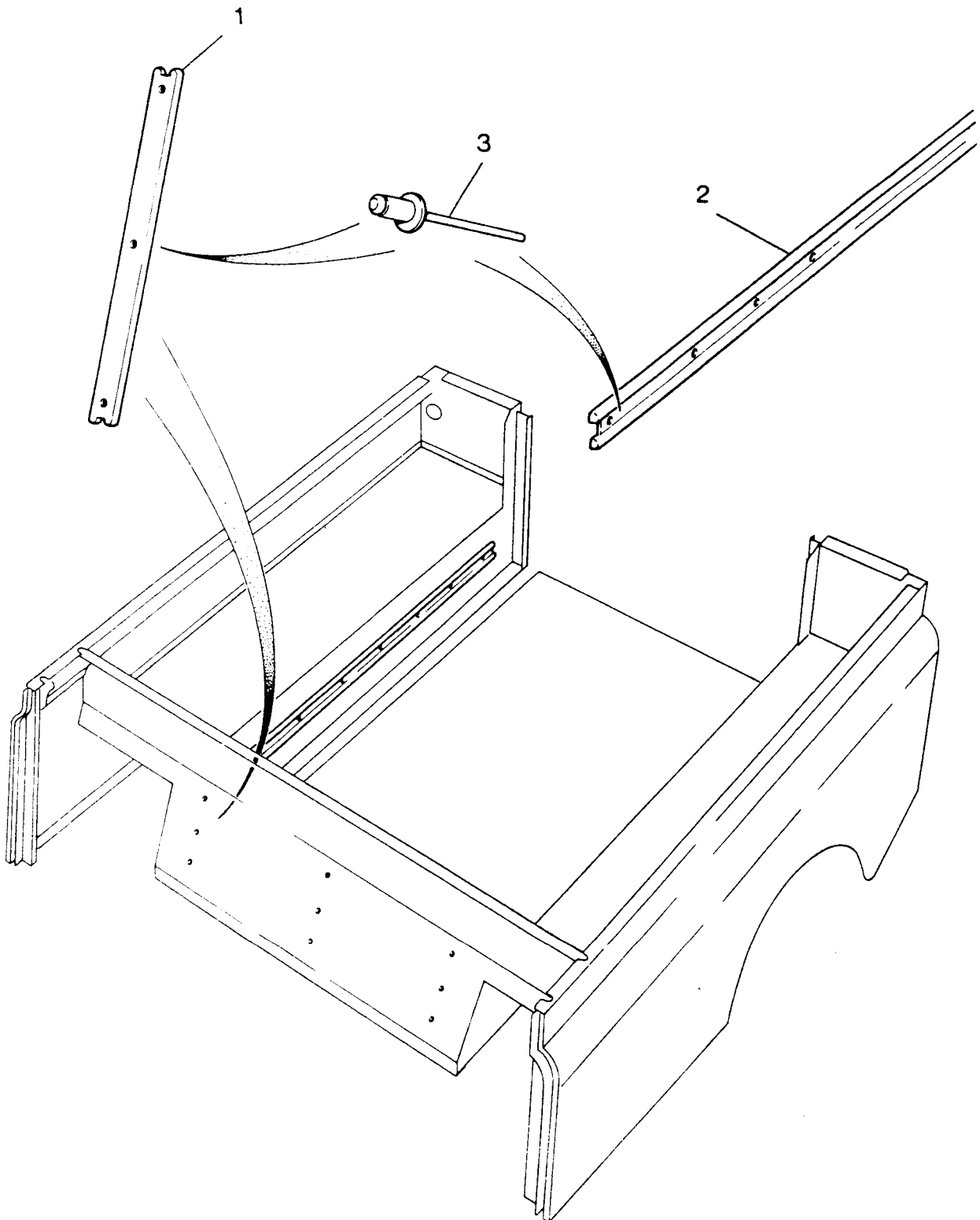
LR2164

MODEL LAND ROVER  
BLOCK LR 2164  
VARIANT VF 63B

TOOL STOWAGE - REAR DOOR

ILL	PART NO	DESCRIPTION	QTY	REMARKS
1	337981	Pick Axe Support Centre	1	
2	250055	Wing Nut	1	
3	WM600081L	Washer Spring	1	
4	336351	Retaining Plate	1	
5	336350	Pick Axe Support Bracket	1	
6	336352	Pad	3	
7	395111	Bracket Shovel Support	1	
8	335617	Bracket Shovel Support Large	1	
9	335618	Bracket Shovel & Pick Axe Handle Support	3	
10	308792	Strap Shovel Support	2	
11	336346	Tool Support Angle	7	
12	308792	Strap Pick Axe Handle Support	2	

VF 84B  
RUBBING STRIPS



TS 6283

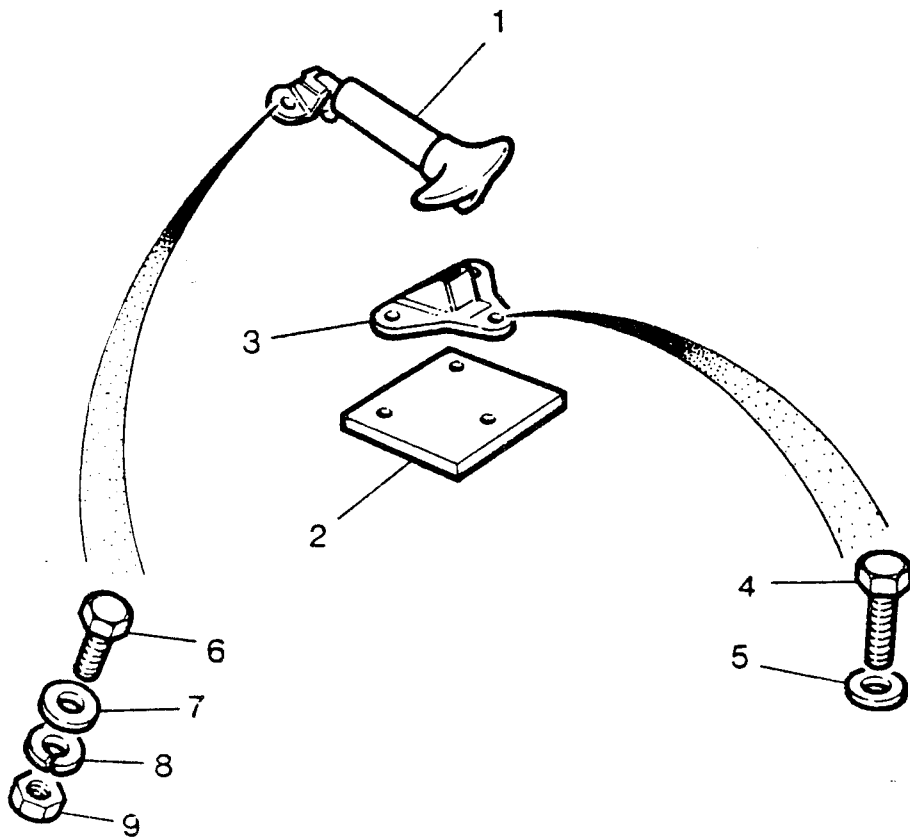


MODEL LAND ROVER  
BLOCK TS 6283  
VARIANT VF 84B

BODY - RUBBING STRIPS

ILL	PART NO	DESCRIPTION	QTY	REMARKS
1	330615	Tread Plate-Rear Floor and Wheelarch Box	2	
2	330717	Tread Plate-Vertical-Front Panel	4	
3	RU612253L	Rivet-Tread Plates	38	

VF 85B  
BONNET FASTNERS

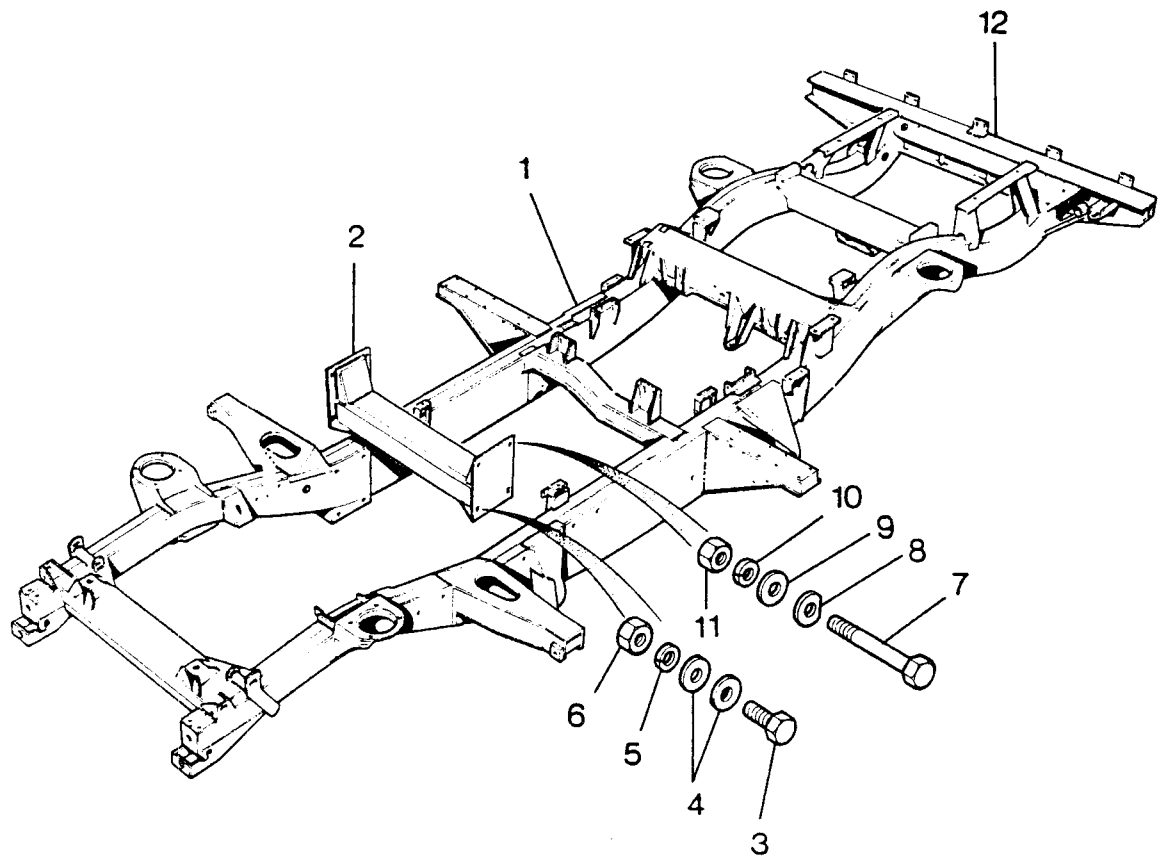


VS1443

MODEL LAND ROVER  
BLOCK VS 1443  
VARIANT VF 85B

BODY - BONNET FASTENER

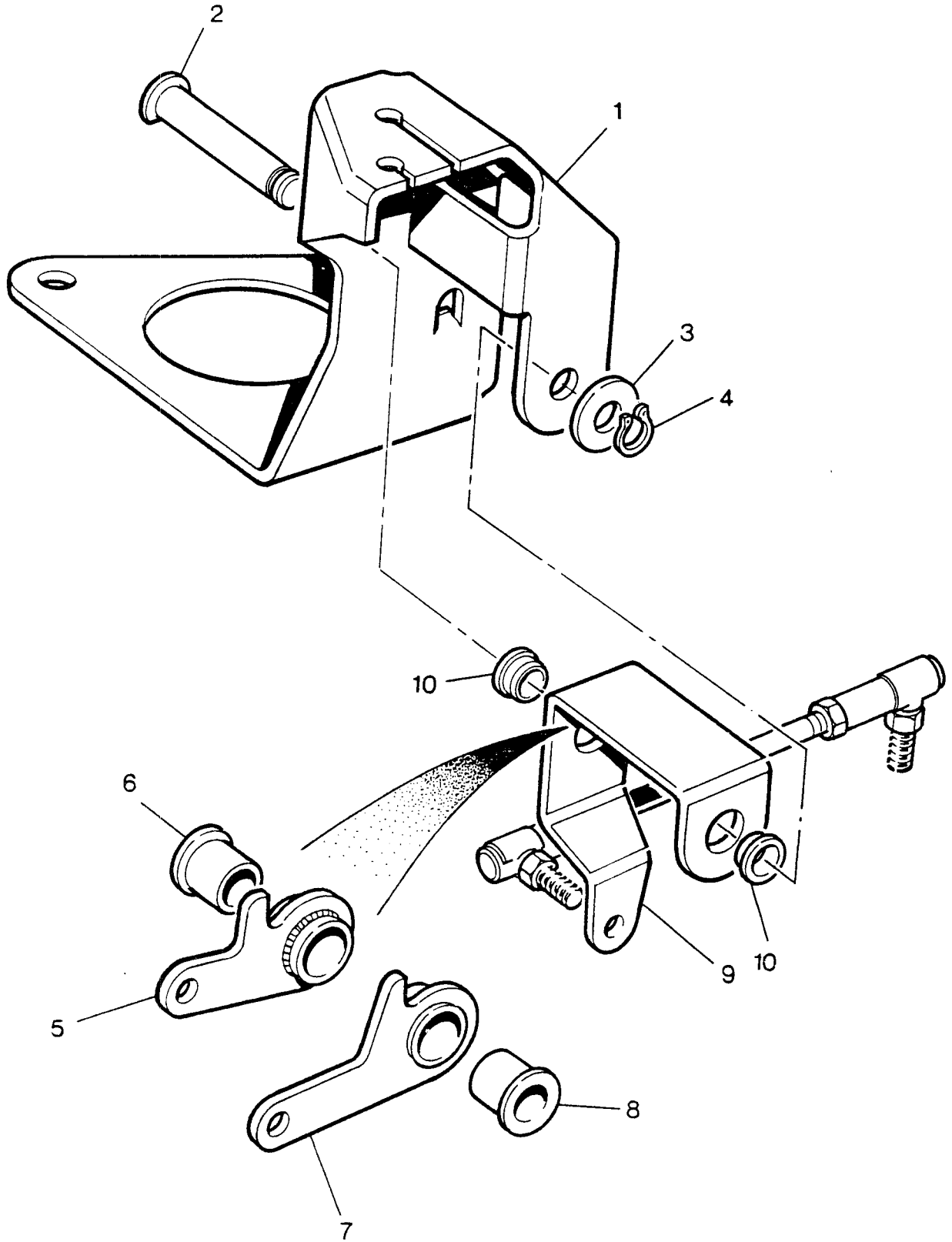
ILL	PART NO	DESCRIPTION	QTY	REMARKS
1	MRC5314	Bonnet Fastener	2	
2	RRC3815	Tapped Plate-Bonnet Fastener	2	
3	300693	Staple	2	
4	SH105161L	Screw	3	
5	WL105001L	Spring Washer	3	
6	SH106141L	Screw	2	
7	WC106041L	Plain Washer	2	
8	WL106001L	Spring Washer	2	
9	NH106041L	Nut	2	



CHASSIS

ILL	PART NO	DESCRIPTION	QTY	REMARKS
1	NTC2768	Chassis Frame	1	
2	NRC7768	Detachable Crossmember	1	
3	SH110251L	Screw )	4	
4	WC110061L	Plain Washer )	8	
5	WL110001L	Spring Washer )	4	
6	NH110041L	Nut ) Detachable	4	
7	BH110201L	Bolt ) Crossmember	4	
8	NRC5485	'D' Washer ) to Chassis	4	
9	WC110061L	Plain Washer )	4	
10	WL110001L	Spring Washer )	4	
11	NH110041L	Nut )	4	
12	NTC1725	Rear Crossmember	1	
	RTC3354	Kit-Fixing Rear Crossmember	1	

VG 22E  
HAND THROTTLE



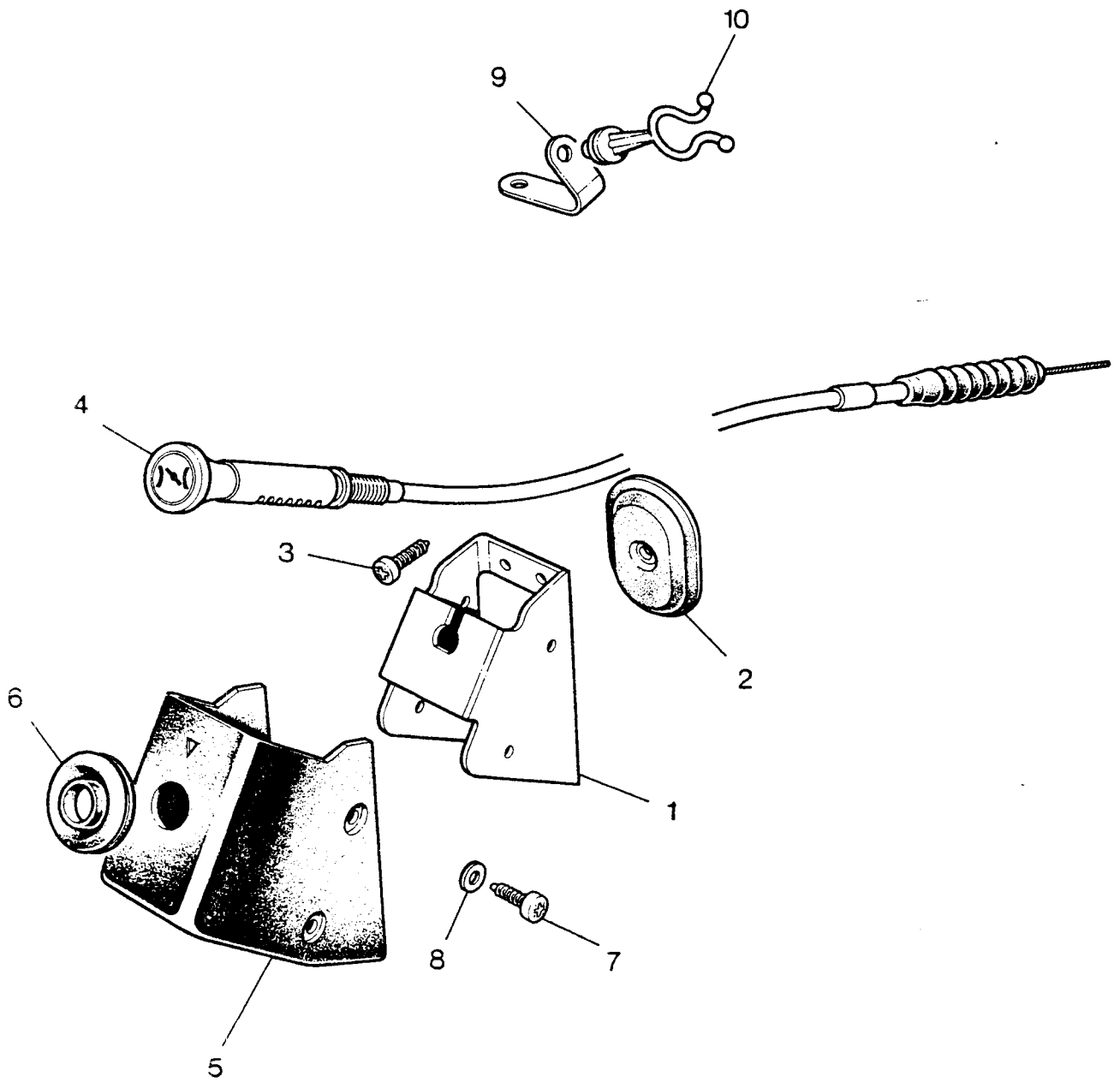
TS 569C

MODEL LAND ROVER  
BLOCK TS 5690  
VARIANT VG 22E

FUEL SYSTEM - HAND THROTTLE CONTROL (RHD)

ILL	PART NO	DESCRIPTION	QTY	REMARKS
1	ETC6630	Hand Throttle Control Assembly	1	
2	ETC4686	Pivot Pin	1	
3	WA108051L	Washer Plain	1	
4	CR120081L	Circlip	1	
	ETC6631	Bracket Throttle Linkage	1	
5	ETC5182	Throttle Lever	1	
6	522932	Bush	1	
7	ETC5183	Lever-Hand Throttle	1	
8	522932	Bush	1	
9	ETC4678	Lever-Relay Assembly	1	
10	613915	Bush	1	

VG 22E  
HAND THROTTLE



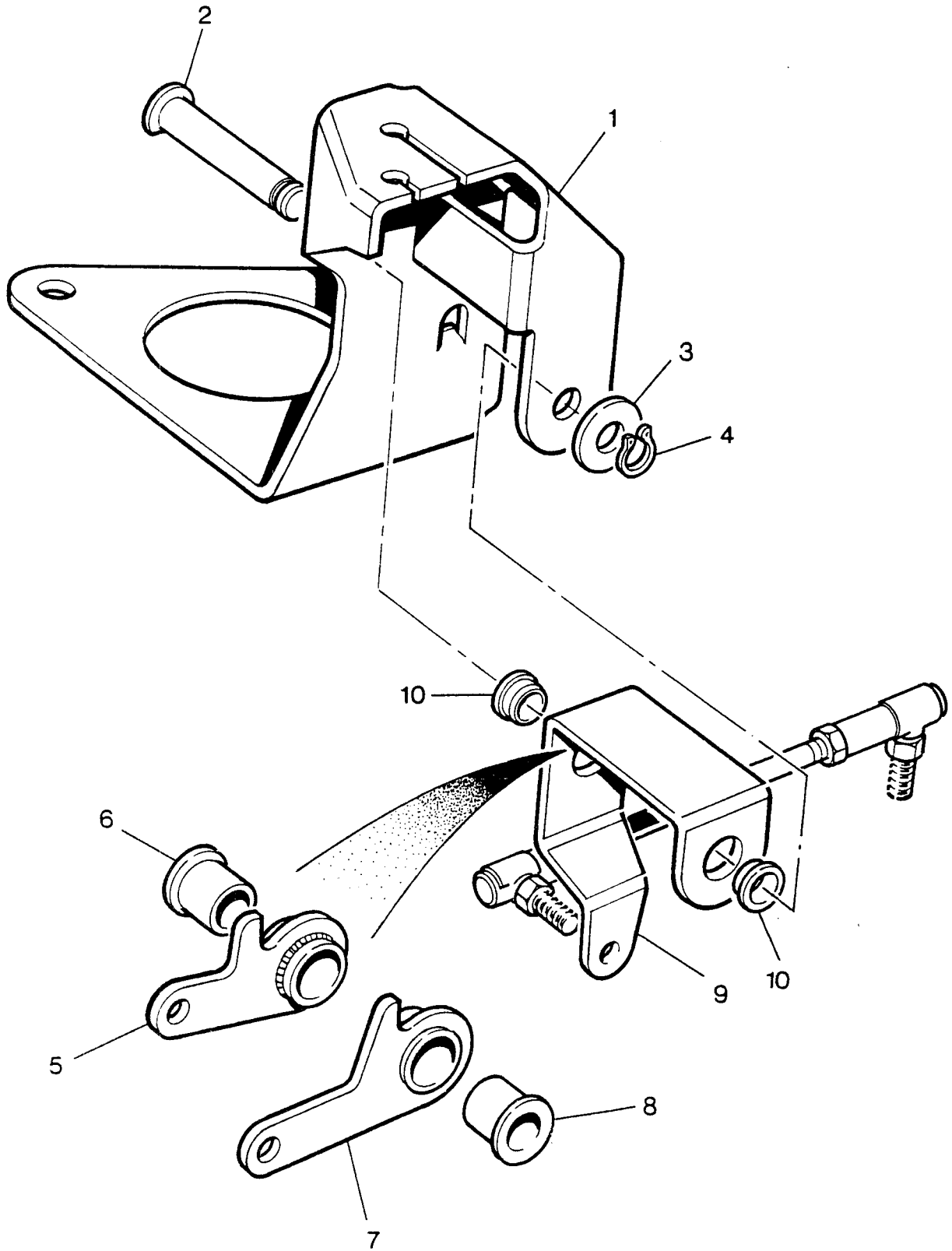
VS 403C



FUEL SYSTEM - HAND THROTTLE (RHD)

ILL	PART NO	DESCRIPTION	QTY	REMARKS
1	NRC8734	Mounting Bracket	1	
2	NRC6799	Grommet-Cable	1	
3	AB610041L	Screw-Fixing Mounting Bracket	4	
4	NRC8503	Cable-Hand Throttle	1	
	562481	Pin-Clevis) Fixing Cable at	1	
	PS102081	Pin-Split ) Dist Pump	1	
5	MTC3611	Cover-Hand Throttle Bracket	1	
6	531689	Grommet-Hand Throttle Cover	1	
7	AB608048L	Screw ) Fixing Cover to Bracket	2	
8	WC105001L	Washer )	2	
9	NRC8333	Bracket-Cable Clip	1	
10	NRC8332	Cable Clip	1	

VG 22F  
HAND THROTTLE



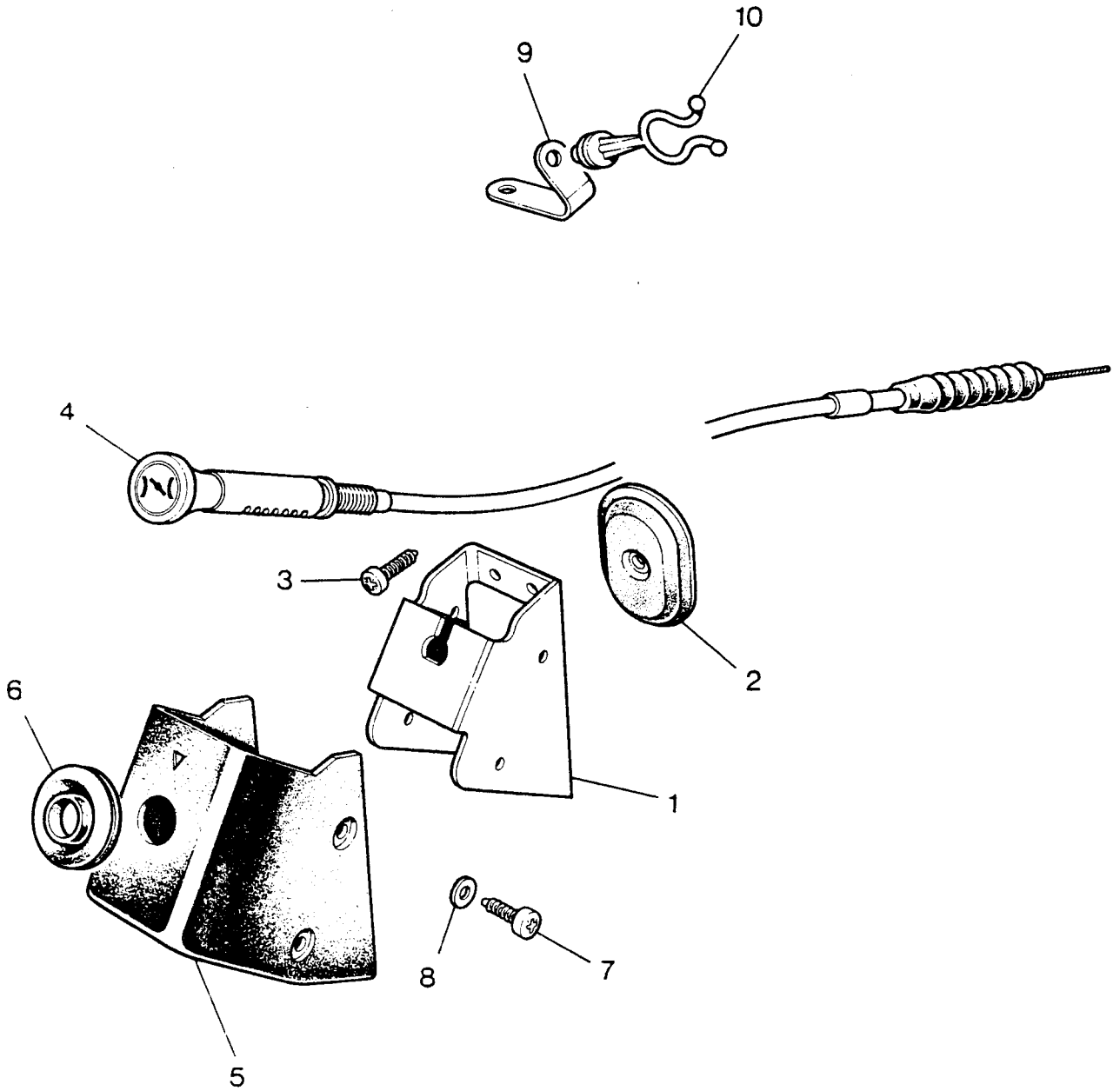
TS 569C

MODEL LAND ROVER  
BLOCK TS 5690  
VARIANT VG 22E

FUEL SYSTEM - HAND THROTTLE CONTROL (LHD)

ILL	PART NO	DESCRIPTION	QTY	REMARKS
1	ETC6630	Hand Throttle Control Assembly	1	
2	ETC4686	Pivot Pin	1	
3	WA108051L	Washer Plain	1	
4	CR120081L	Circlip	1	
	ETC6631	Bracket Throttle Linkage	1	
5	ETC5182	Throttle Lever	1	
6	522932	Bush	1	
7	ETC5183	Lever-Hand Throttle	1	
8	522932	Bush	1	
9	ETC4678	Lever-Relay Assembly	1	
10	613915	Bush	1	

VG 22F  
HAND THROTTLE

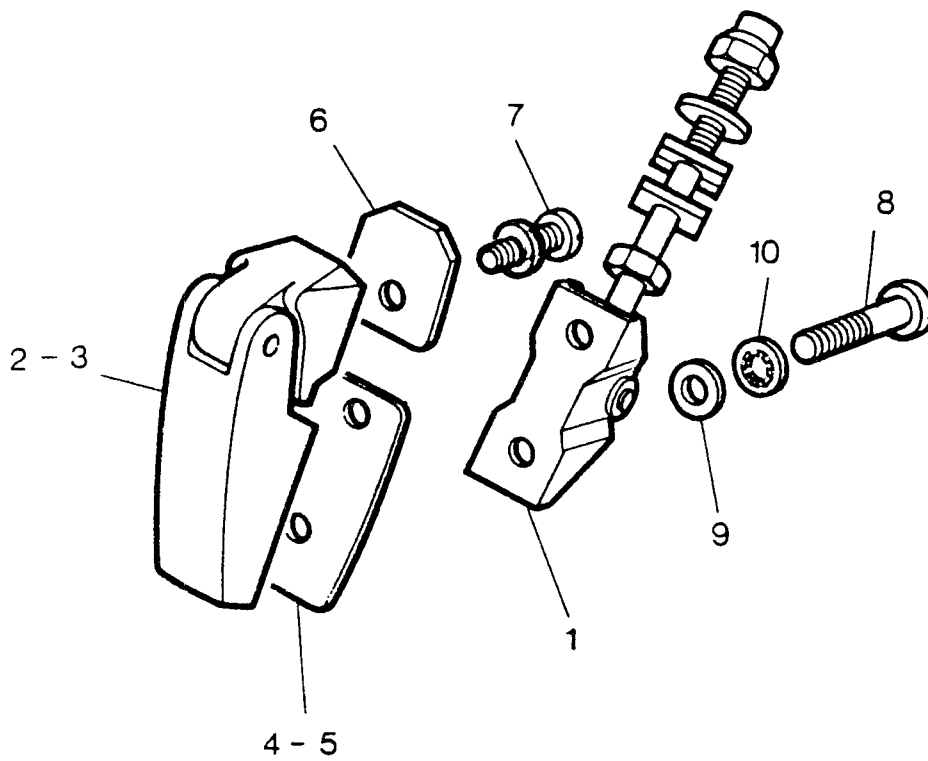


VS 403

FUEL SYSTEM - HAND THROTTLE (LHD)

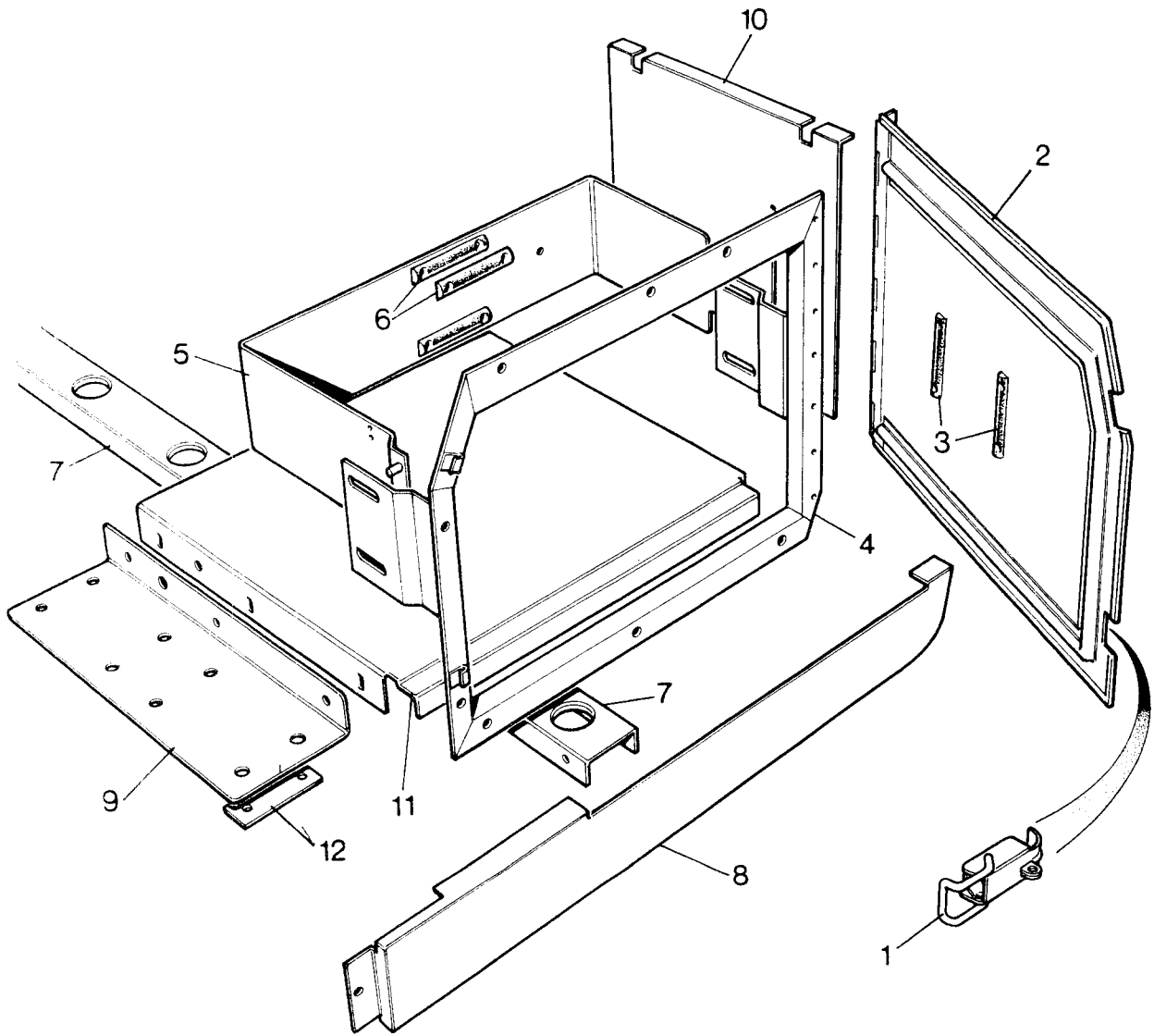
ILL	PART NO	DESCRIPTION	QTY	REMARKS
1	NRC8734	Mounting Bracket	1	
2	NRC6799	Grommet-Cable	1	
3	AR610041L	Screw-Fixing Mounting Bracket	4	
4	NRC8502	Cable-Hand Throttle	1	
	562481	Pin-Clevis) Fixing Cable at	1	
	PS102081	Pin-Split ) Dist Pump	1	
5	MTC3611	Cover-Hand Throttle Bracket	1	
6	531689	Grommet-Hand Throttle Cover	1	
7	AB608048L	Screw ) Fixing Cover to Bracket	2	
8	WC105001L	Washer )	2	
9	NRC8333	Bracket-Cable Clip	1	
10	NRC8332	Cable Clip	1	

VG 35A  
WINDSCREEN HINGES



BODY - WINDSCREEN HINGES

ILL	PART NO	DESCRIPTION	QTY	REMARKS
1	MTC4400	Windscreen Clamp Assembly	2	
2	MUC3530	Hinge-Windscreen RH	1	
3	MUC3531	Hinge-Windscreen LH	1	
4	MTC3692	Gasket-RH Hinge to Dash	1	
5	MTC3693	Gasket-LH Hinge to Dash	1	
6	MTC3694	Gasket-Hinge to Windscreen	2	
7	SE110401L	Screw )Fixing Hinge to	2	
	MUC3906	Nylon Washer)Dash	2	
8	SS108404	Screw )Fixing Hinge to	4	
9	WA108054	Washer Plain )Windscreen	4	
10	WF108004	Washer Lock )	4	



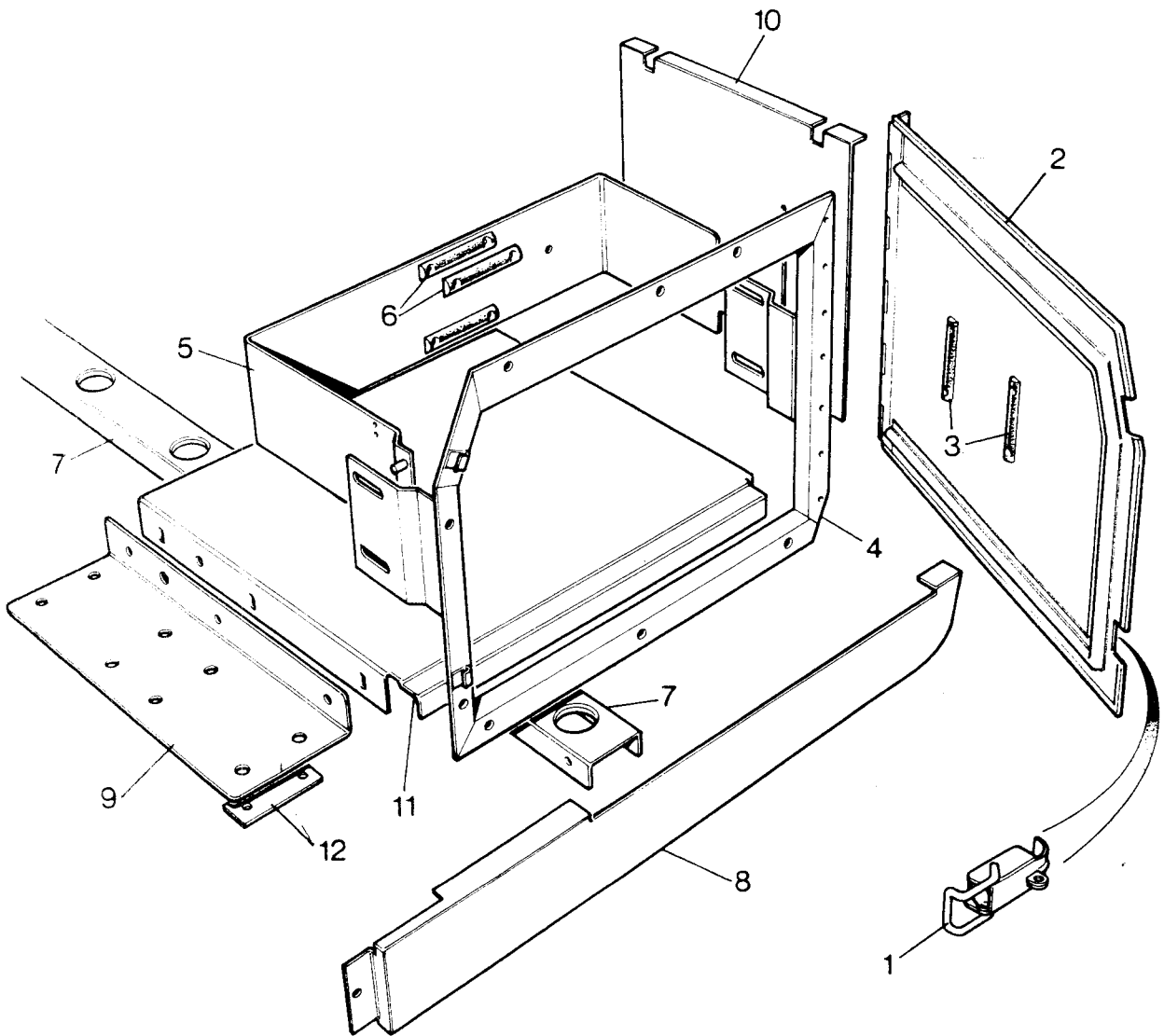
TS 6107A



MODEL LAND ROVER  
 BLOCK TS 6170/A  
 VARIANT VG 36H

BODY JERRYCAN HOLDERS

ILL	PART NO	DESCRIPTION	QTY	REMARKS
1	RRC4134	Door Catch	4	
	RA610253L	Rivet-Door Catch to Door	16	
2	<del>RRC1883</del> RRC 4793	Door Panel LH	1	
3	RRC1726	Support Rubber	2	
	<del>RRC1882</del> RRC 4792	Door Panel RH	1	
	RRC1726	Support Rubber	2	
	RA610373L	Rivet-Fixing Door to Body	14	
4	<del>RRC1893</del> RRC 3977	Outer Support Frame LH	1	
	<del>RRC1892</del> RRC 3976	Outer Support Frame RH	1	
	SF106161L	Screw )Outer Support	5	
	WA106041L	Washer Plain)Frame	5	
	NY106041L	Nyloc Nut )	5	
5	<del>RRC1894</del> RRC 4753	Cross Strap	2	
	SE106161L	Screw )Cross Strap to	2	
	WC106041L	Washer Plain )Bodyside	2	
	WL106001L	Washer Spring)	2	
	WC106041L	Washer Plain)Cross Strap to	4	
	NY106041L	Nyloc Nut )Outer Support	4	
		)Frame		
6	RRC1726	Support Rubber	4	
7	RRC2652	Crossmember	2	
	BH108121L	Bolt )Crossmember to	4	
	WL108001L	Washer Spring)Chassis	4	
	WA108051L	Washer Plain )	8	
	NH108041L	Nut )	4	
	SH108201L	Bolt )Crossmember to	4	
	WL108001L	Washer Spring )Floor, Support	4	
	WA108051L	Washer Plain )and Floor	8	
	NH108041L	Nut )support to	4	
		)Chassis		



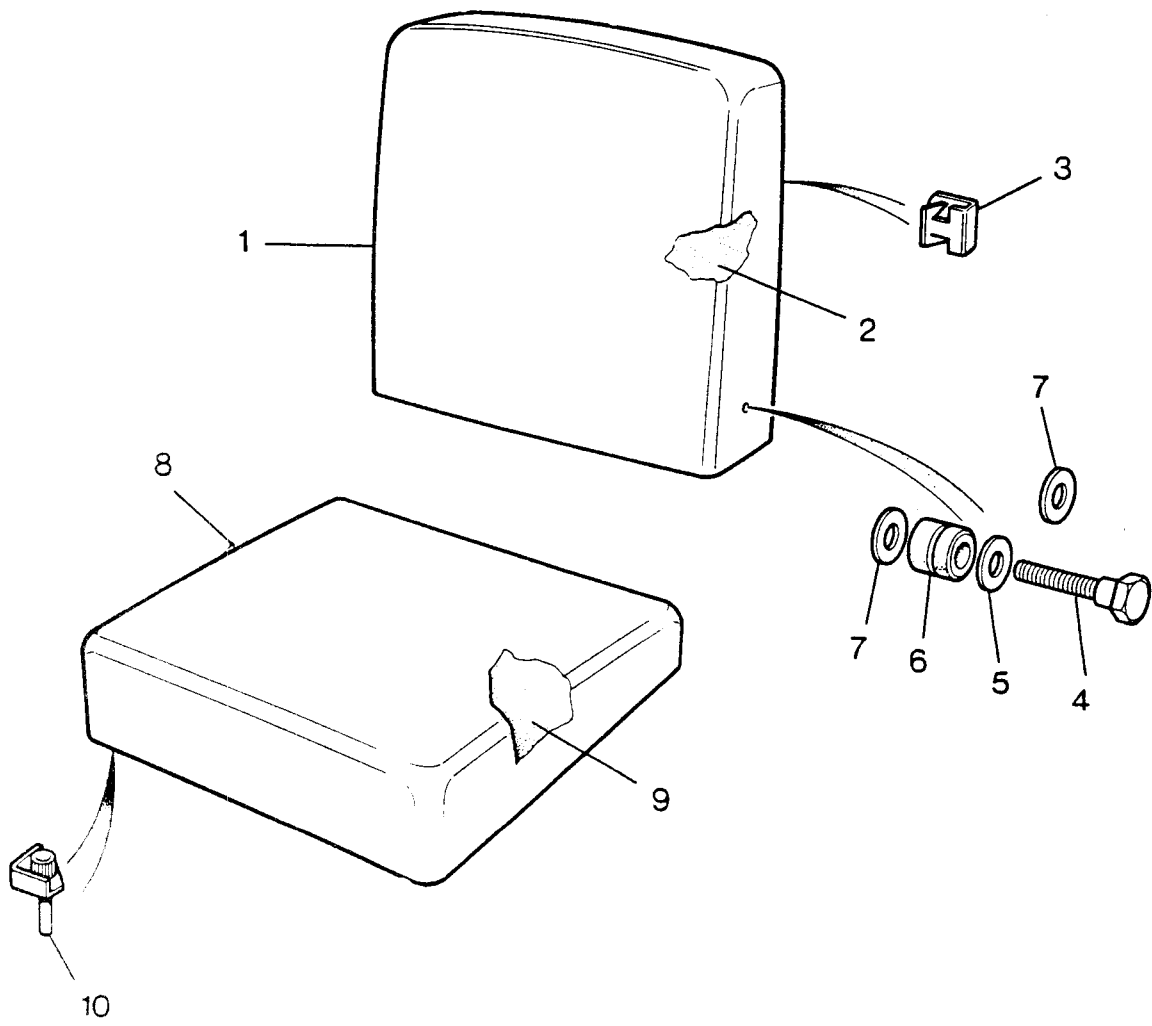
TS 6107A

MODEL LAND ROVER  
 BLOCK TS 6170/A  
 VARIANT VG 36H

BODY - JERRYCAN HOLDERS - CONTINUED

ILL	PART NO	DESCRIPTION	QTY	REMARKS
8	RRC1909	Sill Panel L.H.	1	
	RRC1908	Sill Panel R.H.	1	
9	RRC3801	Front Support Bracket	2	
10	RRC3803	Mudshield L.H.	1	
	RRC3802	Mudshield R.H.	1	
	SE106161L	Screw )Mudshield to	6	
	WC106041L	Washer Plain)Bodyside	12	
	NY106041L	Nyloc Nut )	6	
11	RRC3805	Floor L.H.	1	
	RRC3804	Floor R.H.	1	
	SH108201L	Bolt )Floor to Front	3	
	WA108051L	Washer Plain )Support Bracket	3	
	WL108001L	Washer Spring)	3	
	NH108041L	Nut )	3	
	SF106161L	Screw )Base of Outer	3	
	WC106041L	Washer Plain)Support Frame	3	
	NY106041L	Nyloc Nut )	3	
12	RRC3661	Nut Plate	8	

VG 84B  
FRONT SEATS

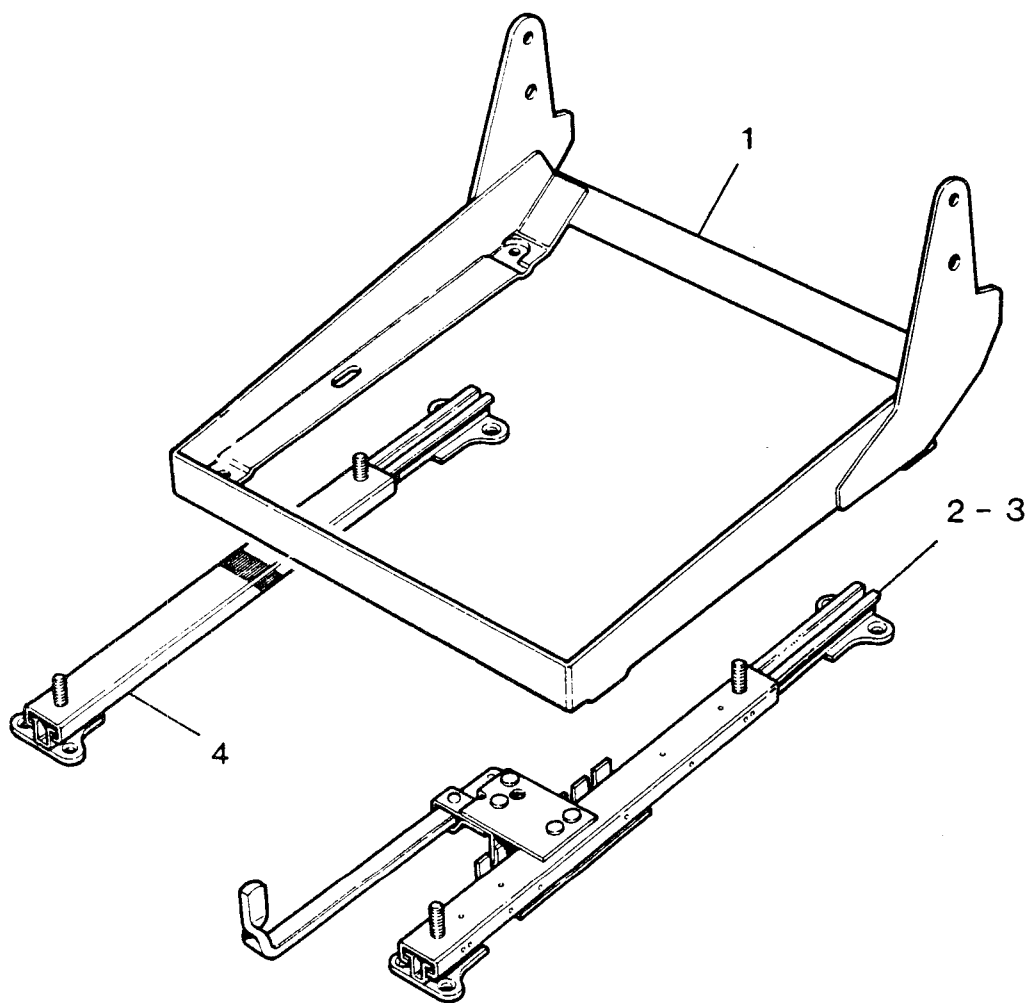


TS 5083

BODY - FRONT SEATS (2) BLACK VINYL

ILL	PART NO	DESCRIPTION	QTY	REMARKS
1	MUC1520	Front Squab Driver & Outer	2	
2	337838	Interior Squab	2	
3	RTC3764	Trim Clip	16	
4	331709	Shoulder Bolt	4	
5	345213	Rubber Washer	2	
6	349931	Plastic Washer	2	
7	WC108051L	Washer Plain	4	
8	MUC4297	Cushion Assembly Driver & Outer	2	
9	337889	Interior Cushion	2	
	349943	Protective Capping	8	
	349997	Stop-Seat Squab	2	
10	349998	Protective Edging Strip - Seat Frame	4	
	SF106201L	Screw	4	

VG 84B  
FRONT SEAT SLIDE

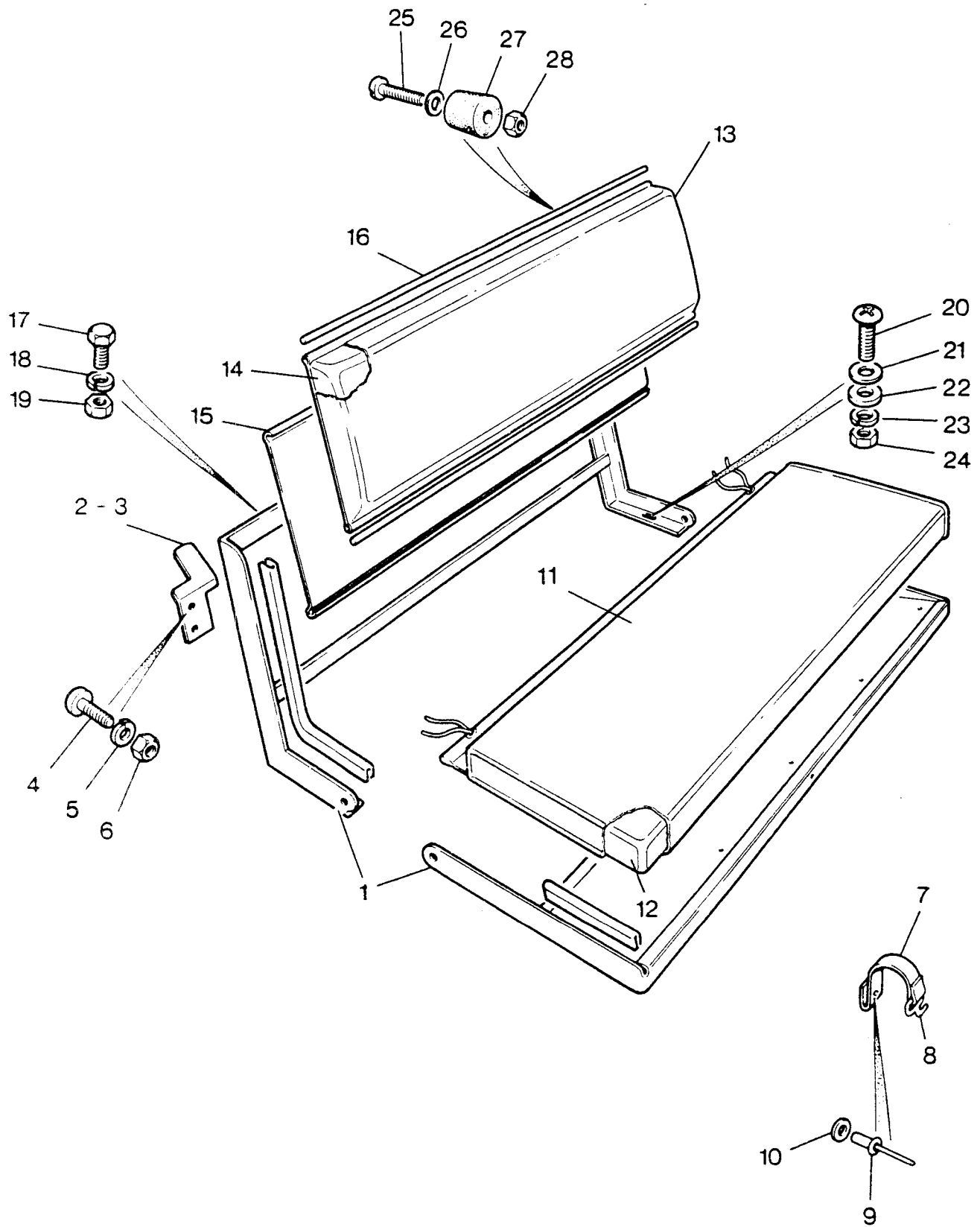


VS 42A A

MODEL LAND ROVER  
BLOCK VS 4246A  
VARIANT VG 84B

BODY - FRONT SEAT SLIDE (2) BLACK VINYL

ILL	PART NO	DESCRIPTION	QTY	REMARKS
1	349996	Adjustable Seat Frame	1	
2	MRC9492	Seat Slide RH With Control RHD	1	
3	MRC9493	Seat Slide LH With Control LHD	1	
4	MRC9481	Seat Slide Plain	1	





BODY - REAR INWARD FACING SEAT (2 SEATER) BLACK VINYL

ILL	PART NO	DESCRIPTION	QTY	REMARKS
1	MTC6448	Rear Seat Frame Assembly	4	
2	MTC6542	Backrest Securing Clip RH	4	
3	MTC6543	Backrest Securing Clip LH	4	
4	SE106164	Screw ) Fixing Securing	16	
5	WL106004L	Washer Spring) Clip to Frame	8	
6	NH106044	Nut )	8	
7	302648	Seat Strap	4	
8	301005	Hook	4	
9	RU612373L	Rivet ) Fixing Seat	16	
10	WC702101L	Washer Plain ) Strap	16	
11	320674	Cushion Assembly Black Vinyl	4	
12	331835	Pad Seat Cushion	4	
13	396739	Backrest Assembly Black Vinyl	4	
14	396696	Pad Backrest	4	
15	301470	Panel Backrest	4	
16	301476	Retaining Rod	4	
17	SH106124	Bolt ) Fixing	20	
18	WL106004L	Washer Spring ) Backrest to	20	
19	NH106044	Nut )	20	
20	SE106201L	Bolt )	8	
21	MRC5528	Washer Plain )Fixing Seat	8	
22	AFU1070	Washer Packing)Frame to	16	
23	WL106001L	Washer Spring )Wheelarch	8	
24	NH106041L	Nut )	8	
25	SE105251L	Bolt	8	
26	WA105001L	Washer Plain	8	
27	304125	Rubber Buffer	8	
28	NH105041L	Nut	8	

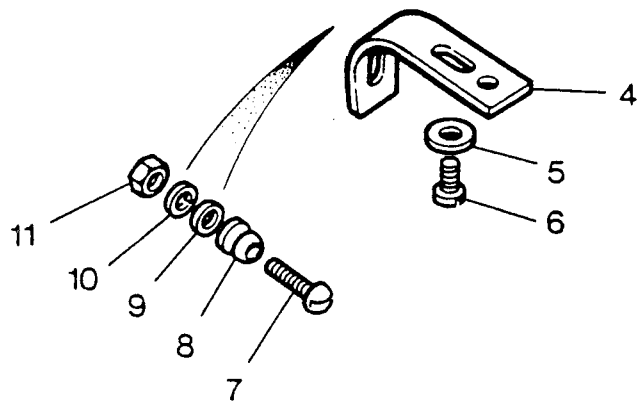
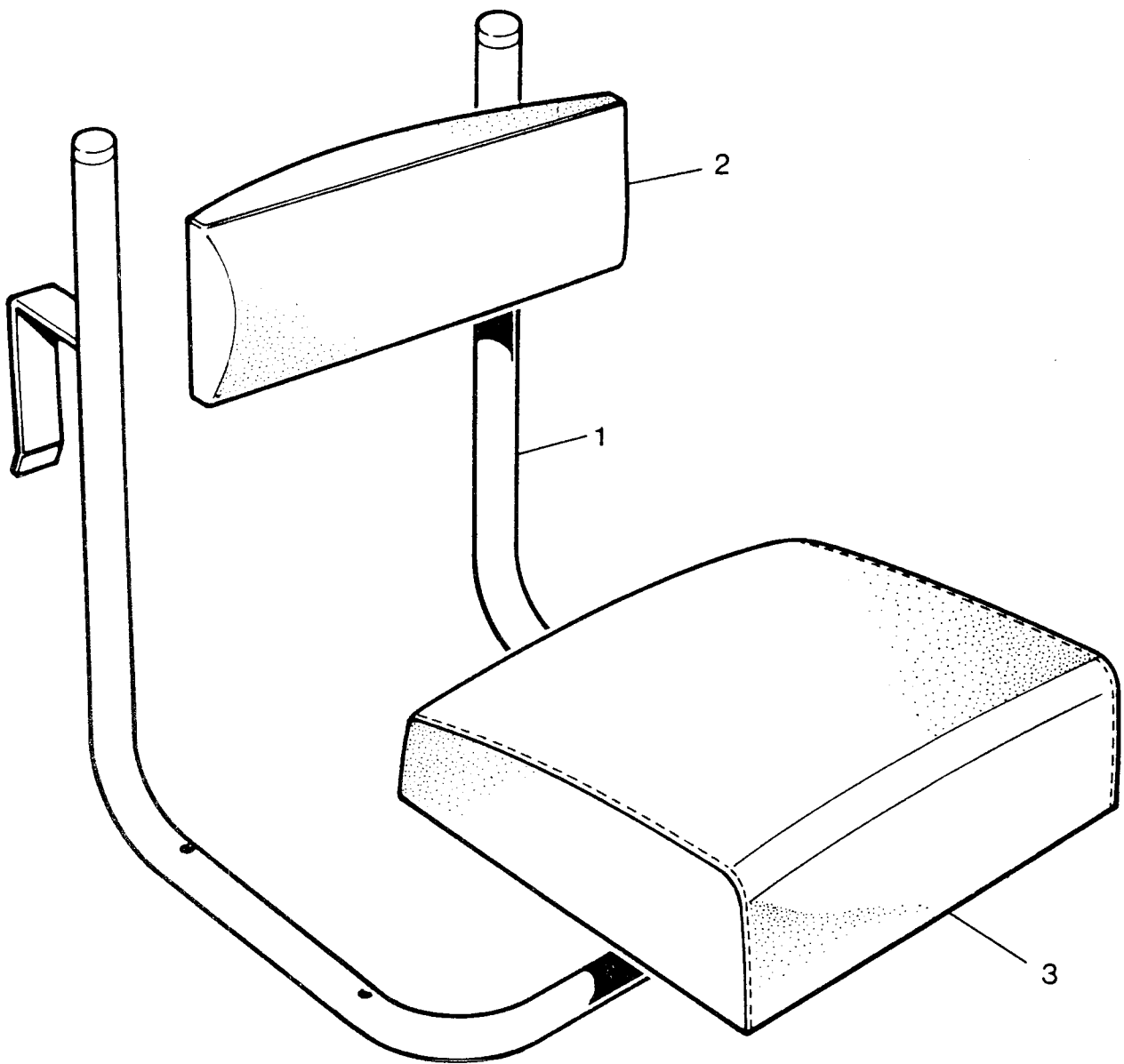
**NO  
ILLUSTRATION**

MODEL LAND ROVER  
BLOCK TF  
VARIANT VG 87D

TRIM - OUTER FRONT SEATS

PART NO	DESCRIPTION	QTY	REMARKS
346410	Tube - Trim Retention	2	

VG 88D  
RADIO OPERATORS SEAT

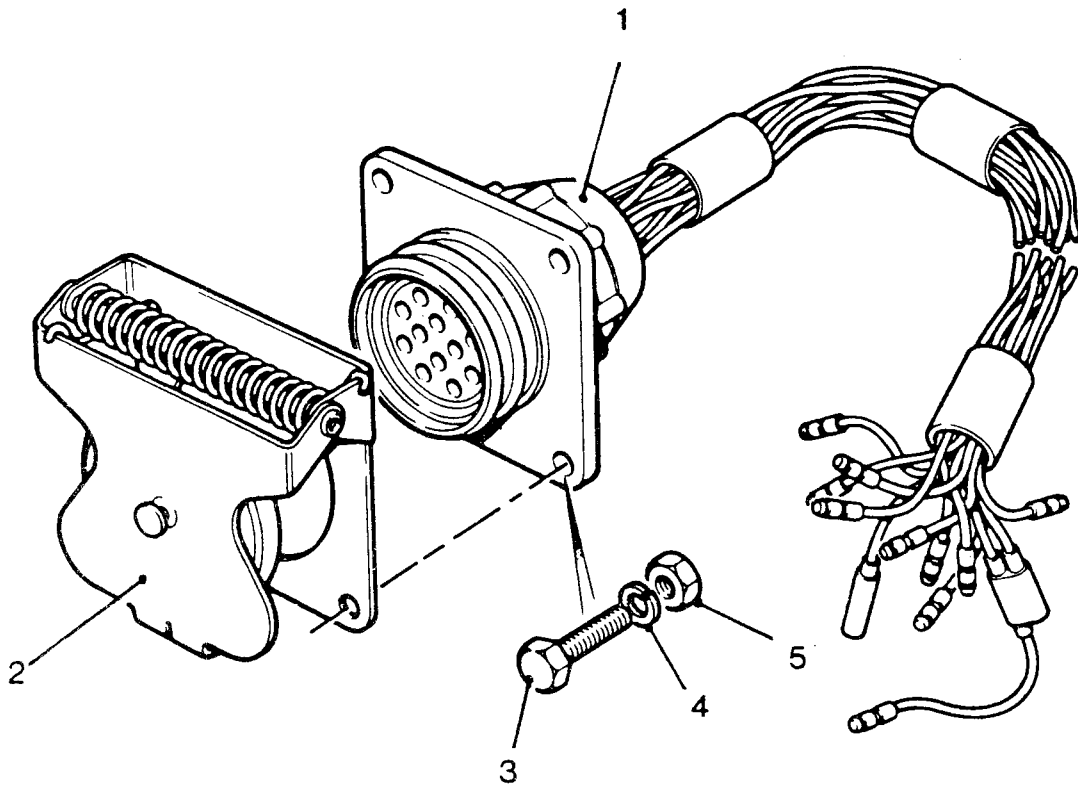


VS 1281

MODEL LAND ROVER  
BLOCK VS 1281  
VARIANT VG 88D

RADIO OPERATOR'S SEAT

ILL	PART NO	DESCRIPTION	QTY	REMARKS
1	RRC3668	Seat, Complete Assembly	2	
2	334929	Backrest (Black)	2	
3	334928	Cushion (Black)	2	
4	MRC1813	Retaining Strap	2	
5	RTC615	Plain Washer	2	
6	SE105251L	Screw	2	
7	78120	Screw	2	
8	348430	Bollard, for Loose Seat	2	
		Retaining Strap	2	
9	RTC615	Plain Washer	2	
10	WM702001L	Spring Washer	2	
11	RTC608	Nut	2	

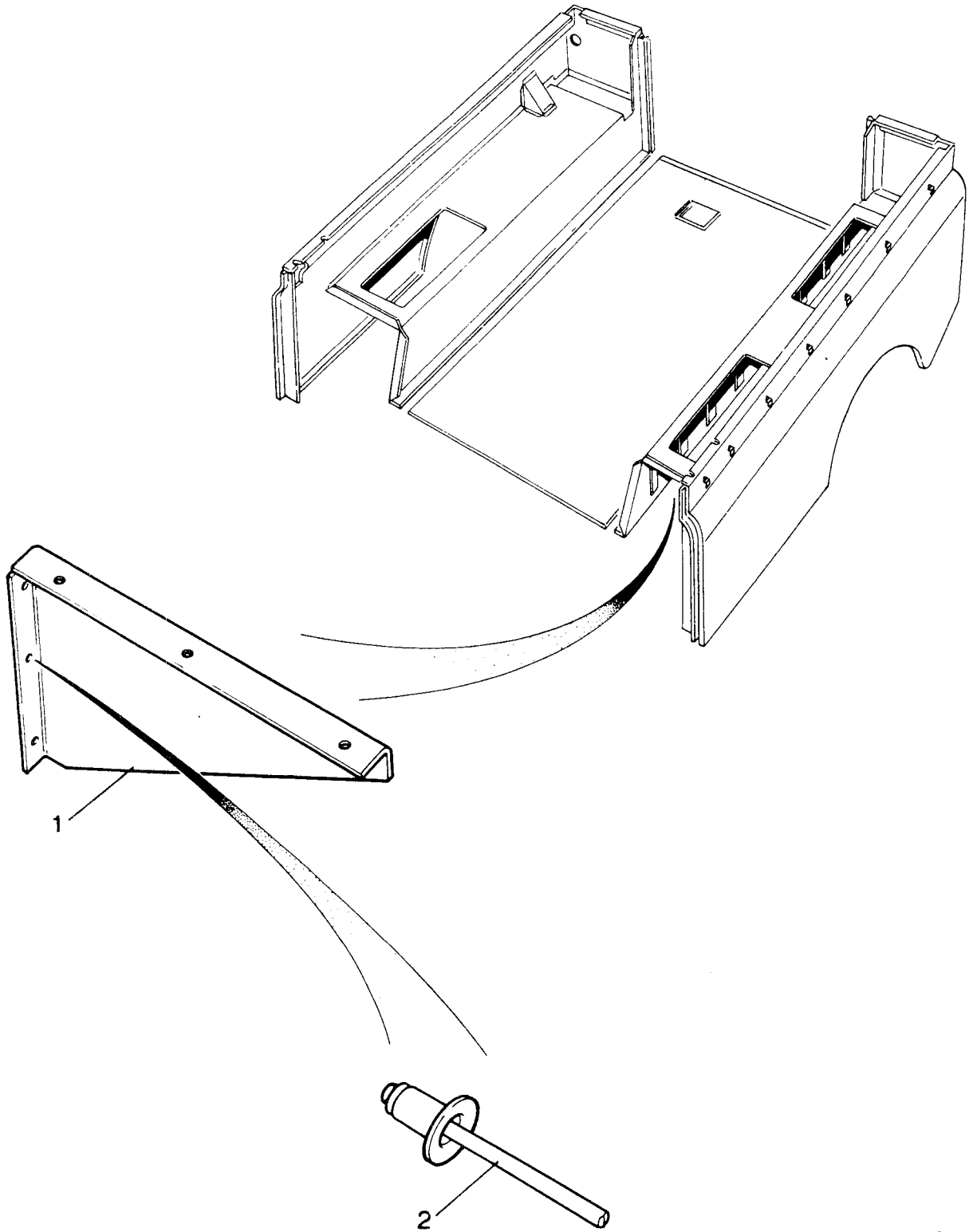


MODEL LAND ROVER  
BLOCK DA 36  
VARIANT VH 01J

ELECTRICAL - NATO SOCKET

ILL	PART NO	DESCRIPTION	QTY	REMARKS
1	PRC3222	Nato Socket C/W Leads	1	
	NRC4967	Mounting Plate	1	
2	551536	Protection Cap-Nato Socket	1	
3	SH106201L	Screw	4	
4	WL106001L	Spring Washer	4	
5	NH106041L	Nut	4	
	SL106121L	Taptite Screw	4	
	555711	Grommet-Nato Socket Lead	1	

VH49A WHEELARCH STIFFENERS



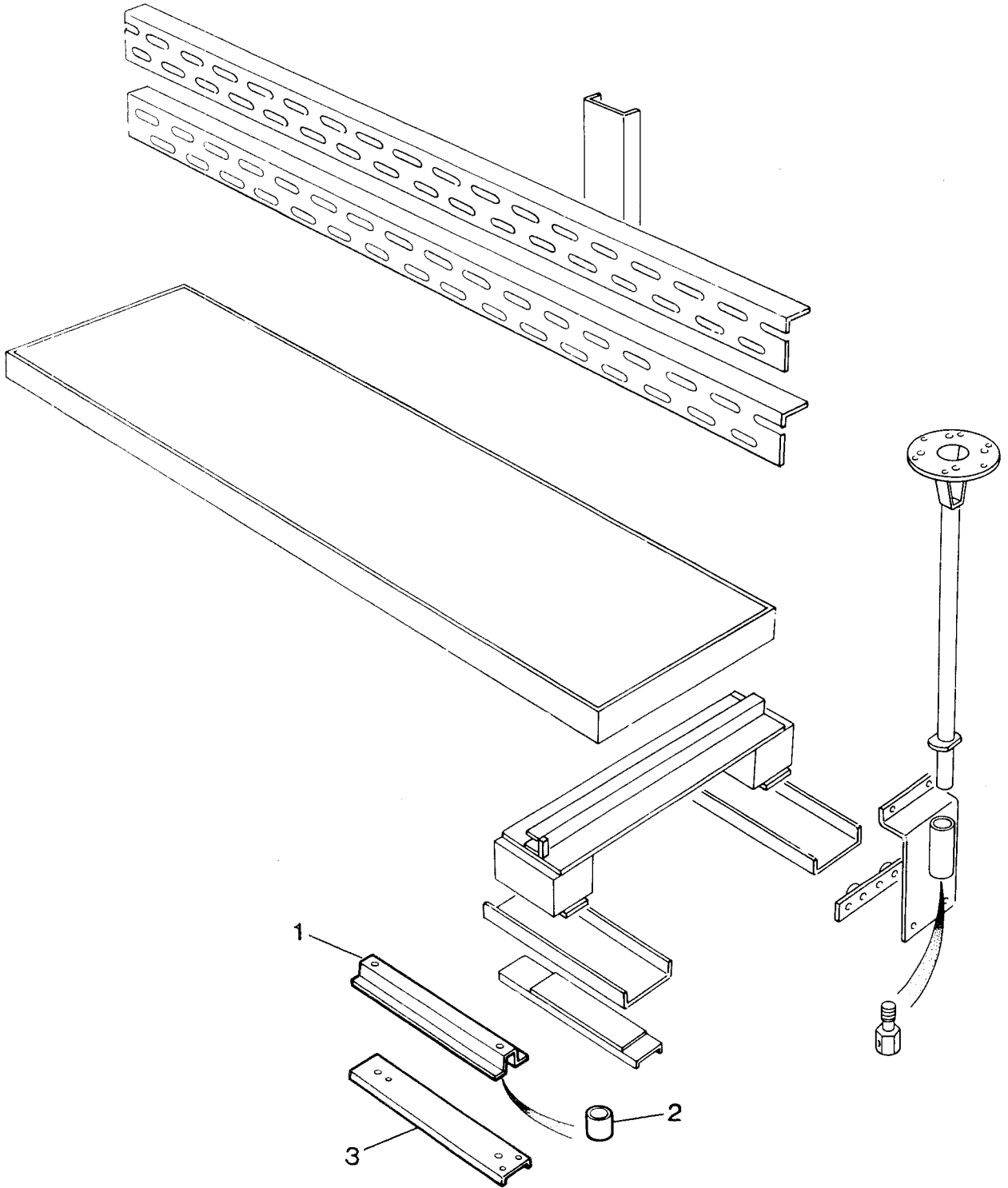
TS 6163



MODEL LAND ROVER  
BLOCK TS 6163  
VARIANT VH 49A

BODY - REAR WHEELARCH STIFFENERS

ILL	PART NO	DESCRIPTION	QTY	REMARKS
1	RRC3548	Wheelarch Stiffener	6	
2	RU612183L	Blind Rivet	56	



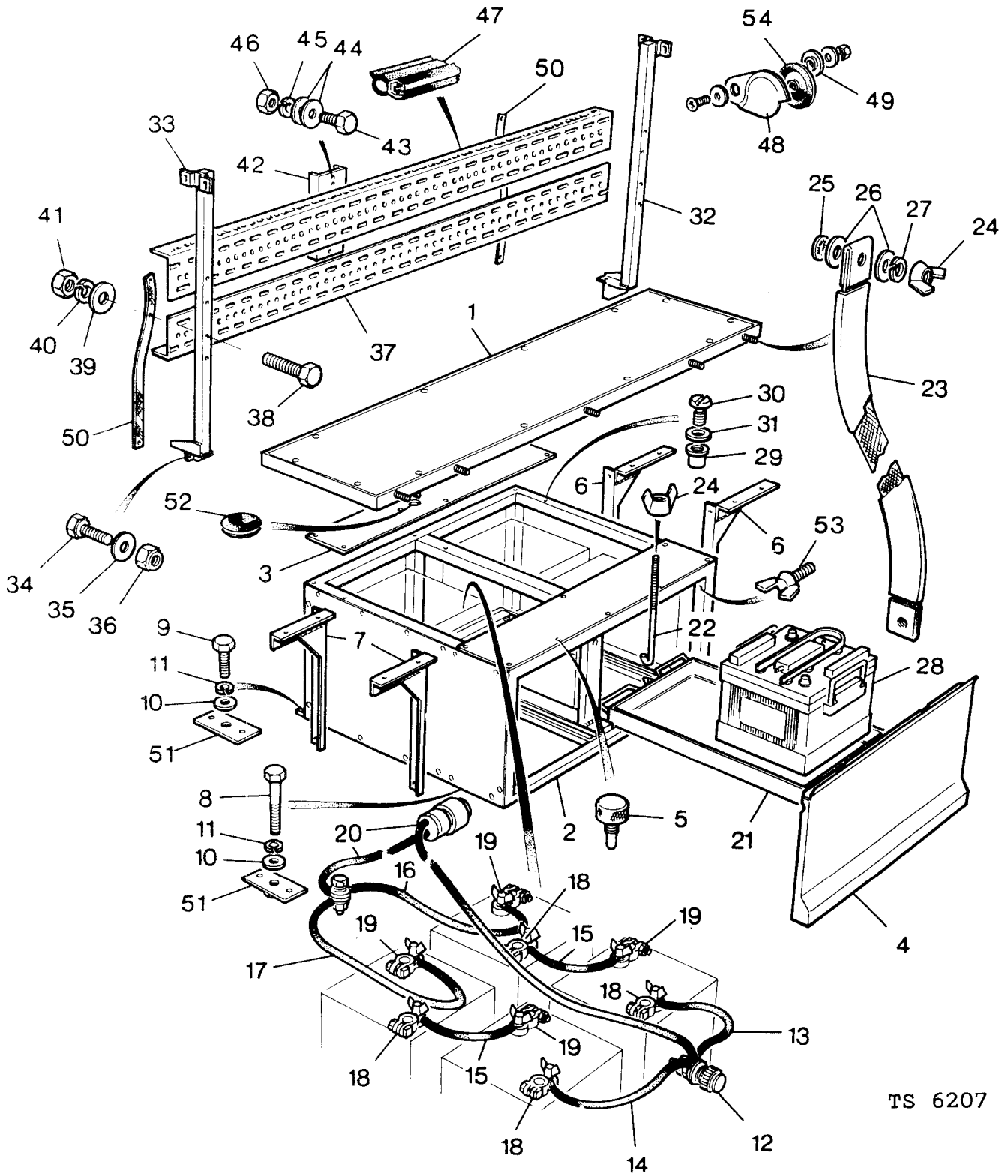
TS 6198

MODEL LAND ROVER  
BLOCK TS 6198  
VARIANT VW 11A

BODY - RADIO EQUIPMENT SUPPORTS

ILL	PART NO	DESCRIPTION	QTY	REMARKS
1	334776	Stiffener Wheelarch Box	6	
2	334897	Distance Tube	12	
	BH108081L	Bolt )Fixing	12	
	WA108051L	Washer Plain )Stiffener to	12	
	WL108001L	Washer Spring)Wheelarch Top	12	
	NH108041L	Nut M8 )	12	
3	336517	Stiffener Radio Front	2	
	336518	Stiffener Radio Intermediate RH	1	
	336519	Stiffener Radio Intermediate LH	1	
	RU612183	Pop Rivet Stiffeners to Wheelarch Box	16	

VW12A RADIO TABLE



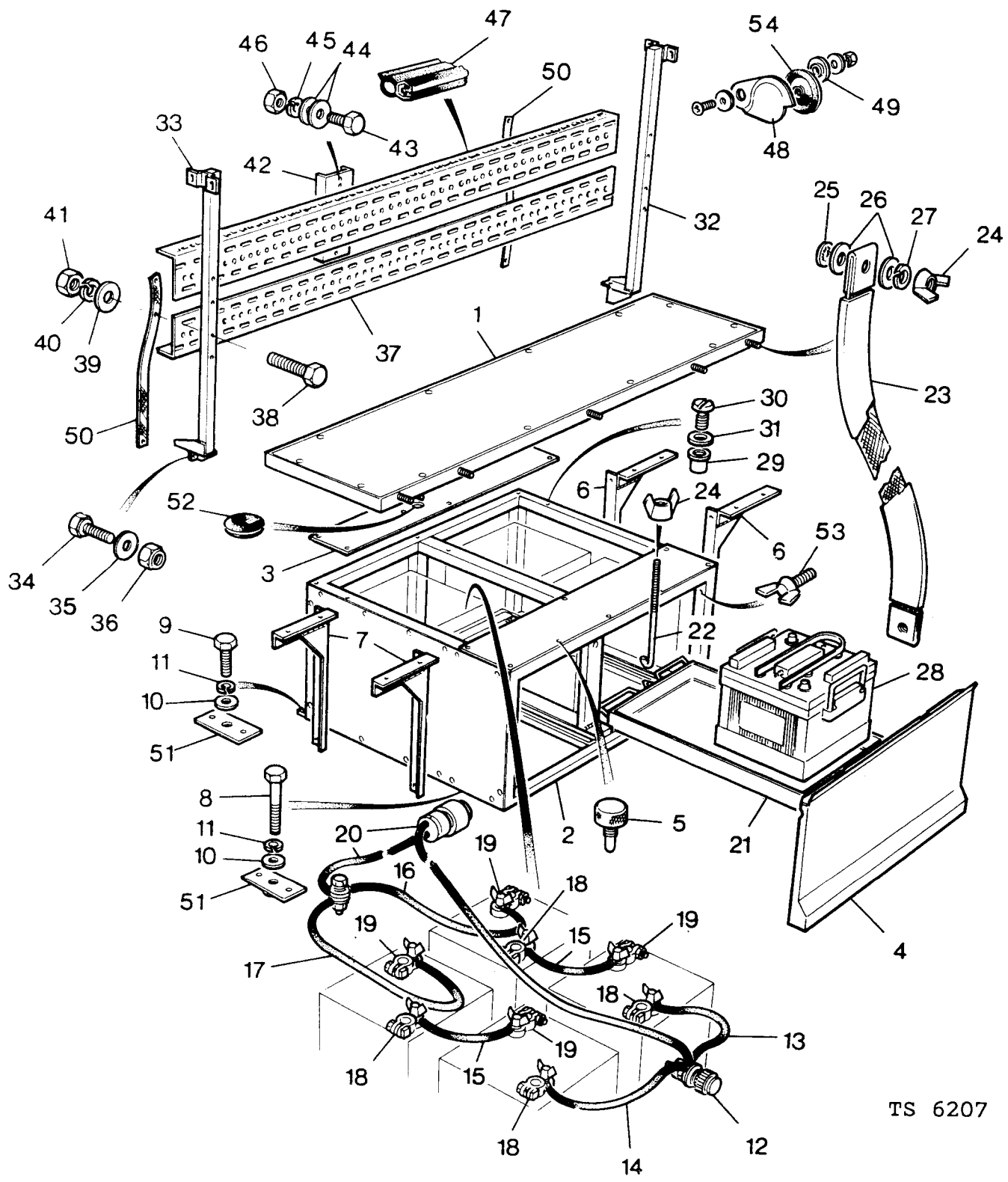
TS 6207

MODEL LAND ROVER  
 BLOCK TS 6207  
 VARIANT VW 12A

BODY - RADIO EQUIPMENT, TABLE & BATTERY BOX

ILL	PART NO	DESCRIPTION	QTY	REMARKS
	RRC3545	Radio Table Assembly Complete with Battery Stowage	1	
1	RRC2662	Frame Radio Table	1	
2	RRC3544	Battery Box Assembly	1	
3	RRC2665	Battery Box-Closing Panel Top Rear	1	
4	RRC2615	Door Battery Box	1	
5	RRC2742	Catch-Battery Box Door	2	
6	RRC3690	Reinforcement Panel Battery Box to Radio Table RH	2	
7	RRC3691	Reinforcement Panel Battery Box to Radio Table LH	2	
8	BH108181L	Bolt Fixing Battery Box to Floor Front	2	
9	BH108251L	Bolt Fixing Battery Box to Floor Rear	2	
10	WA108051L	Washer Plain)Battery Box to	4	
11	WL108001L	Washer Spring)Floor	4	
12	PRC3460	Terminal Vehicles (POS) Stowage	1	
13	PRC3960	Lead-Battery POS to Terminal RH	1	
14	PRC3961	Lead-Battery POS to Terminal LH	1	
15	552770	Battery Link Lead	2	
16	PRC3957	Lead Neg, Battery to Bolt Terminal RH	1	
17	PRC3958	Lead Neg, Battery to Bolt Terminal LH	1	
18	531587	Battery Lug POS	2	

VW12A RADIO TABLE



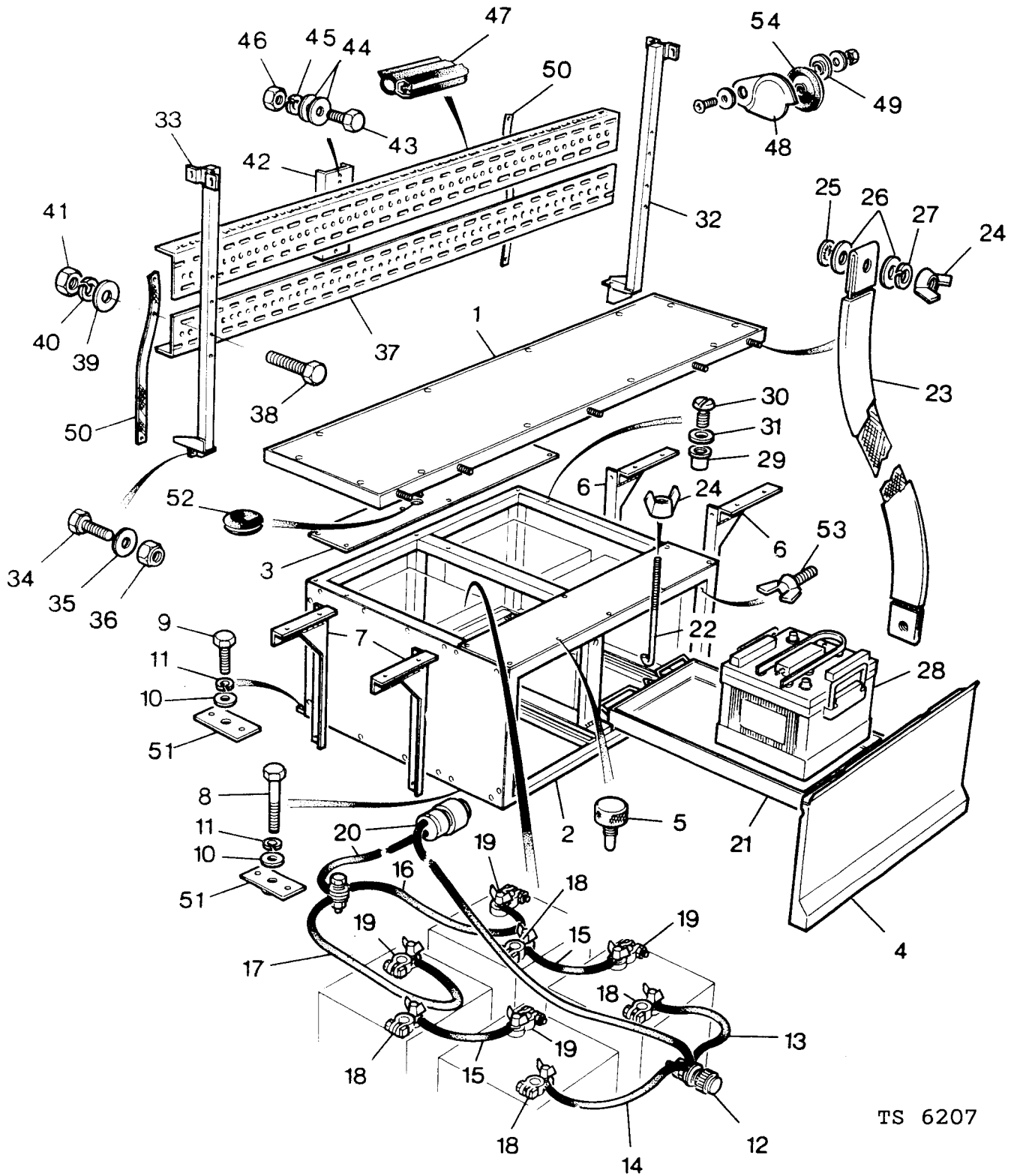
TS 6207

MODEL LAND ROVER  
 BLOCK TS 6207  
 VARIANT VW 12A

BODY - RADIO EQUIPMENT, TABLE & BATTERY BOX CONTINUED

ILL	PART NO	DESCRIPTION	QTY	REMARKS
19	531588	Battery Lug NEG	2	
20	PRC5545	Cable Assembly-Terminal Box to Radio Table	1	
21	RRC1994	Battery Tray	2	
22	RRC2258	J Bolt-Battery	4	
23	MRC8499	Earth Braid	2	
24	NA106041	Wing Nut (Fixing Braid & J Bolt)	8	
25	WE106001	Washer Shakeproof)Fixing Earth	5	
26	WC106041	Washer Plain )Braid	18	
27	WL106001	Washer Spring )	20	
28	606635	Battery Radio	2	
29	NN105021	Nutsert ) Fixing Closing	6	
30	SP105121	Screw ) Panel Top Rear	6	
31	WC105001L	Washer Plain)	6	

VW12A RADIO TABLE



TS 6207

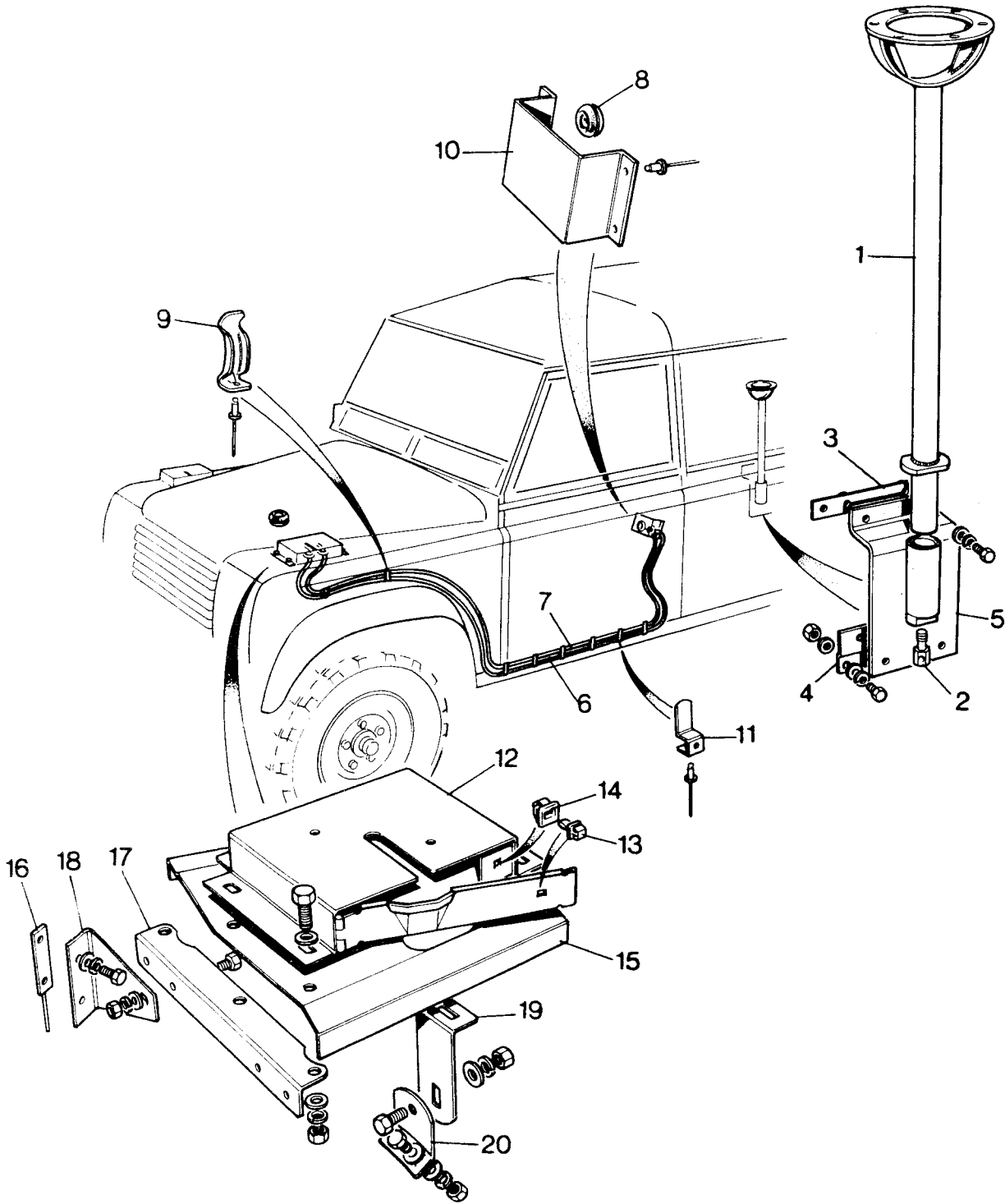


MODEL LAND ROVER  
 BLOCK TS 6207  
 VARIANT VW 12A

BODY - RADIO EQUIPMENT RACK

ILL	PART NO	DESCRIPTION	QTY	REMARKS
32	RRC3636	Support, Radio Rack RH	1	
33	RRC3637	Support, Radio Rack LH	1	
34	SH106161L	Bolt )Fixing Radio	8	
35	WA106041L	Washer Plain )Support Upper	8	
36	NY106041L	Nyloc Nut )And Lower	8	
37	RRC3573	Perforated Angle Equipment Rack	2	
38	SH108351L	Bolt )	8	
39	WA108051L	Washer Plain )Fixing Angle	8	
40	WL108051L	Washer Spring)	8	
41	NH108041L	Nut )	8	
42	396112	Channel Equipment Rack	1	
43	SH106201L	Bolt )Fixing Channel	12	
44	MRC5525	Washer Plain )to Equipment	6	
45	WL106001L	Washer Spring)Rack	6	
46	NH106041L	Nut )	12	
47	MWC2567	Edge Protection	1	As Required
48	RRC3634	Cover-Grommet	2	
49	RRC3664	Spacer-Grommet Cover	2	
50	PRC5851	Bonding Lead	2	
51	RRC2128	Nut Plate	4	
52	269257	Grommet	1	
53	RRC2012	Wing Stud	2	
54	236390	Grommet-Aerial Lead Outlet	2	

VW13E AERIAL LEADS



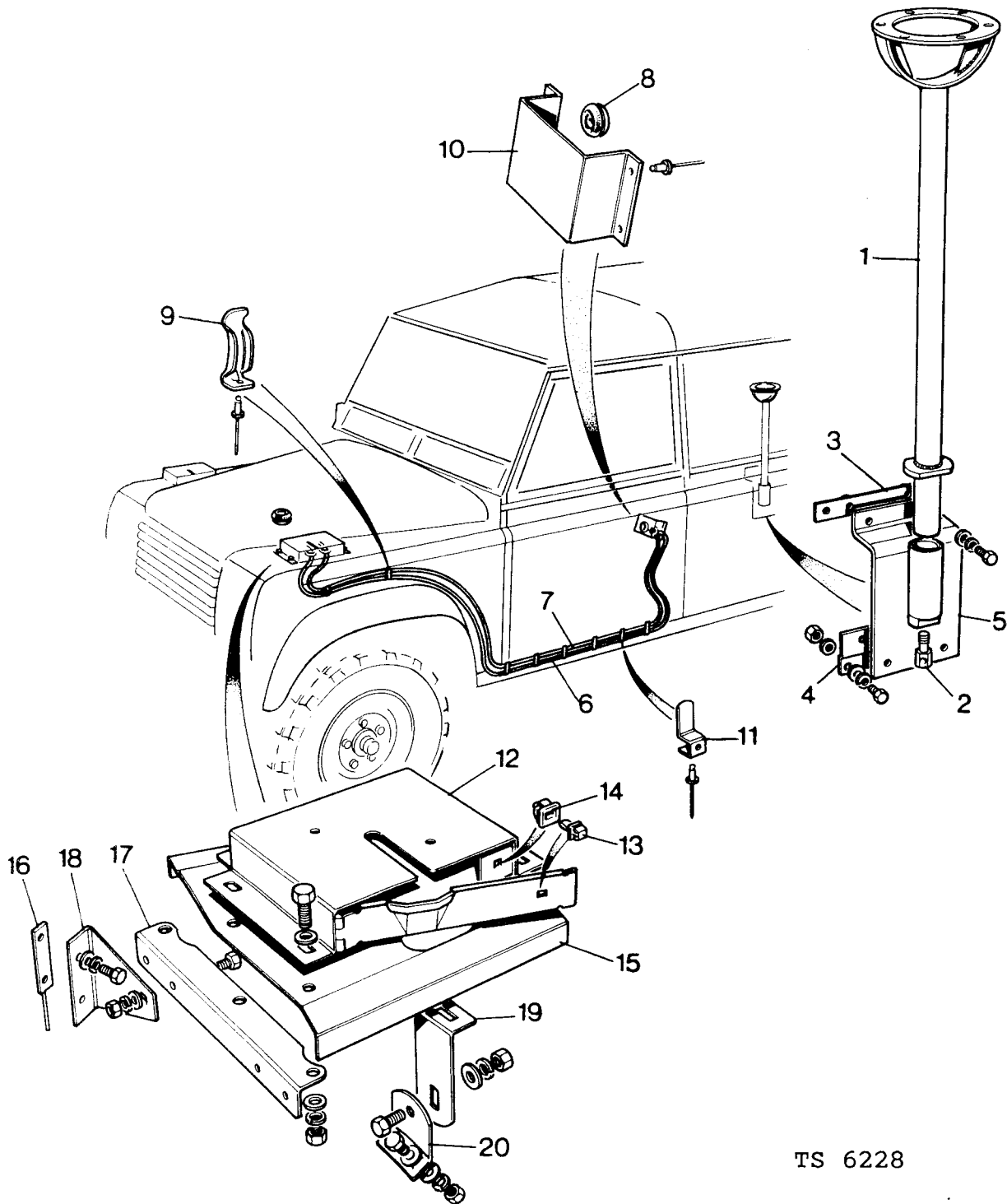
TS 6228

MODEL LAND ROVER  
 BLOCK TS 6228  
 VARIANT VW 13E

BODY - CLANSMAN AERIAL LEADS

ILL	PART NO	DESCRIPTION	QTY	REMARKS
1	MRC8491	Aerial Support Column	2	
2	334830	Securing Pin	2	
3	MRC9423	Securing Plate	2	
4	MTC4049	Securing Plate	2	
5	MTC5081	Support Bracket	2	
	SH106251L	Bolt Fixing Support Bracket	8	
	SH106161L	Bolt Fixing Support Bracket	4	
	WC106041L	Washer Plain Support Bracket	16	
	WL106001L	Washer Spring	12	
	NH106041L	Nut	4	
6	PRC1824	Aerial Lead (Control) (T.U.A.A.M.)	2	
7	PRC1825	Aerial Lead (Radio)	2	
8	555711	Grommet Aerial Lead	8	
9	AFU1190	Clip Aerial Lead	4	
	RU608183L	Rivet	16	
10	MRC4522	Stowage Box	2	
	78248	Rivet	8	
11	MRC9043	Clip-Aerial Lead	12	
	RU608183L	Rivet	24	
12	RRC3217	Mounting Bracket A.T.U. LH	1	
	RRC3216	Mounting Bracket A.T.U. RH	1	
13	346139	Striker	2	
14	AGU1023	Latch	2	

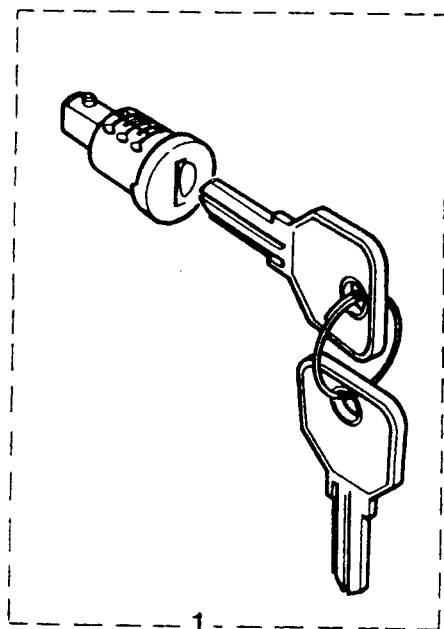
VW13E AERIAL LEADS



TS 6228

BODY - CLANSMAN AERIAL LEADS - CONTINUED

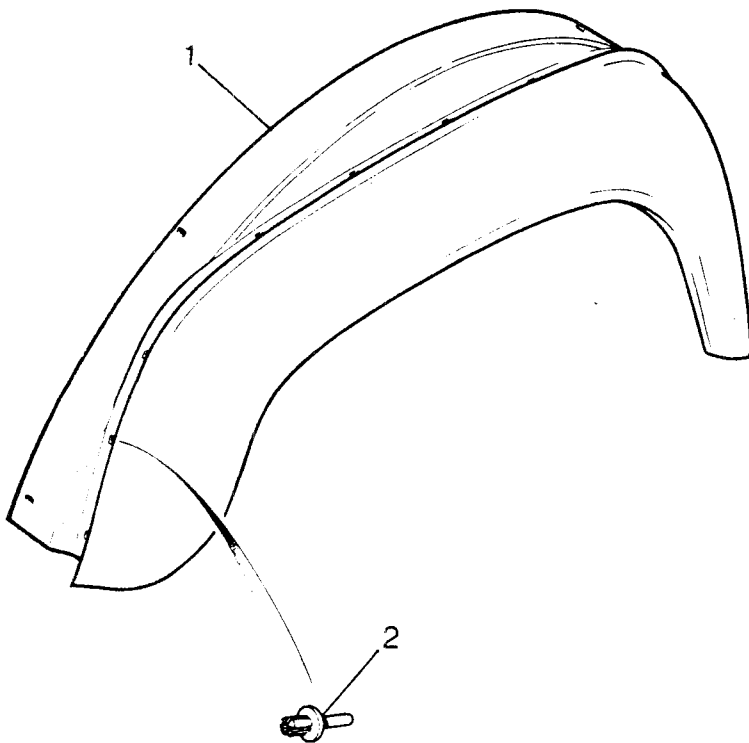
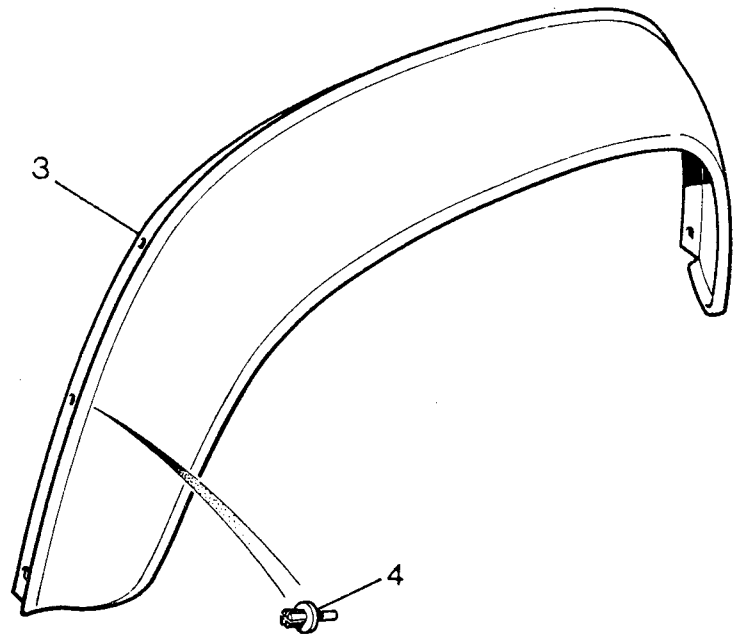
ILL	PART NO	DESCRIPTION	QTY	REMARKS
15	RRC3741	Reinforcement A.T.U. LH	1	
	RRC3740	Reinforcement A.T.U. RH	1	
	SH108201L	Bolt-Fixing Mounting Bracket	12	
	WC108051L	Washer Plain-Fixing Mounting Bracket	40	
	WL108001	Washer Spring-Fixing Mounting Bracket	12	
	NH108041L	Nut-Fixing Mounting Bracket	12	
16	PRC3761	Nut Plate	2	
17	RRC3763	Support Angle	2	
18	RRC3764	Gusset Support RH	1	
	RRC3765	Gusset Support LH	1	
	SH106121L	Bolt-Fixing Support Angle	12	
	WA106041L	Washer Plain-Fixing Support Angle	12	
	WL106001L	Washer Spring-Fixing Support Angle	12	
	NH106041L	Nut-Fixing Support Angle	12	
19	RRC3766	Bracket Support	2	
20	RRC3767	Bracket Support	2	
	SH108201L	Bolt-Fixing Support Bracket	2	
	WC108051L	Washer Plain-Fixing Support Bracket	4	
	WL108001L	Washer Spring-Fixing Support Bracket	2	
	NH108041L	Nut-Fixing Support Bracket	2	
	SH106161L	Bolt-Fixing Support Bracket	2	
	WA106041L	Washer Plain-Fixing Support Bracket	4	
	WL106001L	Washer Spring-Fixing Support Bracket	2	
	NH106041L	Nut Fixing Support Bracket	2	



MODEL LAND ROVER  
BLOCK TS 5242  
VARIANT VW 39A/B/C/D/  
E/F/G

BODY - BARREL AND KEY SETS FOR LOCKS

ILL	PART NO	DESCRIPTION	QTY	REMARKS
1	RTC3022	1 Barrel And 2 Keys	1	
	MTC6503	2 Barrels And 2 Keys	1	
	MTC6504	3 Barrels And 2 Keys	1	VW 39A
	MTC6505	4 Barrels And 2 Keys	1	VW 39B
	MTC6506	5 Barrels And 2 Keys	1	VW 39C
	MTC6507	6 Barrels And 2 Keys	1	VW 39D
	MTC6508	7 Barrels And 2 Keys	1	VW 39E
	MTC6509	8 Barrels And 2 Keys	1	VW 39F
	CZK3438L	Key Blank	1	VW 39G
				A/R



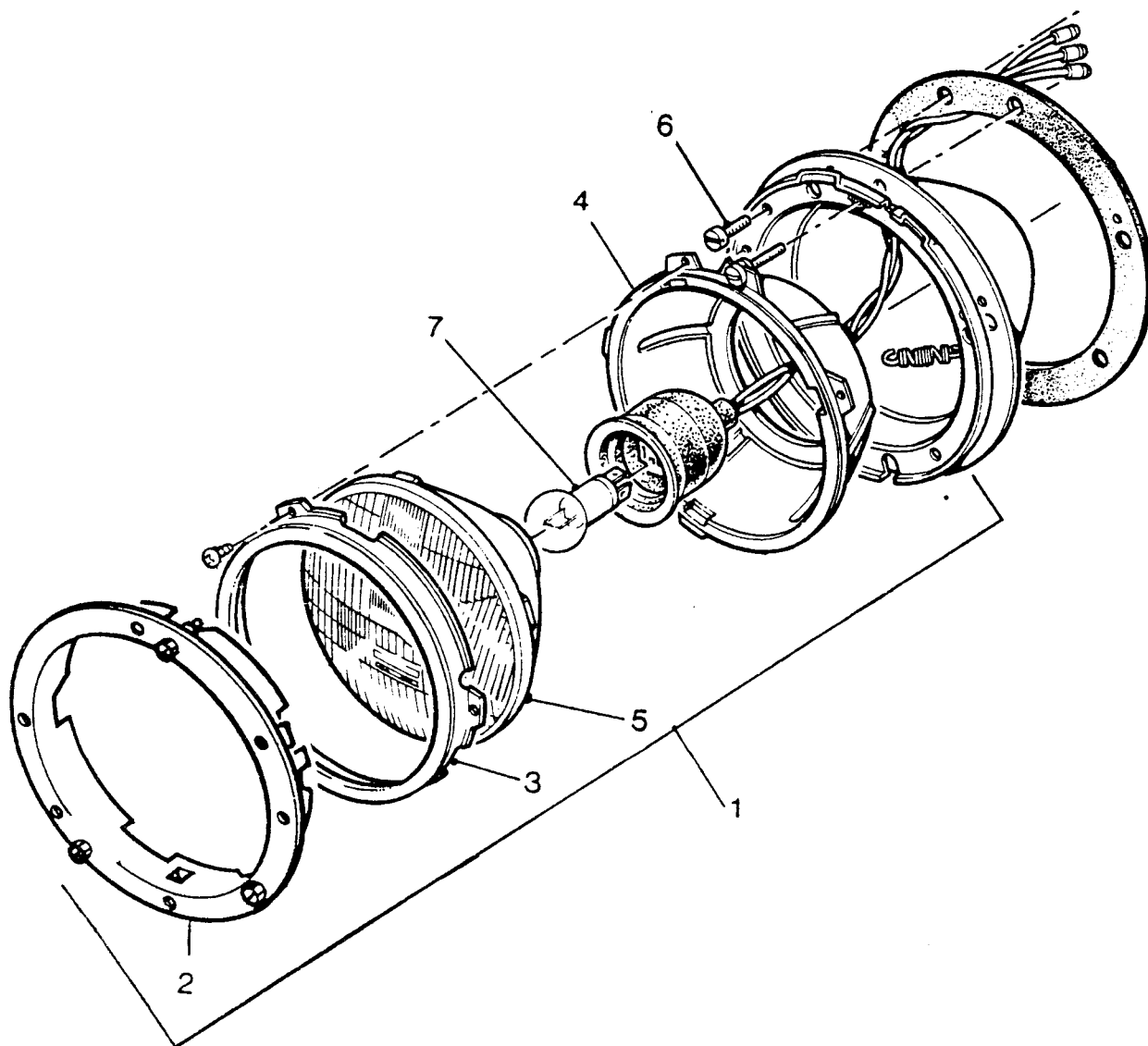


MODEL LAND ROVER  
BLOCK TS 5815  
VARIANT VW 57Z

BODY - EYEBROWS (BLACK)

ILL	PART NO	DESCRIPTION	QTY	REMARKS
1	MRC9377	Eyebrow - L.H. Front Wing	1	
	MRC9378	Eyebrow - R.H. Front Wing	1	
2	AFU1075	Plastic Rivet	32	
3	MRC8420	Eyebrow - Rear Wing	2	
4	AFU1075	Plastic Rivet	24	

VX 43D  
HEADLAMP



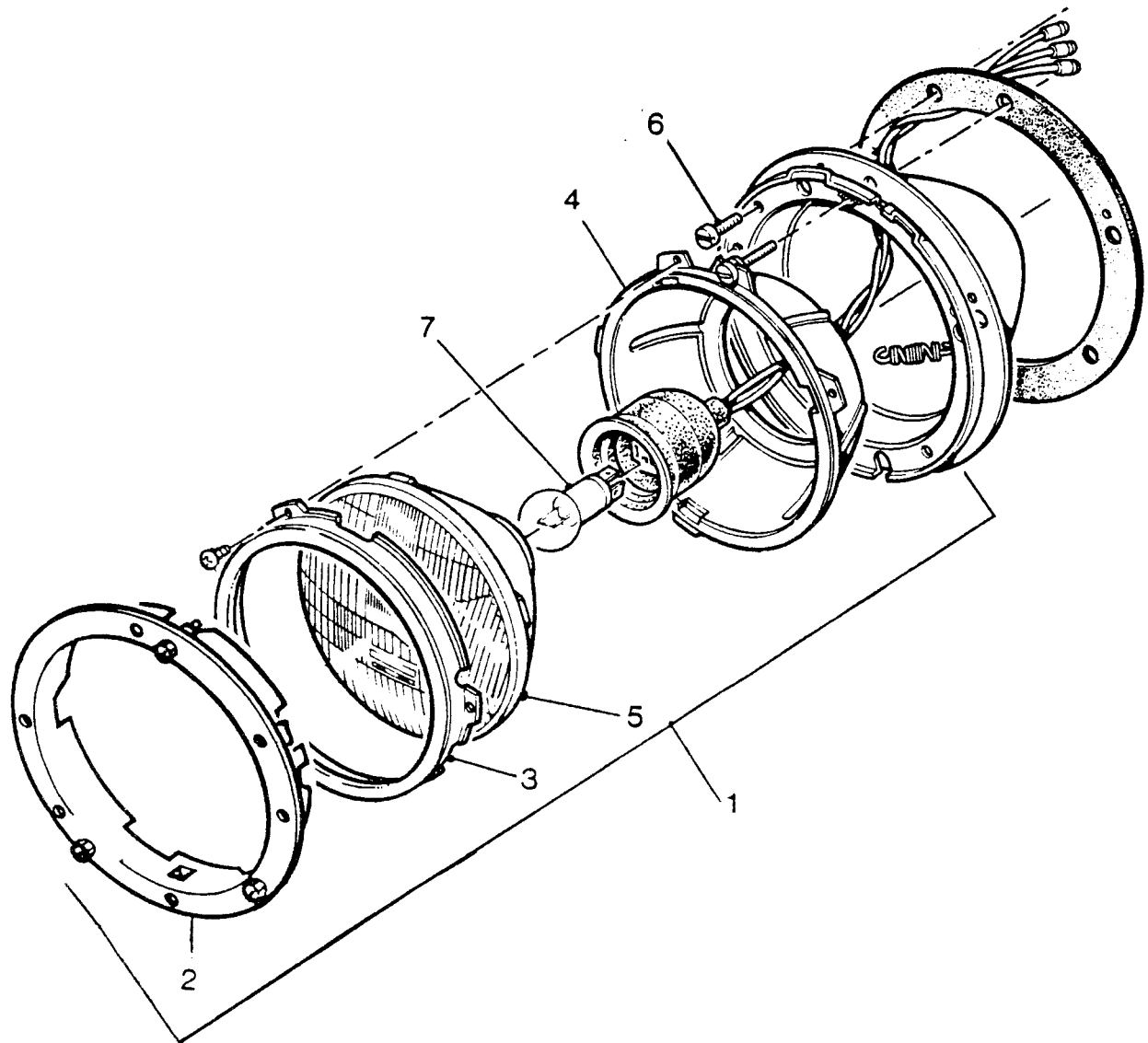
TS6136

MODEL LAND ROVER  
BLOCK TS 6136  
VARIANT VX 43D

ELECTRICAL - HEADLAMP (R.H.D.)

ILL	PART NO	DESCRIPTION	QTY	REMARKS
1	AEU2466	Headlamp Assembly (Less Bulb)	2	
2	600842	Rim, Mask	2	
3	600843	Plate, Retaining Light Unit	2	
4	17H5205	Rim, Seating Light Unit	2	
5	AEU2591	Light Unit	2	
6	600851	Screws, Trimmer	6	
7	505197	Bulb	2	

VX 43K  
HEADLAMP



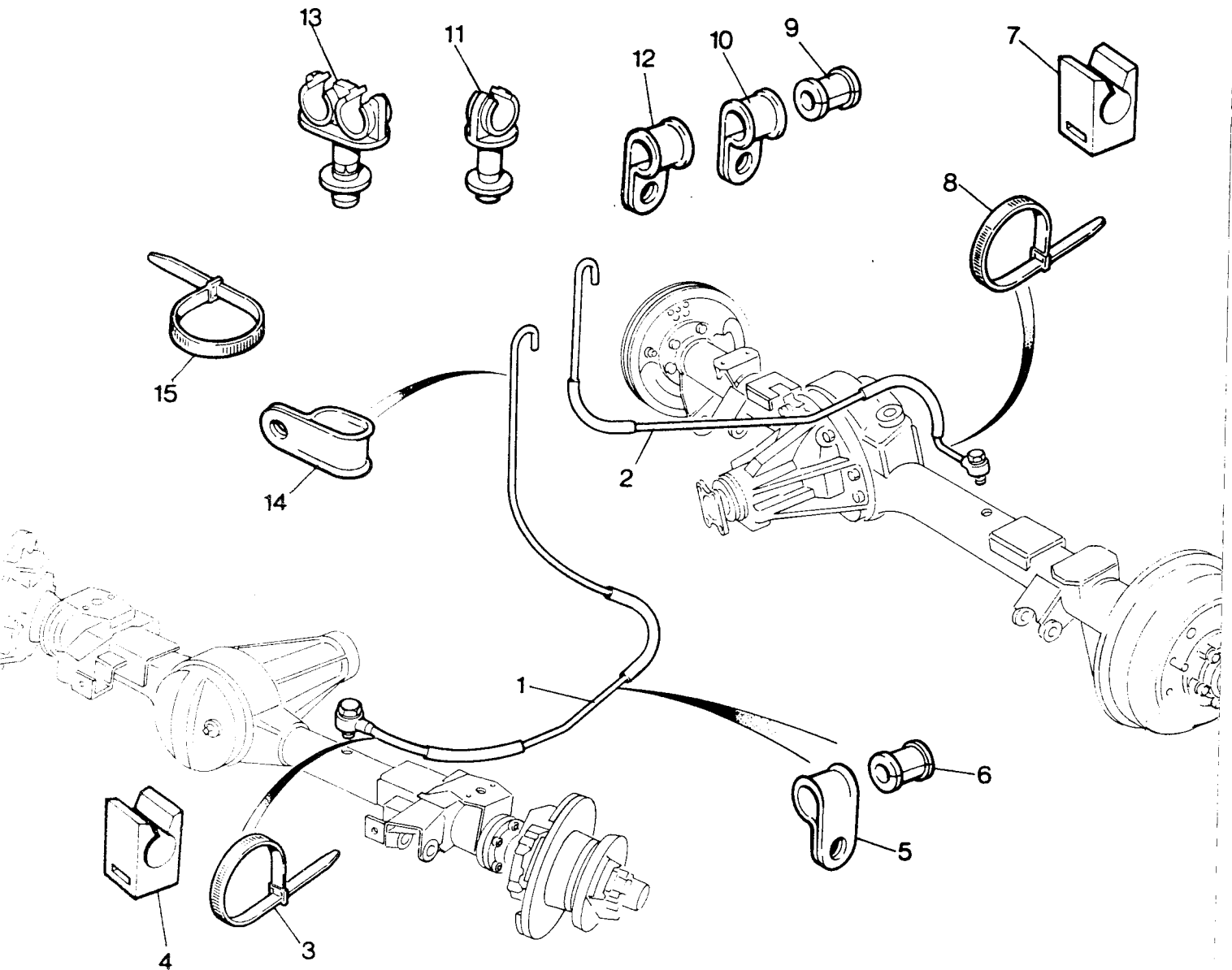
TS6137

MODEL LAND ROVER  
BLOCK TS 6137  
VARIANT VX 43K

ELECTRICAL - HEADLAMP (L.H.D.)

ILL	PART NO	DESCRIPTION	QTY	REMARKS
1	AEU2465	Headlamp Assembly (Less Bulb)	2	
2	600842	Rim, Mask	2	
3	600843	Plate, Retaining Light Unit	2	
4	17H5205	Rim, Seating Light Unit	2	
5	RTC3684	Light Unit	2	
6	600851	Screws, Trimmer	6	
7	505197	Bulb	2	

VZ32A AXLE BREATHERS



TS 5818

MODEL LAND ROVER  
 BLOCK TS 5818  
 VARIANT VZ 32A

REMOTE BREATHERS - AXLES

ILL	PART NO	DESCRIPTION	QTY	REMARKS
1	FRC4718	Remote Breather-Front Axle	1	
2	FRC4719	Remote Breather-Rear Axle	1	
3	568680	Cable Tie )	6	
4	NRC9246	Clip )Fixing Front	4	
5	589806	Clip )Breather	1	
6	6860L	Grommet )	1	
7	NRC9246	Clip )	3	
8	568680	Cable Tie )	4	
9	6860L	Grommet )Fixing Rear	2	
10	589806	'P' Clip )Breather	3	
11	78123	Clip )	2	
12	50637	'P' Clip )	1	
13	AFU1342	Double Clip )Fixing Front	1	
14	622324	'P' Clip )& Rear	1	
15	C43640	Cable Tie )Brathers	1	

# NUMERICAL INDEX

PART NO	PAGE	PART NO	PAGE	PART NO	PAGE
10211	79	330553	25	336350	101
10211	81	330578	25	336351	100
13H7343	51	330579	25	336351	101
17H5205	124	330615	17	336352	100
17H5205	125	330616	16	336352	101
18G8619L	71	330699	25	336517	118
18G8953L	45	330717	102	336518	118
232044	96	330896	25	336519	118
232046	92	331221	82	337838	111
233244	88	331222	82	337889	111
234532	63	331317	82	337981	100
236257	96	331709	111	337981	101
2393	38	331835	113	338029	47
244487	96	332146	41	338554	44
244488	96	332147	35	338741	44
247665	96	332201	44	345213	111
250055	100	332215	43	345699	25
250055	101	332293	44	345927	32
256222	100	332445	40	346139	121
257450	37	332446	40	346341	37
264590	80	332484	30	346410	114
264591	79	332485	30	346878	32
264591	80	332564	36	346878	38
264591	89	332582	12	346894	53
268616	81	332756	36	346924	51
276484	63	332942	35	346928	32
300693	103	333032	34	346976	53
301005	113	333033	34	347151	30
301343	82	333034	34	347151	35
301470	113	333035	34	347362	32
301476	113	333036	37	347363	32
302648	113	333203	36	347369	32
303975	40	333490	43	347586	51
304125	113	334610	43	347939	51
304301	25	334611	43	348430	9
304797	82	334776	118	348430	115
305232	35	334830	121	348797	82
306287	43	334897	118	348931	9
306564	38	334928	115	348943	9
308792	101	334929	115	349931	38
320674	113	335617	101	349931	111
330122	33	335618	101	349943	111
330123	33	336334	100	349996	112
330145	14	336345	100	349997	111
330237	13	336346	100	37H3694L	86
330238	13	336346	101	37H3694L	87
330245	13	336347	100	37H770L	93
330271	11	336348	100	37H7920	93
330315	13	336349	100	37H8119L	93
330316	13	336350	100	3830L	37



# NUMERICAL INDEX

PART NO	PAGE	PART NO	PAGE	PART NO	PAGE
3830L	44	564816	47	AB608041L	53
395111	101	566902	51	AB608041L	74
395143	25	568680	126	AB608048L	106
395481	32	568788	71	AB608048L	108
395531	33	569291	47	AB608065L	49
395532	33	579114	74	AB610041L	106
395538	32	589806	126	AC608041L	49
395586	43	592324	45	ADU1221L	31
395587	43	594637	98	AEU1044	45
395829	53	600842	124	AEU1045	45
395830	53	600842	125	AEU1374	79
396112	120	600843	124	AEU1375	79
396696	113	600843	125	AEU1532	71
396739	113	600851	124	AEU1706	71
500918	74	600851	125	AEU1710	71
50446	47	605011	93	AEU1891	45
505197	124	606635	119	AEU1942	71
505197	125	612253	13	AEU2465	125
50637	126	61K738	47	AEU2466	124
513639	96	622324	126	AEU2507	71
517689	93	6395	65	AEU2591	124
517706	93	6860L	126	AEU2741	45
520160	86	72628	91	AEU3015	45
520160	87	77701	81	AEU3076	71
522932	105	78120	115	AEU4110	88
522932	107	78321	40	AFU1069	18
522940	93	78832	43	AFU1070	113
531587	119	79123	126	AFU1075	123
531588	119	79283	12	AFU1080	43
531689	106	79289	12	AFU1080L	24
531689	108	90502209	96	AFU1080L	35
532002	72	90613915	105	AFU1190	121
536126	81	90613915	107	AFU1256	36
538038	65	AAP817	50	AFU1259	30
538039	65	AAP876	51	AFU1342	126
549229	63	AAP890	51	AFU2627	47
551536	116	AAU1079	80	AFU2637	31
552632	91	AAU7897	81	AFU4162	24
552633	91	AAU7965	45	AGU1023	121
552647	75	AAU9902	93	AJ608041L	49
552648	75	AAU9903	93	AK610021L	15
552770	119	AB606031L	31	AR606041L	89
555711	116	AB606031L	32	AR610041L	108
555711	121	AB606031L	34	AR610051L	15
562481	106	AB606031L	82	ATU1014	88
562481	108	AB606031L	91	BAU1825	71
562748	93	AB606041L	14	BAU2193	71
564455	96	AB606041L	36	BAU2195	71
564456	96	AB606051L	82	BH106111L	40
564813	47	AB608031L	17	BH108081L	118

# NUMERICAL INDEX

PART NO	PAGE	PART NO	PAGE	PART NO	PAGE
BH108111L	65	ETC4058	65	GD110401	32
BH108121L	65	ETC4063	65	GG108251L	47
BH108131L	65	ETC4105	66	MM105301	21
BH110141L	20	ETC4122	65	MRC1525	53
BH110181L	29	ETC4124	65	MRC1813	115
BH110201L	104	ETC4154	65	MRC1980	32
BH110281L	10	ETC4390	66	MRC1980	37
BH112151L	70	ETC4420	65	MRC2178	32
BH112241L	28	ETC4630	65	MRC2418	49
BH112241L	70	ETC4678	105	MRC2481	18
BH112261L	70	ETC4678	107	MRC2762	32
BHA4790L	86	ETC4686	105	MRC3037	32
BHA4790L	87	ETC4686	107	MRC3038	32
C37222L	71	ETC4785	92	MRC3205	21
C43640	126	ETC4873	65	MRC4029	88
C46082	84	ETC4880	96	MRC4473	58
CN100508	63	ETC4996	65	MRC4522	121
CR120081L	105	ETC5064	65	MRC4619	58
CR120081L	107	ETC5065	65	MRC4981	18
CRC2131	45	ETC5182	105	MRC4982	18
CZK619L	49	ETC5182	107	MRC5049	18
CZK6473	50	ETC5183	105	MRC5050	18
CZK6486	50	ETC5183	107	MRC5063	58
DRC1820	74	ETC5348	97	MRC5153	18
DRC1820	85	ETC5389	70	MRC5314	103
ERC5600	68	ETC5399	70	MRC5525	35
ERC5600	92	ETC5646	96	MRC5525	120
ERC5708	92	ETC5672	65	MRC5527	25
ERC5709	92	ETC5674	65	MRC5527	44
ERC5913	97	ETC5680	70	MRC5528	40
ERC5923	97	ETC5892	68	MRC5528	113
ERC6479	65	ETC5892	92	MRC6019	18
ERC6860	66	ETC6630	105	MRC6027	12
ERC6886	72	ETC6630	107	MRC6028	12
ERC7295	65	ETC6631	105	MRC6634	9
ERC7312	92	ETC6631	107	MRC6635	9
ERC7530	96	FRC3412	61	MRC6860	9
ERC7834	92	FRC4183	62	MRC6867	9
ERC7940	96	FRC4184	62	MRC7281	53
ERC9174	92	FRC4718	126	MRC7623	77
ERC9199	65	FRC4719	126	MRC7626	43
ERC9201	65	FRC4990	62	MRC8094	15
ERC9404	65	FRC4991	62	MRC8378	49
ERC9476N	7	FRC6690	61	MRC8388	16
ERC9669	96	FRC6691	61	MRC8420	123
ERC9706	96	FRC7600	61	MRC8444	30
ERC9707	96	FRC8260N	60	MRC8444	35
ERC9819	65	FRC8390	63	MRC8445	30
ETC4021	97	FRC8391	63	MRC8491	121
ETC4022	97	FRC8860N	61	MRC8499	119

# NUMERICAL INDEX

PART NO	PAGE	PART NO	PAGE	PART NO	PAGE
MRC8736	12	MTC4111	36	MTC6504	122
MRC9006	30	MTC4188	41	MTC6505	30
MRC9006	35	MTC4290	36	MTC6505	35
MRC9007	30	MTC4290	42	MTC6505	122
MRC9043	121	MTC4313	82	MTC6506	30
MRC9377	123	MTC4400	109	MTC6506	35
MRC9378	123	MTC4570	58	MTC6506	122
MRC9416	30	MTC4581	24	MTC6507	30
MRC9416	35	MTC4583	24	MTC6507	35
MRC9417	30	MTC4584	24	MTC6507	122
MRC9417	35	MTC5081	121	MTC6508	30
MRC9423	121	MTC5171	13	MTC6508	35
MRC9431	30	MTC5172	13	MTC6508	122
MRC9438	18	MTC5394	43	MTC6509	30
MRC9481	112	MTC5395	43	MTC6509	35
MRC9492	112	MTC5516	19	MTC6509	122
MRC9493	112	MTC5519	19	MTC6542	113
MRC9603	25	MTC5525	18	MTC6543	113
MRC9619	35	MTC5760	51	MTC6568	42
MRC9627	16	MTC6006	51	MTC6858	30
MRC9632	16	MTC6007	51	MTC7252	24
MRC9668	53	MTC6115	82	MTC7549	31
MRC9669	53	MTC6194	51	MTC7550	31
MRC9778	77	MTC6206	31	MTC7611	31
MRC9904	18	MTC6207	31	MTC7617	31
MRC9905	18	MTC6208	31	MTC7622	31
MRC9922	51	MTC6209	31	MTC7737	51
MRC9939	49	MTC6210	31	MTC7861	15
MRC9940	49	MTC6211	31	MTC7878	17
MRC9998	49	MTC6214	31	MTC7879	17
MTC1604	26	MTC6215	31	MTC7980	11
MTC1605	26	MTC6221	31	MTC7981	11
MTC1682	57	MTC6222	31	MTC8840	31
MTC2103	75	MTC6223	31	MTC8841	31
MTC2134	13	MTC6224	31	MTC8983	11
MTC2135	13	MTC6266	31	MTC9773	24
MTC2805	51	MTC6267	31	MUC1028	30
MTC2864	22	MTC6276	31	MUC1029	30
MTC3203	42	MTC6277	31	MUC1030	30
MTC3469	34	MTC6278	31	MUC1030	35
MTC3476	43	MTC6279	31	MUC1031	30
MTC3509	15	MTC6304	31	MUC1324	44
MTC3594	58	MTC6382	53	MUC1520	111
MTC3598	58	MTC6448	113	MUC1982	31
MTC3611	106	MTC6456	39	MUC1983	31
MTC3611	108	MTC6503	30	MUC2417	49
MTC3692	109	MTC6503	35	MUC2419	49
MTC3693	109	MTC6503	122	MUC2594	22
MTC3694	109	MTC6504	30	MUC3302	11
MTC4049	121	MTC6504	35	MUC3303	11

# NUMERICAL INDEX

PART NO	PAGE	PART NO	PAGE	PART NO	PAGE
MUC3530	109	NH106041L	9	NRC4853	29
MUC3531	109	NH106041L	12	NRC4854	29
MUC3566	43	NH106041L	18	NRC4967	116
MUC3733	22	NH106041L	30	NRC5485	104
MUC3746	31	NH106041L	35	NRC6058	47
MUC3822	26	NH106041L	40	NRC6306	52
MUC3823	26	NH106041L	41	NRC6307	52
MUC3906	109	NH106041L	42	NRC6308	52
MUC3958	11	NH106041L	43	NRC6309	52
MUC3962	11	NH106041L	44	NRC6418	52
MUC3963	11	NH106041L	49	NRC6419	52
MUC3964	11	NH106041L	52	NRC6420	52
MUC4042	24	NH106041L	91	NRC6421	52
MUC4043	24	NH106041L	95	NRC6422	52
MUC4061	24	NH106041L	103	NRC6515	46
MUC4297	111	NH106041L	113	NRC6799	106
MUC4471	38	NH106041L	116	NRC6799	108
MUC4474	38	NH106041L	120	NRC7458	95
MUC4477	38	NH106044	113	NRC7459	95
MUC4481	38	NH108041L	12	NRC7741	95
MUC4486	38	NH108041L	19	NRC7768	104
MUC4524	25	NH108041L	25	NRC7869	47
MUC4544	38	NH108041L	37	NRC8103	94
MUC4545	38	NH108041L	41	NRC8323	28
MUC4830	43	NH108041L	45	NRC8332	106
MUC4831	43	NH108041L	91	NRC8332	108
MUC4994	42	NH108041L	118	NRC8333	106
MUC6400	42	NH108041L	120	NRC8333	108
MUC6917	42	NH110041L	19	NRC8462	94
MUC8730	41	NH110041L	20	NRC8502	108
MUC8731	41	NH110041L	29	NRC8503	106
MUC8736	40	NH110041L	31	NRC8507	98
MUC8737	40	NH110041L	45	NRC8508	98
MUC8738	40	NH110041L	104	NRC8618	98
MUC8739	40	NH112041L	28	NRC8690	45
MUC8740	40	NH605041L	18	NRC8734	106
MUC8741	40	NH605041L	32	NRC8734	108
MUC8746	40	NH605041L	44	NRC8886	47
MUC8748	41	NH605041L	100	NRC8955	99
MUC8759	41	NM105011	17	NRC9169	47
MUC8949	12	NM105011	43	NRC9233	47
NA105011L	75	NN105021	119	NRC9238	99
NH104041L	41	NN106011L	98	NRC9246	126
NH104041L	77	NN108011L	49	NRC946	126
NH105041L	9	NRC1362	52	NS106011L	25
NH105041L	36	NRC2051	28	NTC1077	47
NH105041L	50	NRC4665	47	NTC1725	104
NH105041L	58	NRC4708	20	NTC2029	67
NH105041L	91	NRC4709	20	NTC2655	55
NH105041L	113	NRC4772	45	NTC2757	54

# NUMERICAL INDEX

PART NO	PAGE	PART NO	PAGE	PART NO	PAGE
NTC2768	104	RA608177L	38	RRC3661	110
NY106041L	8	RA608236L	16	RRC3664	34
NY106041L	24	RA612183L	58	RRC3668	115
NY106041L	25	RA612373L	13	RRC3674	8
NY106041L	120	RA612373L	25	RRC3683	56
NY108041L	58	RF608041L	82	RRC3684	56
NY110041L	10	RR612063L	40	RRC3750	99
NY112041L	41	RR612103L	25	RRC3760	99
NY112041L	70	RRC1704	110	RRC3761	121
PC108241	32	RRC1726	110	RRC3801	110
PRC1552	88	RRC1882	110	RRC3802	110
PRC1824	121	RRC1883	110	RRC3803	110
PRC1825	121	RRC1892	110	RRC3804	110
PRC2078	82	RRC1893	110	RRC3805	110
PRC2079	82	RRC1894	110	RRC3815	103
PRC2080	82	RRC1908	110	RTC1360	69
PRC2239	78	RRC1909	110	RTC1843	79
PRC2239	85	RRC1994	119	RTC1884	80
PRC2258	119	RRC2094	27	RTC1885	79
PRC2268	76	RRC2258	119	RTC1886	80
PRC2278	78	RRC2615	119	RTC1919	80
PRC2278	83	RRC2652	110	RTC2665	89
PRC3115	90.1	RRC2662	119	RTC2666	89
PRC3170	90	RRC2671	27	RTC3022	30
PRC3222	116	RRC2713	82	RTC3022	35
PRC3284	75	RRC2714	82	RTC3022	122
PRC3832	88	RRC2742	119	RTC3072	92
PRC3875	83	RRC2821	27	RTC3111	96
PRC3900	83	RRC2919	19	RTC3215	71
PRC4287	71	RRC2920	19	RTC3354	104
PRC4372	90.1	RRC2921	19	RTC3458	63
PRC5253	69	RRC2922	19	RTC3519	62
PRC5263	84	RRC2924	25	RTC3684	125
PRC5269	84	RRC2925	25	RTC3745	82
PRC5410	82	RRC3216	121	RTC3764	111
PRC5477	75	RRC3217	121	RTC3826	62
PRC5478	75	RRC3237	10	RTC3892	86
PRC5483	75	RRC3338	26	RTC3892	87
PRC5485	74	RRC3339	26	RTC3893	86
PRC5491	75	RRC3453HE	82	RTC3893	87
PRC5492	73	RRC3524	49	RTC4676	7
PRC5494	76	RRC3525	49	RTC4678	86
PRC5590	74	RRC3544	119	RTC4679	87
PRC5811	76	RRC3548	117	RTC4681	86
PS102081	106	RRC3573	120	RTC4681	87
PS102081	108	RRC3574	19	RTC4682	86
PS103101	32	RRC3582	82	RTC4682	87
PS106161L	77	RRC3588	8	RTC4868	69
PS106201	47	RRC3636	120	RTC4869	69
PS612080L	40	RRC3637	120	RTC4870	69

# NUMERICAL INDEX

PART NO	PAGE	PART NO	PAGE	PART NO	PAGE
RTC4871	69	SE108251	37	SH108201L	19
RTC4872	69	SE108501	37	SH108201L	65
RTC4873	69	SE110401L	109	SH108201L	96
RTC4874	69	SE808244L	51	SH108251L	25
RTC4875	69	SF105251L	88	SH108251L	41
RTC4876	69	SF106161L	21	SH108251L	65
RTC4877	69	SF106201L	111	SH108251L	96
RTC4878	69	SG103084L	51	SH108351L	120
RTC4879	69	SH105121L	9	SH110201L	19
RTC4880	69	SH105121L	65	SH110251L	104
RTC4881	69	SH105161L	9	SH110301L	19
RTC4882	69	SH105161L	58	SL104101L	88
RTC4883	69	SH105161L	103	SL106121L	116
RTC4884	69	SH105251L	91	SP104101L	77
RTC4885	69	SH106101L	41	SP104121L	41
RTC4886	69	SH106121L	95	SP105121	17
RTC4888	71	SH106124	113	SP105121	119
RTC5011	73	SH106141L	97	SP106451L	25
RTC601	18	SH106141L	103	SR106201L	25
RTC608	115	SH106161L	9	SS108404	109
RTC609	18	SH106161L	18	SX108251	12
RTC610	49	SH106161L	24	UTP1126	51
RTC615	115	SH106161L	30	UTP1267	50
RU612183L	117	SH106161L	42	UTP1268	50
RU612253	12	SH106161L	49	WA105001L	9
RU612253L	13	SH106161L	91	WA105001L	43
RU612253L	16	SH106161L	95	WA105001L	50
RU612253L	17	SH106161L	98	WA105001L	51
RU612253L	25	SH106161L	120	WA105001L	53
RU612253L	33	SH106201L	12	WA105001L	58
RU612253L	38	SH106201L	18	WA105001L	74
RU612253L	40	SH106201L	24	WA105001L	91
RU612253L	41	SH106201L	30	WA105001L	113
RU612253L	102	SH106201L	32	WA105004L	51
RU612373L	12	SH106201L	35	WA106041	75
RU612373L	41	SH106201L	38	WA106041L	9
RU612373L	113	SH106201L	42	WA106041L	12
SA106161	35	SH106201L	44	WA106041L	18
SA106251	35	SH106201L	65	WA106041L	32
SE105161L	36	SH106201L	91	WA106041L	38
SE105161L	51	SH106201L	116	WA106041L	42
SE105251L	113	SH106201L	120	WA106041L	49
SE105251L	115	SH106204	39	WA106041L	65
SE106121L	65	SH106251L	9	WA106041L	91
SE106121L	78	SH106251L	35	WA106041L	92
SE106161L	30	SH106251L	52	WA106041L	95
SE106161L	35	SH108161L	44	WA106041L	97
SE106164	113	SH108161L	49	WA106041L	120
SE106201L	12	SH108161L	91	WA108051L	12
SE106201L	113	SH108201L	12	WA108051L	19

# NUMERICAL INDEX

PART NO	PAGE	PART NO	PAGE	PART NO	PAGE
WA108051L	25	WL105001L	58	WM600051L	37
WA108051L	32	WL105001L	91	WM600051L	44
WA108051L	41	WL105001L	103	WM600051L	100
WA108051L	47	WL106001	119	WM600081L	100
WA108051L	65	WL106001L	9	WM600081L	101
WA108051L	91	WL106001L	12	WM702001L	115
WA108051L	96	WL106001L	18	WP185L	44
WA108051L	105	WL106001L	25	WS600061L	77
WA108051L	107	WL106001L	30	WS600091L	40
WA108051L	118	WL106001L	32		
WA108051L	119	WL106001L	35		
WA108051L	120	WL106001L	40		
WA108054	109	WL106001L	41		
WA110061L	19	WL106001L	42		
WA110061L	20	WL106001L	43		
WA110061L	29	WL106001L	44		
WA112081L	41	WL106001L	49		
WA112081L	47	WL106001L	52		
WA112081L	70	WL106001L	91		
WA600091L	40	WL106001L	92		
WA702101L	65	WL106001L	95		
WB106041L	43	WL106001L	98		
WB108051L	58	WL106001L	103		
WC104001L	41	WL106001L	113		
WC105001L	17	WL106001L	116		
WC105001L	106	WL106001L	120		
WC105001L	108	WL106004L	39		
WC105001L	119	WL106004L	113		
WC106041	119	WL108001L	12		
WC106041L	24	WL108001L	19		
WC106041L	91	WL108001L	25		
WC106041L	103	WL108001L	44		
WC108051L	44	WL108001L	45		
WC108051L	111	WL108001L	47		
WC110061L	10	WL108001L	49		
WC110061L	31	WL108001L	65		
WC110061L	104	WL108001L	91		
WC702101L	100	WL108001L	96		
WC702101L	113	WL108001L	118		
WD112081L	58	WL108001L	119		
WE106001	119	WL108051L	120		
WF106001L	78	WL110001L	19		
WF108004	109	WL110001L	20		
WF600051L	12	WL110001L	29		
WL104001L	77	WL110001L	31		
WL105001L	9	WL110001L	45		
WL105001L	17	WL110001L	77		
WL105001L	36	WL110001L	104		
WL105001L	43	WM106001L	18		
WL105001L	50	WM600051L	18		

